

Explosion-proof Linear LED



UL rated for hazardous and wet locations

Marine grade components for superior corrosion resistance

For use in hazardous locations such as chemical plants, drilling rigs, refineries and paint spray booths

Available in two and four foot lengths

LED technology increases efficiency, eliminates maintenance and supports green initiatives

Key Applications

Wet and hazardous locations
Offshore drilling platforms
Land-based drilling rigs
Chemical plants and transportation
Refineries
Paint spray booths
Engine and electrical rooms
Machine rooms
Interior and exterior deck lighting
Emergency lighting

Compliances

UL/cUL Listed to:

- UL 1598 Suitable for Wet Locations
- UL 1598A Marine Outside Type (Saltwater)
- UL 844 Hazardous Location
 - Class I, Division 1 Groups C & D
T6, 85°C maximum surface temperature
 - Class II, Division 1 Groups E, F & G
T3B, 165°C maximum surface temperature
 - Class III
- UL 924 Emergency Lighting Equipment
- CSA C22.2 No. 250.0
- CUL harmonized standard for UL924

Buy American Act (BAA)

Specifications

Construction	Marine grade, low-copper content aluminum housing
Hardware	Stainless steel
Light source	Light emitting diodes (LED) Cool white (5000K), neutral white (4000K), and warm white (3000K) 2 foot - up to 4200 lumens (40W) 4 foot - up to 8400 lumens (80W) CRI > 80 50,000 hour rated life
Power source	120-277V, 50/60Hz
Wiring	Stranded wires
EMB	Input power 120-277V, 50/60Hz 90 minute run time Only available on 4 foot model
Ambient operating temperature	-20°C to +40°C
Aiming	Allows for horizontal axis aiming Able to aim 20° in either direction
Mounting	Adjustable mounting feet (included)
Estimated fixture weight	2 foot - 35.0 lb (16.0 kg) 4 foot - 42.0 lb (19.0 kg) 4 foot with EMB - 63.0 lb (28.5 kg)
Warranty	3 years

For IES files, see website or contact factory



This product complies with domestic preference requirements such as BAA or TAA. For additional information, visit phoenixlighting.com or consult your representative.

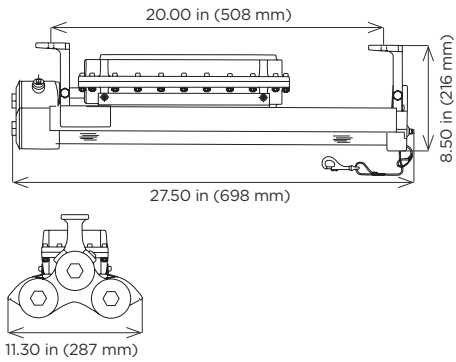
LFXB LED Series

Explosion-proof Linear LED

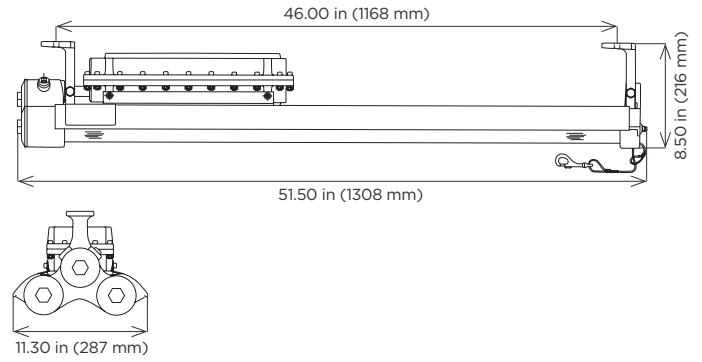
PHOENIX[®]
DURABILITY X DESIGN™

Dimensions

2 foot



4 foot



Ordering Information

Example: LFXB-LED-4-CW

Fixture	Type	Length	CCT	Options
LFXB-LED	LED	2	CW	EMB ¹
		4	NW	
			WW	

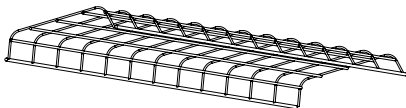
Length	CCT	Options
2 2 foot	CW	Cool white (5000K) LEDs
4 4 foot	NW	Neutral white (4000K) LEDs
	WW	Warm white (3000K) LEDs
		EMB ¹ Emergency battery backup

Notes

- 1 Only available on 4 foot model

Special Projects: We may be able to accommodate your special projects, so please don't hesitate to ask about additional options. Minimum order quantities and/or extended lead times will apply. Contact your Phoenix representative with specific inquiries.

Accessories



Wire Lens Guard

- WG-B2 (2 foot units)
- WG-B4 (4 foot units)