

LED Snaplight® & Retrofit Tray

Designed to upgrade linear fluorescent fixtures
Vibration-resistant for demanding applications
Superior corrosion resistance
LED technology increases efficiency, eliminates maintenance and supports green initiatives



Key Applications

Exterior and interior decks
Exterior wet locations
Maintenance rooms
Holding areas
Machine houses
Electrical and engine rooms
Wash down areas
Emergency lighting
Parking garages
Stairwells

Compliances

UL/cUL Listed to:

- UL 1598 Suitable for Wet Locations
- UL 1598C LED Retrofit Conversion (retrofit kits only)
- CSA C22.2 No. 250.0-08

UL Listed to:

- UL 1598A Marine Outside Type (Saltwater)
- UL 924 Emergency Lighting Equipment

ABS

IP65 (4ft model only)

IP66 (2ft model only)

IP67 (2ft model only)

CE

FCC Part 15, Subpart B, Class A standards for conducted and radiated emissions.

Buy American Act (BAA)

Build America Buy America Act (BABA) (2ft model only)



This product complies with domestic preference requirements such as BABA. For additional information, visit phoenixlighting.com or consult your representative.



This product complies with domestic preference requirements such as BAA or TAA. For additional information, visit phoenixlighting.com or consult your representative.

Specifications

Construction	Corrosion-free, high impact, glass reinforced, UV-stabilized nylon housing
Hardware	Captive and non-magnetic stainless steel external hardware
Lens	High-impact polycarbonate, matte finish Tethered to housing
Light source	2 foot fixture - up to 3700 lumens (29W) 4 foot fixture - up to 6400 lumens (49W) CRI > 80 Cool white 5000K (50K) or neutral white 4000K (40K) LED options Field adjustable light output (see dimming level chart) Switchable red (RED) and blue (BLU) LED options L80 > 100,000 hours
Power source	120-277V, 50/60Hz 347-480V, 50-60Hz 0-10V dimming capable (standard)
Wiring	¾ inch NPT threaded conduit openings on both ends Threaded plug and cable gland provided
EMB	Input power 120-277, 50/60Hz Minimum 120 minute run time (EMB2) Minimum 240 minute run time (EMB4)
Ambient operating temperature	-40°C to +55°C (2ft standard) -40°C to +40°C (4ft standard) 0°C to +40°C (all EMB models)
Retrofit kit	Internal driver tray complete with LED and driver Retrofits into Phoenix LFSB and LFW fixtures
Warranty	3 years

For IES files, see website or contact factory

ReadiLED™ Series

LED Snaplight® & Retrofit Tray

Dimming Levels (RLED-2)

RLED-2	Watts	Estimated Lumens
Position 1	29	3700
Position 2	23	3000
Position 3	13	1600
Position 4	7	700

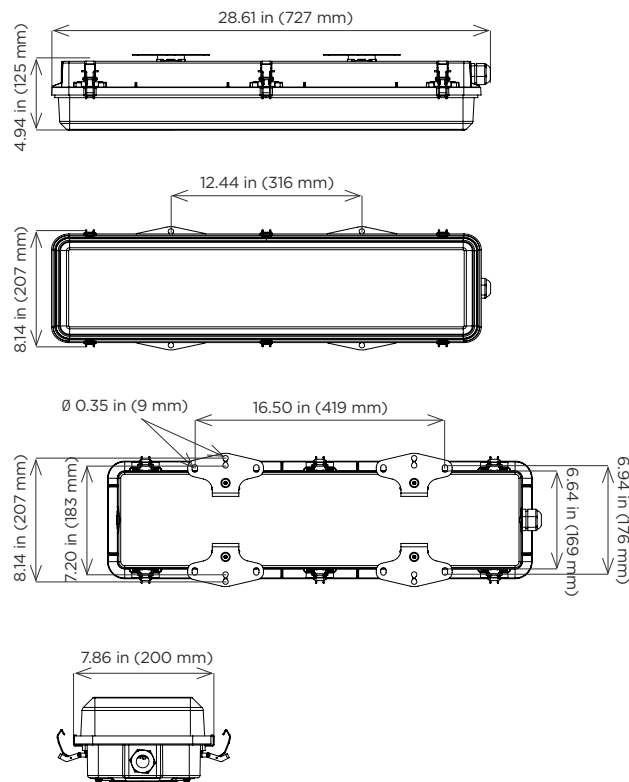
Dimming Levels (RLED-4)

RLED-4	Watts	Estimated Lumens
Position 1	49	6400
Position 2	39	5000
Position 3	19	2500
Position 4	8	900

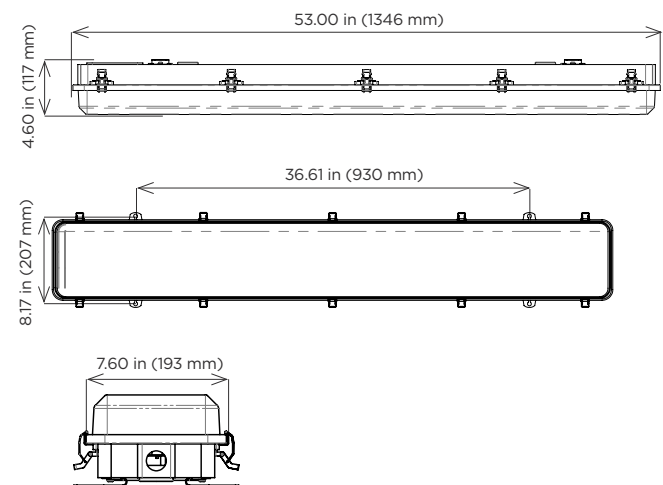
Note: Lumen output estimates for standard white 40K / 50K only. White with switchable color RED / BLU option will be 10% higher.

Dimensions

2 Foot



4 Foot



Ordering Information

Example: RLED-2-DF-40K-RED-EMB4

Fixture	Size	Lens ⁵	Color Temperature	Voltage ⁶	Switchable Color	Options
RLED	2	DF	40K	HV ¹	RED ^{1,3}	EMB2 ^{2,3}
RLED-RFK ^{1,3,4}	4 ³		50K		BLU ^{1,3}	EMB4 ^{1,2,3}

Fixture	Size	Lens ⁵	Color Temperature
RLED	ReadiLED fixture	2 2 foot	40K 4000K LEDs
RLED-RFK ^{1,3,4}	ReadiLED retrofit kit	4 ³ 4 foot	50K 5000K LEDs

Voltage ⁶	Switchable Color	Options
HV ¹ 347-480V AC, 50/60Hz	RED ^{1,3} Ability to switch from white (4000K) to red light BLU ^{1,3} Ability to switch from white (4000K) to blue light	EMB2 ^{2,3} Emergency battery backup (120 minutes) EMB4 ^{1,2,3} Emergency battery backup (360 minutes)

Notes

- 1 Not CE certified
- 2 Meets Coast Guard Subchapter M requirements 140.410 for Emergency Shipboard Lighting.
- 3 Not available with HV - 347-480V high voltage driver option.
- 4 Retrofit kit provided with internal LED/ driver tray only (no housing or lens).
- 5 Leave blank for retrofit kit models as no lens is supplied.
- 6 Leave blank for standard 120-277V AC, 50/60Hz, universal voltage input.

Special Projects: We may be able to accommodate your special projects, so please don't hesitate to ask about additional options. Minimum order quantities and/or extended lead times will apply. Contact your Phoenix representative with specific inquiries.