

## LED Snaplight® & Retrofit Tray

Designed to upgrade linear fluorescent fixtures  
 Vibration-resistant for demanding applications  
 Superior corrosion resistance  
 LED technology increases efficiency, eliminates maintenance and supports green initiatives



### Key Applications

Exterior and interior decks  
 Exterior wet locations  
 Maintenance rooms  
 Holding areas  
 Machine houses  
 Electrical and engine rooms  
 Wash down areas  
 Emergency lighting  
 Parking garages  
 Stairwells

### Compliances

UL/cUL Listed to:

- UL 1598 Suitable for Wet Locations
- UL 1598C LED Retrofit Conversion (retrofit kits only)
- CSA C22.2 No. 250.0-08

UL Listed to:

- UL 1598A Marine Outside Type (Saltwater)
- UL 924 Emergency Lighting Equipment

ABS

IP65

IP67K (2 foot only, pending)

CE

FCC Part 15, Subpart B, Class A standards for conducted and radiated emissions.

### Specifications

<b>Construction</b>	Corrosion-free, high impact, glass reinforced, UV-stabilized nylon housing
<b>Hardware</b>	Captive and non-magnetic stainless steel external hardware
<b>Lens</b>	High-impact polycarbonate, matte finish Tethered to housing
<b>Light source</b>	2 foot fixture - 19W, up to 2700 lumens 4 foot fixture - 38W, up to 5400 lumens CRI > 80 Cool white 5000K (50K) or neutral white 4000K (40K) 50,000 hour rated life
<b>Power source</b>	120-277V, 50/60Hz 0-10V dimming option (DIM)
<b>Wiring</b>	¾ inch NPT threaded conduit openings on both ends Threaded plug and cable gland provided
<b>EMB</b>	Input power 120-277, 50/60Hz Minimum 120 minute run time (EMB2) Approximately 880 lumens
<b>Ambient operating temperature</b>	-18°C to +40°C (standard fixture & retrofit tray) 0°C to +40°C (EMB)
<b>Retrofit kit</b>	Internal driver tray complete with LED and driver Retrofits into Phoenix LFSB and LFW fixtures and Pauluhn FPS 2172232
<b>Warranty</b>	3 year

*For IES files, see website or contact factory*

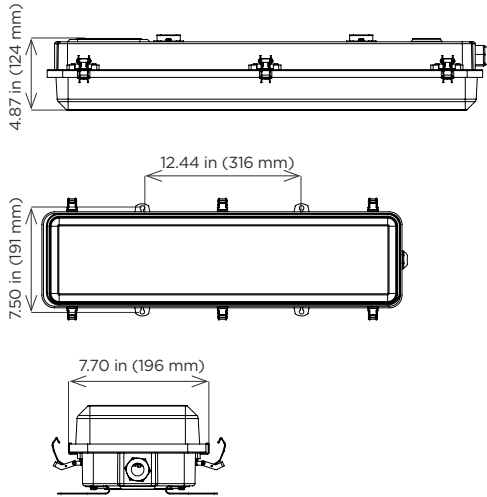
# ReadiLED™ Series

LED Snaplight® & Retrofit Tray

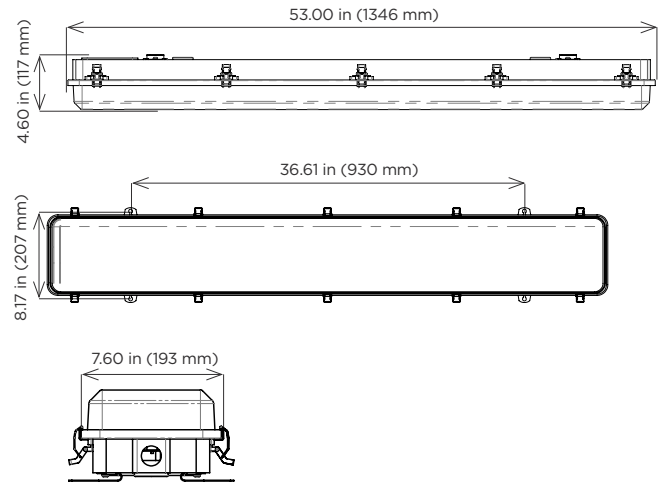
**PHOENIX**<sup>®</sup>  
DURABILITY X DESIGN™

## Dimensions

### 2 Foot



### 4 Foot



## Ordering Information

Example: RLED-4

Fixture	Size	Lens	Color Temperature	Options
RLED	2	DF	40K	EMB2 <sup>1,2</sup>
RLED-RFK <sup>1</sup>	4		50K	

Fixture	Size	Lens
RLED      ReadiLED fixture	2   2 foot	DF    diffused lens
RLED-RFK <sup>1</sup> ReadiLED retrofit kit	4   4 foot	

Color Temperature	Options
40K    4000K LEDs	EMB2 <sup>1,2</sup> Emergency battery backup
50K    5000K LEDs	

### Notes

- 1 Not CE certified
- 2 Minimum 120 minute run time. Meets Coast Guard Subchapter M requirements 140.410 for Emergency Shipboard Lighting. Sub chapter M compliant EMB not available as an option on the retrofit kit (RLED-RFK).

**Special Projects:** We may be able to accommodate your special projects, so please don't hesitate to ask about additional options. Minimum order quantities and/or extended lead times will apply. Contact your Phoenix representative with specific inquiries.