



PHOENIX[®]
DURABILITY X DESIGN™

ReadLED™ Series

LED Snaplight® & Retrofit Tray

Designed to replace linear fluorescent fixtures
Vibration-resistant for demanding applications

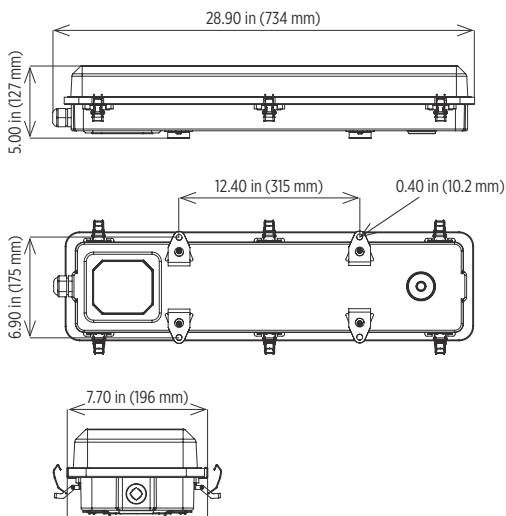
Superior corrosion resistance

LED technology increases efficiency, eliminates maintenance and supports green initiatives

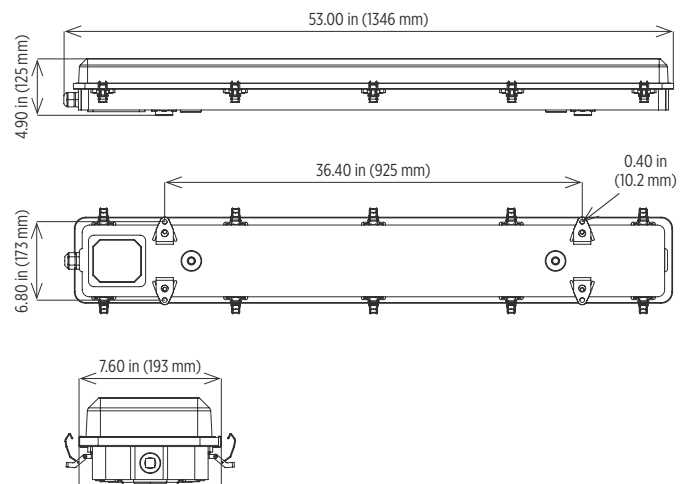


Dimensions

2 Foot



4 Foot



ReadiLED™ Series

LED Snaplight® & Retrofit Tray

PHOENIX®
DURABILITY X DESIGN™

Specifications

Construction	Corrosion-free, high impact, glass reinforced, UV-stabilized nylon housing
Hardware	Captive and non-magnetic stainless steel external hardware
Lens	High-impact polycarbonate, matte finish Tethered to housing
Light source	2 foot fixture - 19W, 1975 lumens 4 foot fixture - 38W, 3617 lumens CRI > 80 CCT 5000K 50,000 hour rated life
Power source	120-277V, 50/60Hz 0-10V dimming option (DIM)
Wiring	¾ inch NPT threaded conduit openings on both ends Threaded plug and cable gland provided
Ambient operating temperature	-18°C to +40°C (standard fixture & retrofit tray) 0°C to +40°C (EMB)
Retrofit kit	Internal driver tray complete with LED and driver Retrofits into Phoenix LFSB and LFW fixtures and Pauluhn FPS 2172232
Warranty	3 year

Contact factory for IES files

Compliances

UL/cUL Listed to:

- UL 1598 Suitable for Wet Locations
- UL 1598C LED Retrofit Conversion (retrofit kits only)
- CSA C22.2 No. 250.0-08

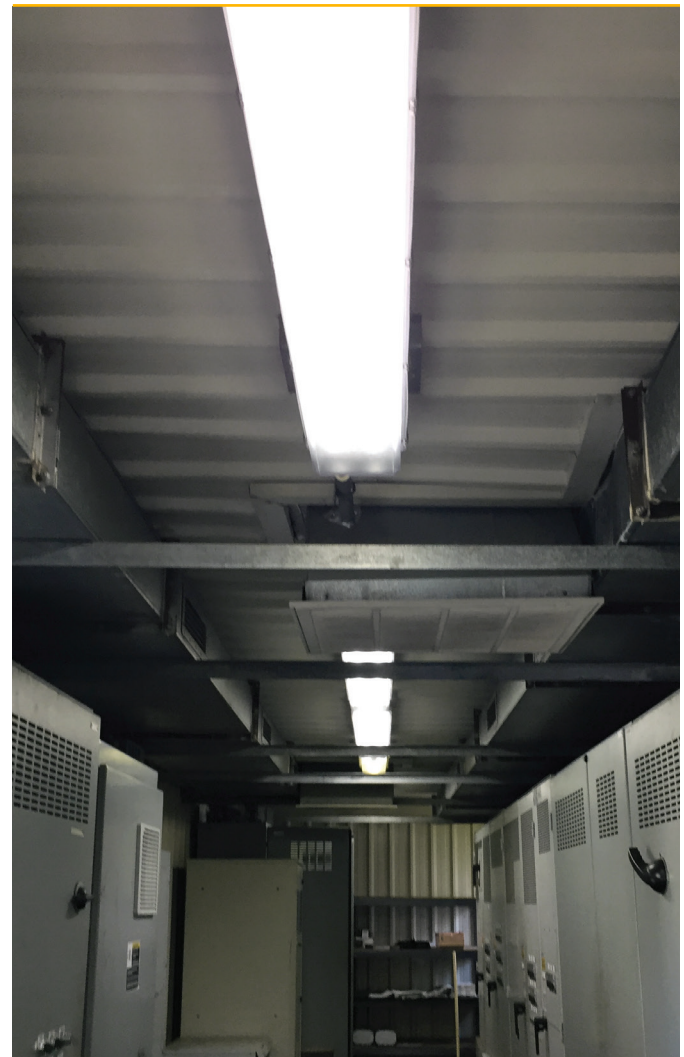
UL Listed to:

- UL 1598A Marine Outside Type (Saltwater)
- UL 924 Emergency Lighting Equipment

ABS

IP65

CE



RLED-4s in an electrical control room



Ordering Information

Example: RLED-4

Fixture	Size	Options
RLED	2	EMB ¹
RLED-RFK ^{1,2}	4	DIM

Fixture		Size		Options	
RLED	ReadiLED fixture	2	2 foot	EMB ¹	Emergency battery backup
RLED-RFK ^{1,2}	ReadiLED retrofit kit	4	4 foot	DIM	Dimmable (0-10V)

Notes

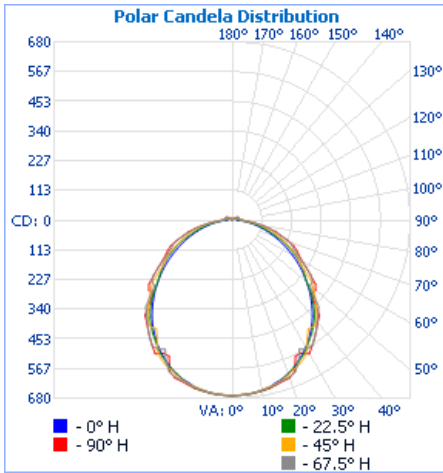
- 1 Not CE certified
- 2 Not ABS certified

Special Projects: We may be able to accommodate your special projects, so please don't hesitate to ask about additional options. Minimum order quantities and/or extended lead times will apply. Contact your Phoenix representative with specific inquiries.

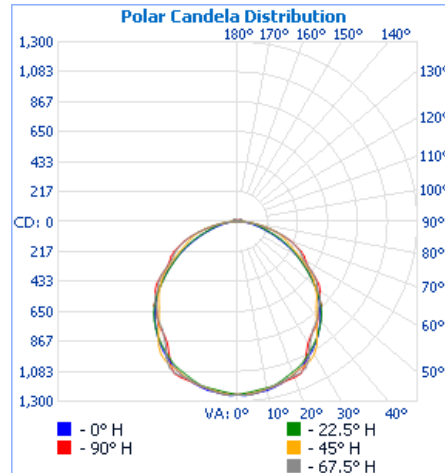


Photometrics

RLED-2



RLED-4



Cover photo: RLED-4s in an electrical control room

Product design and specifications are subject to change without notice. The most current version of this specification sheet can be found on our website: www.phoenixlighting.com.