



Premium fixture enhances productivity, safety and security
 Designed to withstand the world's harshest environments
 500 model delivers up to 80,000 lumens and replaces 1000W HID fixtures
 250 model delivers up to 40,000 lumens and replaces 400W HID fixtures
 High efficacy lighting with greater than 140 lumens per watt

Key Applications

- Large area high mast
- Roadway high mast
- Shipyards high mast
- Container yard high mast
- Hangar lighting
- Aviation ramps and aprons
- Prison large areas
- Military bases
- Industrial facilities

Compliances

- CE
- SAA AS/NZS 60598.2.5
- IP66 (without twist-lock receptacle)

Specifications

Construction	High strength, AL5052 aluminum Built-in, adjustable visor (optional - GG)
Finish	Weather-resistant powder coat
Hardware	Marine grade stainless steel
Light source	Premium LED modules 250 model, up to 265W and 40,000 lumens 500 model, up to 530W and 80,000 lumens CCT: Cool white (5000K), neutral white (4000K), warm white (3000K) UV-resistant, polycarbonate lens
Lifetime	50,000 hours at up to 45°C 100,000 hours at up to 35°C
Power source	90 - 305 VAC, 50-60 Hz (120-240V) Waterproof to IP67 20kV/10kA surge protection
Power factor	> 0.9 at 277V
Ambient operating temperature	-40°C to +45°C
Mounting	Trunnion mount (standard); 5° indexed aiming Pipe mount (optional) accommodates DN 51 mm (60 mm OD)
Fixture weight	250 model - 14.1 kg (31 lb) 500 model - 17.9 kg (39.5 lb)
EPA (wind load)	250 model - 0.09 m ² (0.96 sq. ft.) 500 model - 0.11 m ² (1.21 sq. ft.)
Warranty	5 years

For IES files, see website or contact factory

Meridian Series

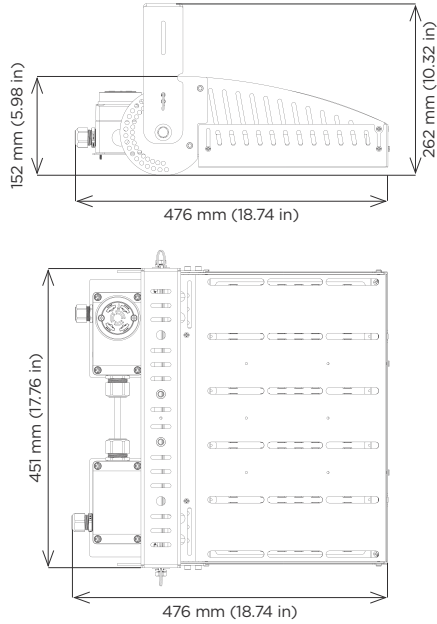
High Mast & Area LED Floodlight

PHOENIX[®]
DURABILITY X DESIGN™

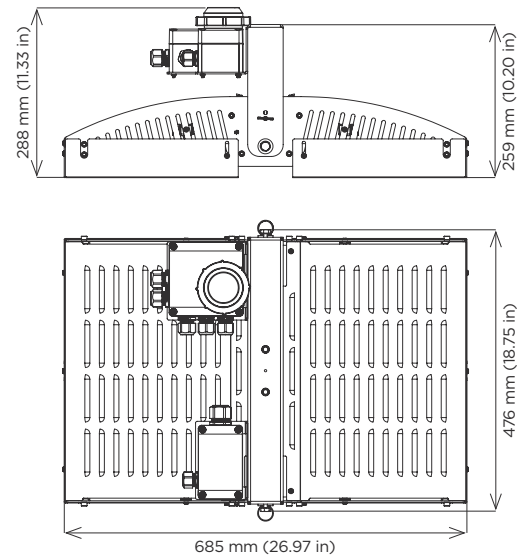
Dimensions

Note: Models shown with twist-lock receptacle option.

250 Model

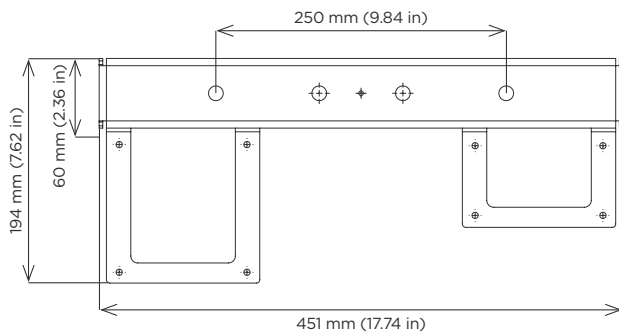


500 Model



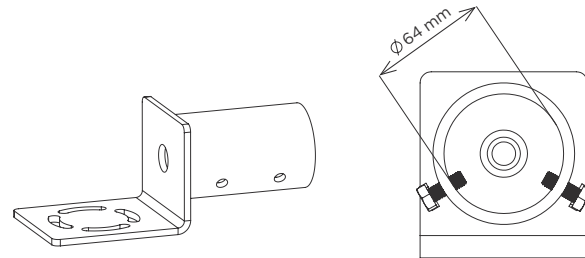
Mounting

Trunnion Mount (standard)



Pipe Mount Kit

PM



Ordering Information

Example: MER-250-LT-120-240-NW-PM¹

Fixture	Model	Optic	Voltage	CCT ²	Options
MER	250	LT	120-240 ³	CW	PM
	500	LQ		NW	GG
		LR		WW	TR ^{1,4,5}
		LZ			
		LV			
		LX			

Model	Optic	Voltage	CCT ²
250 Up to 265W and 40,000 lumens	LT Narrow spot	120-240 ³ 120-240V, 50-60Hz	CW Cool white LEDs (5000K)
500 Up to 530W and 80,000 lumens	LQ Medium spot		NW Neutral white LEDs (4000K)
	LR Wide spot		WW Warm white LEDs (3000K)
	LZ Type II		
	LV Type IV		
	LX Type V		

Options

PM	Pipe mount, accommodates DN 51 mm (60 mm OD)
GG	Glare guard
TR ^{1,4,5}	Twist-lock receptacle (required for Synapse [®] Lighting Controller)

Notes

- 1 TR comes standard with shorting cap
- 2 Additional color temperatures available upon request
- 3 Additional voltages available upon request
- 4 IP63 with control node receptacle
- 5 Dimming when using Synapse[®] TL7 Controller

Special Projects: We may be able to accommodate your special projects, so please don't hesitate to ask about additional options. Minimum order quantities and/or extended lead times will apply. Contact your Phoenix representative with specific inquiries.

Accessories (order separately)

Twist-lock Photocontrol

KIT, HM-PC-120 (120-277V)
KIT, HM-PC-480 (480V only)

Synapse[®] Twist-lock Lighting Controller

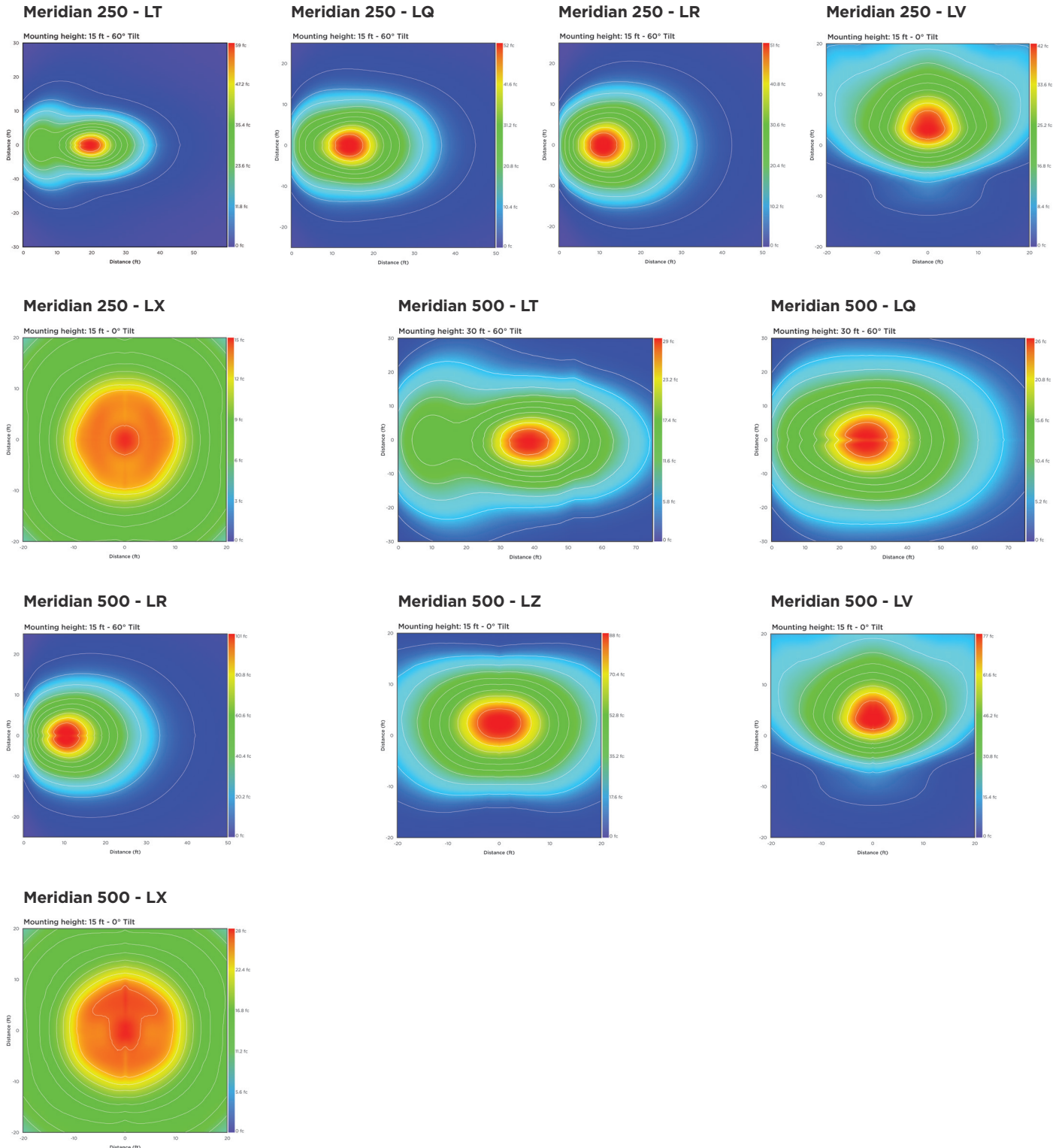
SYN-TL7-HVG (120-480V)

Meridian Series

High Mast & Area LED Floodlight

Isolux Charts

Charts shown reflect cool white LEDs.



Product design and specifications are subject to change without notice. The most current version of this specification sheet can be found at www.phoenixlighting.com.