

## High Mast LED Floodlight



Designed for superior high mast or perimeter lighting  
 Exceptional lumen performance for effective long-distance lighting  
 Adjustable mounting bracket and rotational capability for accurate and uniform lighting coverage with maximum glare control

LED technology increases efficiency, eliminates maintenance and supports green initiatives

### Key Applications

Large Area Lighting  
 Perimeter Lighting  
 Sports Fields  
 Prisons & Correctional Facilities  
 Ports & Intermodal Facilities  
 Military Bases  
 Commercial & Military Airports

### Compliances

UL/cUL Listed to:  
 • UL 1598 Suitable for Wet Locations  
 IP66  
 IK08  
 FCC Part 15 Class A  
 CE

### Specifications

<b>Construction</b>	Low copper content die-cast aluminum housing
<b>Finish</b>	Thermoset powder coat in gray, 1000Hr Salt Fog tested per ASTM B117
<b>Hardware</b>	Marine grade 316 stainless steel

### Specifications

<b>Light source</b>	Up to 85,000 lumens (600W) up to 138,000 lumens (1000W) CRI>70 CCT: Warm white (3000K), neutral white (4000K), cool white (5000K), super cool white (5700K)
<b>Lens</b>	Polycarbonate lens with tempered glass Visor accessory optional
<b>Driver</b>	120-277VAC 50/60Hz or 277-480VAC 50/60Hz, 0-10V dimmable
<b>Power factor</b>	>0.95
<b>THD</b>	<15%
<b>Surge protection</b>	20kV ultra low EMI
<b>Ambient operating temperature</b>	-40°C to +40°C
<b>Operating lifetime</b>	L90 > 50,000 hrs at 25°C
<b>Controls</b>	0-10V (standard)
<b>Mounting</b>	Heavy-duty harp Remote driver mounting capability - optional
<b>Dimensions</b>	600W - 24.52 in (623 mm) x 14.51 in (369 mm) x 27.97 in (710 mm) includes visor 1000W - 24.52 in (623 mm) x 24.45 in (621 mm) x 30.81 in (783 mm) includes visor
<b>Weight</b>	600W - 32 lbs (14.5 kg), without driver box; 48.3 lbs (21.9 kg), with driver box 1000W - 47.3 lbs (21.5 kg) without driver box; 74.74 lbs (33.9 kg), with driver box
<b>Warranty</b>	5 years

For IES files, see website or contact factory

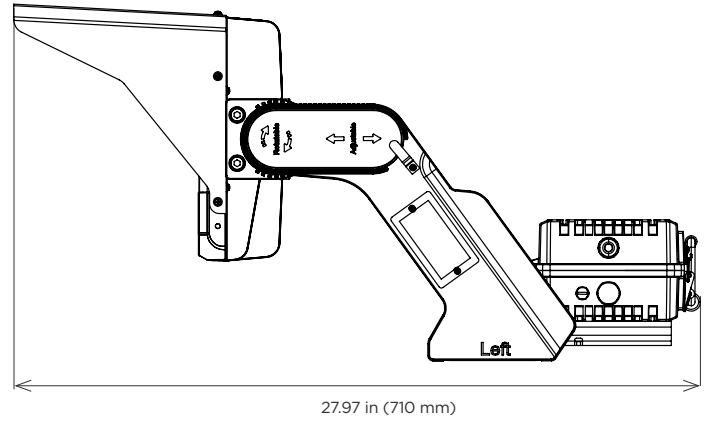
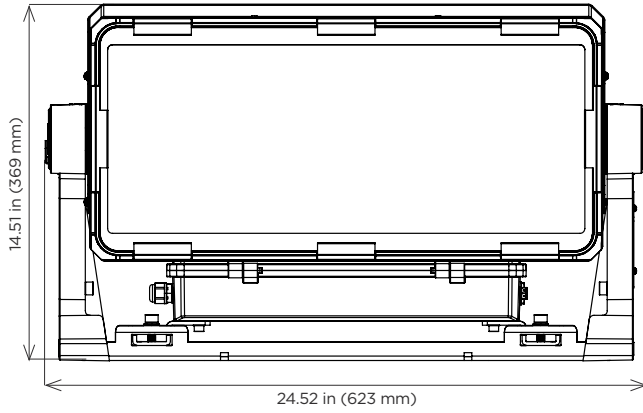
# Apex™ Series

High Mast LED Floodlight

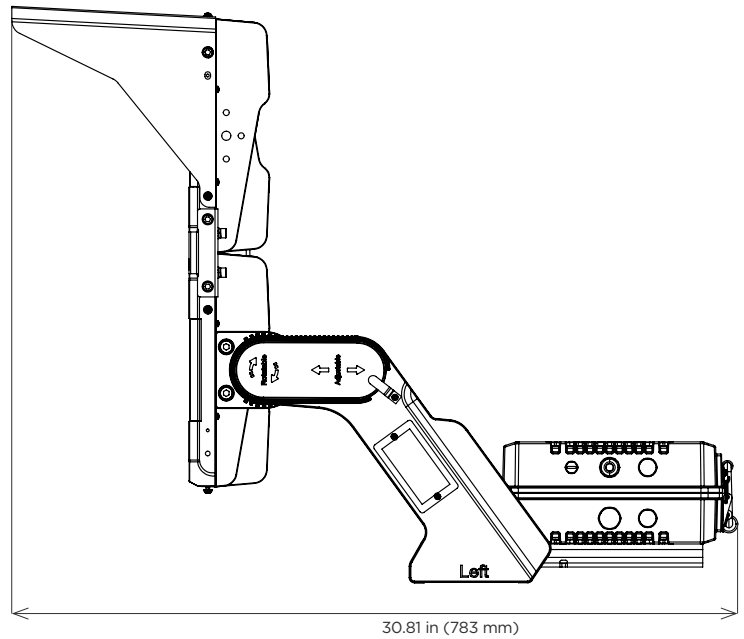
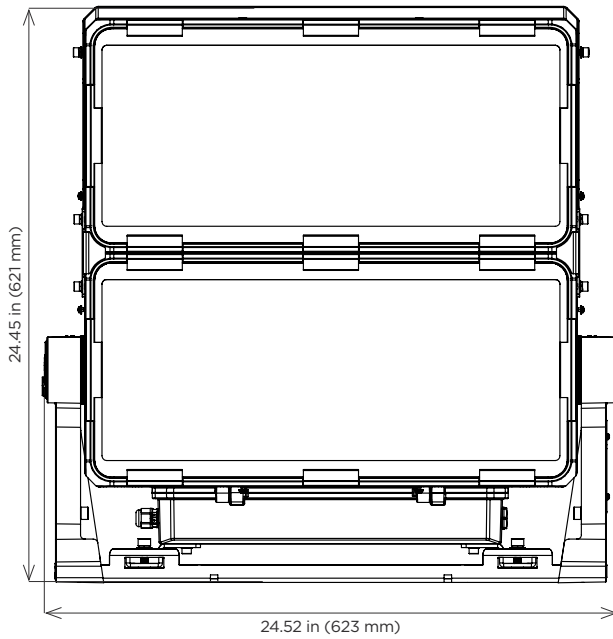
**PHOENIX**<sup>®</sup>  
DURABILITY X DESIGN™

## Dimensions

### 600W



### 1000W



### Ordering Information

**Example:** APEX-600-VS-120-277-40K-V-D

Fixture	Wattage	Optics	Voltage	CCT	Visor	Controls
APEX	600	VS	120-277	30K	V	D
	1000	WS	277-480	40K		
		WF		50K (standard)		
				57K		

#### Wattage

600 Up to 85,000 lumens (600W)  
1000 Up to 138,000 lumens (1000W)

#### Optics

VS 10 degree, NEMA 2x2  
WS 30 degree, NEMA 4x4  
WF 60 degree, NEMA 6x6

#### Voltage

120-277 120-277V,  
50-60Hz  
277-480 200-480V,  
50-60Hz

#### CCT

30K 3000K  
40K 4000K  
50K 5000K  
57K 5700K

#### Visor

V Visor  
<Blank> No visor

#### Controls

D 0-10V dimming, standard

#### Notes

1 Indicates standard option for fast delivery

**Special Projects:** We may be able to accommodate your special projects, so please don't hesitate to ask about additional options. Minimum order quantities and/or extended lead times will apply. Contact your Phoenix representative with specific inquiries.

Product design and specifications are subject to change without notice. The most current version of this specification sheet can be found at [www.phoenixlighting.com](http://www.phoenixlighting.com).