

Marine Industrial LED Floodlight



Designed to withstand moisture and corrosion found in marine and industrial installations

Lightweight design, remote driver capability helps reduce maintenance cost

Customized mounting brackets for quick and easy installation

Stainless steel bracket and hardware for maximum corrosion resistance

Max remote distance up to 300 meters (dimming and output)

Designed and manufactured in the USA

Key Applications

- Outdoor perimeters
- Maritime vessel decks
- Overhead cranes
- Gantry cranes
- General area lighting
- Monument and landscape lighting

Compliances

LED Module UL/cUL Certified to:

- UL 1598 Suitable for Wet Locations
- UL 1598A Marine Outside Type (Saltwater)
- CSA C22.2 No. 250.0

IP66

CE

LM79 and LM80 reports available upon request

Buy American Act (BAA), modules only

Build America Buy America Act (BABA), modules only

Specifications

Construction	Marine grade, aluminum housing Adjustable 316 stainless steel mounting harp (SSHRP)
Finish	Type II anodized finish per MIL-A-8625
Hardware	Marine grade (316) stainless steel
Lens	Weatherproof, clear polycarbonate

Specifications

Light source	CF-125-V2, up to 125W, up to 15,000 lumens CF-250, up to 240W, up to 32,000 lumens CF-375, up to 360W, up to 48,000 lumens CRI > 70 L90 > 100,000 hours Cool white 5000K (CW), neutral white 4000K (NW) or warm white 2700K (WW) LEDs
Power source	Module: constant current up to 1.8A max, 64-70VDC (CF-125-V2), 128-140VDC (CF-250), 256-280VDC (CF-375) Remote Driver: 200-480VAC, 50/60Hz IP66 rated for indoor or outdoor use Overload, over-voltage, over-temperature and short-circuit protection, max remote distance up to 300 meters
Surge protection	Remote Driver: 10kV line to line; 10kV line to earth (standard)
Controls	DALI-2 / DMX-RDM Dimmable
Wiring	Module includes 6 ft SOOW cable with pigtail, 0.38 inch (9.7mm) O.D. Power supply does not include cable, cord grips only
Vibration	5 Grms, 100-2200 Hz
Ambient operating temperature	LED Module: -40°C to + 50°C Power Supply: -40°C to + 40°C Designed for use in areas allowing air flow
Mounting	316SS harp mount 220° harp rotation
Safety cable	Safety cable optional
Weight	CF-125-V2 module - 14.4 lbs (6.53 kg) CF-250 module - 26.4 lbs (11.97 kg) CF-375 module - 37.2 lbs (16.87 kg)
Warranty	5 years



This product complies with domestic preference requirements such as BABA. For additional information, visit phoenixlighting.com or consult your representative.



This product complies with domestic preference requirements such as BAA or TAA. For additional information, visit phoenixlighting.com or consult your representative.

For IES files, see website or contact factory

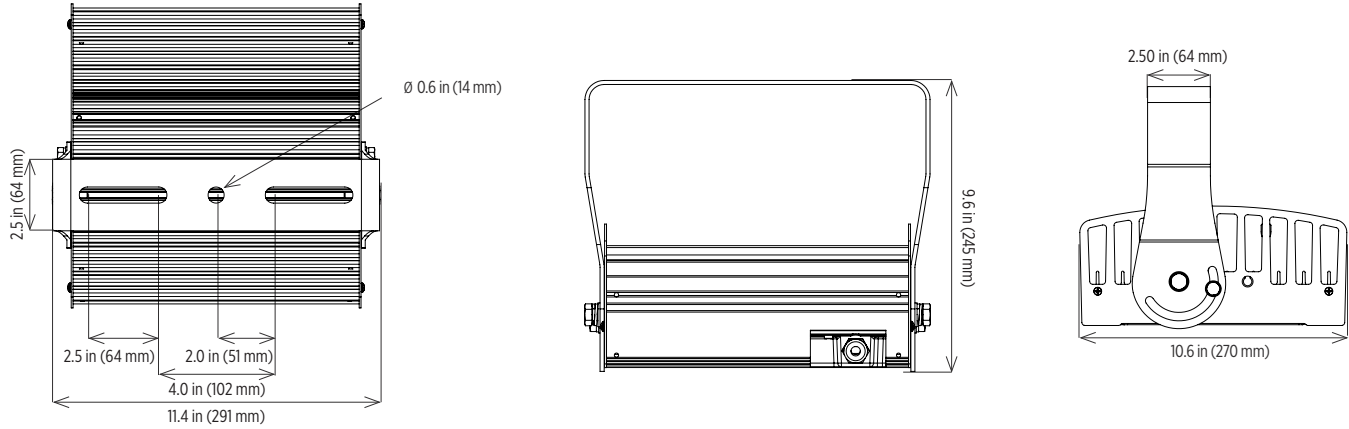
Command Flood® Remote Driver Series

PHOENIX®
DURABILITY X DESIGN™

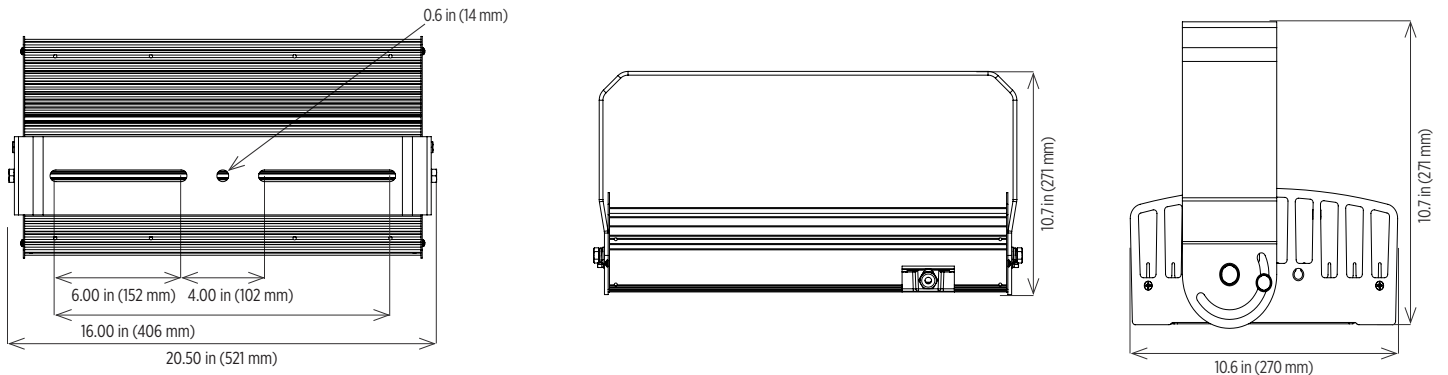
Marine Industrial LED Floodlight

Dimensions

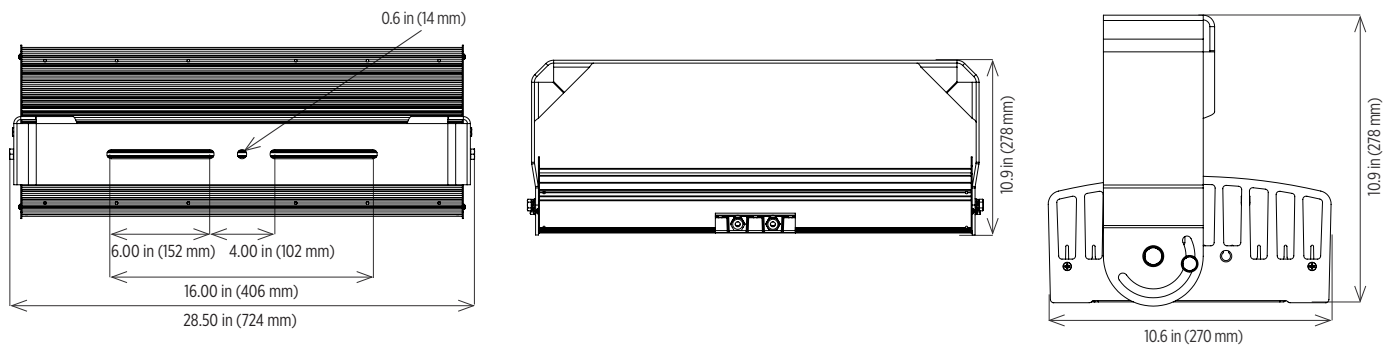
CF-125-V2 Module



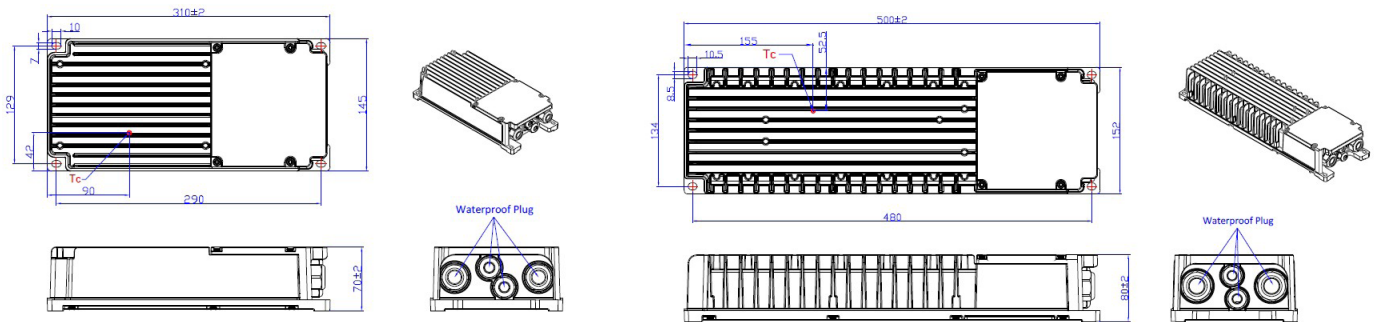
CF-250 Module



CF-375 Module



Dimensions



Ordering Information

Note: LED modules require an external power supply as they do not have an integrated driver. Order a Phoenix recommended remote driver (RDRV) kit separately or use compatible driver according to specifications. Contact factory for additional details.

LED Modules Example: CF-125-VS-RMT-DRV-CW-SSHRP-V2

Description	Module	Optic	Voltage	CCT	Mounting Bracket	Version
CF	125	VS	RMT-DRV ¹	CW	SSHRP	V2 ²
	250	SP		NW		
	375	MF		WW		
		WF				

Module	Optic	Voltage	CCT
125	VS Very narrow spot	RMT-DRV ¹ DC input - used with remote driver (order separately)	CW Cool white (5000K)
250	SP Spot		NW Neutral white (4000K)
375	MF Medium flood		WW Warm white (2700K)
	WF Wide flood		

Mounting Bracket

SSHRP Adjustable 316 stainless steel mounting bracket

Version

V2 ² version 2

Notes

- 1 RMT-DRV modules are powered by DC voltage only
- 2 Only available with CF-125 module

Remote Driver Example: KIT,CF,RDRV-1800W-200-480-DI

Series	Wattage	Input Voltage	Controls
KIT,CF,RDRV	600W	200-480	DI
	1800W		DX

Wattage	Input Voltage	Controls
600W 600W, 1-channel driver	200-480 200-480VAC	DI DALI-2
1800W 1800W, 3-channel driver		DX DMX-RDM

Special Projects: We may be able to accommodate your special projects, so please don't hesitate to ask about additional options. Minimum order quantities and/or extended lead times will apply. Contact your Phoenix representative with specific inquiries.

Modules Per Driver

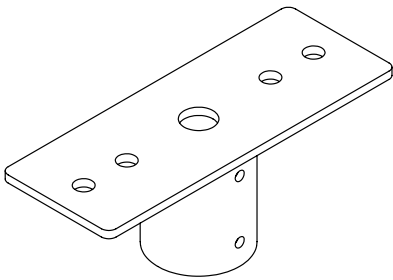
Driver Description ¹	Input Voltage	CF-125-V2	CF-250	CF-375
KIT,CF,RDRV-1800W	200-480VAC	15 total (5 max/3 min per channel)	6 total (2 max/2 min per channel)	3 total (1 max/1 min per channel)
KIT,CF,RDRV-600W	200-480VAC	5 total (5 max/3 min per channel)	2 total (2 max/2 min per channel)	1 total (1 max/1 min per channel)

Notes

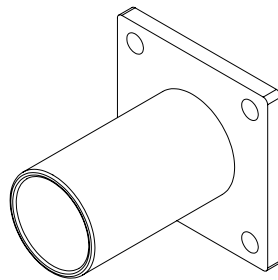
- 1 KIT,CF,RDRV-1800W has three independent programmable channels. Each driver channel supports up to 600W maximum. To stay within electrical limits, Phoenix recommends using the same module type per channel.

Accessories

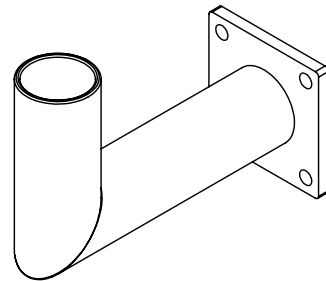
PTM-CF (Tenon Mount) ¹



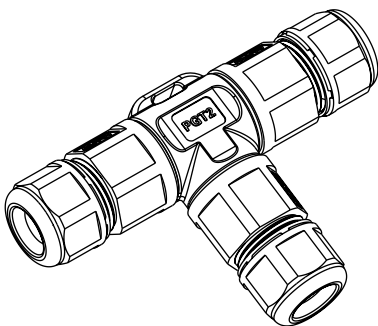
WM-2-S40 (Wall Mount)



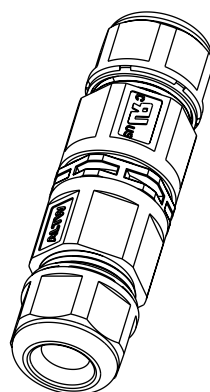
WM90-2-S40 (90° Wall Mount)



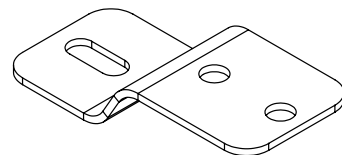
CNTR, CBL, 4 POLE, T, CF-RMT-DRV



CNTR, CBL, 3 POLE, STRAIGHT, CF-RMT-DRV



KIT,CF-150,S ADPTR,316SS



Notes

- 1 Note: For 3-Position (3P-CNTR) connectors, calculate the number required by subtracting 1 from total modules per channel. For 2-Position (2P-CNTR) connectors, you will need a just 1 per channel. Example: If using (12) CF-125-V2 modules (4 per channel) with the KIT,CF,RDRV-1800W driver, you will need a total of (9) 3P-CNTR T-connectors and (3) 2P-CNTR straight connectors.

Product design and specifications are subject to change without notice. The most current version of this specification sheet can be found at www.phoenixlighting.com.