

Low-voltage LED Floodlight/Indication Light

Patents Pending

Red linear beam improves safety by illuminating dangerous areas around mobile equipment and helping to prevent accidents

Durable and compact design is trusted by equipment operators worldwide and can be applied to various applications

Premium line of super-rough service, heavy duty LED work lights



Key Applications

Surface mining equipment

- front loaders • blasthole drills • dozers • hydraulic excavator shovels • haul trucks

Underground mining equipment

- jumbos • scoopers • dumpers

Construction equipment

- mobile cranes • excavators • rollers

Port equipment

- material handling • reach stackers • RTG cranes • portal cranes

Marine vessels

- patrol boats • crane lighting

Agricultural equipment

- combine harvesters • tractors • ATVs

Forestry equipment

- harvesters • forwarders • loaders

Other applications

- utility vehicles • off-road equipment • forklift trucks • maintenance of Way (MOW) railroad maintenance equipment

Compliances

CE

IP68

IP69K

IK06 (glass)

Specifications

Construction	Die cast aluminum housing
Finish	Gray powder coat
Hardware	304 stainless steel external hardware
Lens	Tempered glass (GL) Non-stick coating
Light source	Conformal coated LED circuit board 24W Red LEDs - up to 1300 lumens Linear beam
Power source	12-48V DC Over-voltage , over-temperature and reverse polarity protection
Wiring	Stranded wires 10.00 inch cord with molded Deutsch connector
Ambient operating temperature	-40°C to +65°C Light output regulation in high ambient temperature environments protects the life of the LEDs
Shock	65G along 3 axes
Vibration	5 Grms, 100-2200Hz along 3 axes
Salt spray	Tested to ASTM B117 for 1000 hours
Aiming	120° aiming capability, 5° markings on mounting harp
Mounting	304 stainless steel harp - standard
Weight	7.0 lb (3.2 kg)
Warranty	3 years

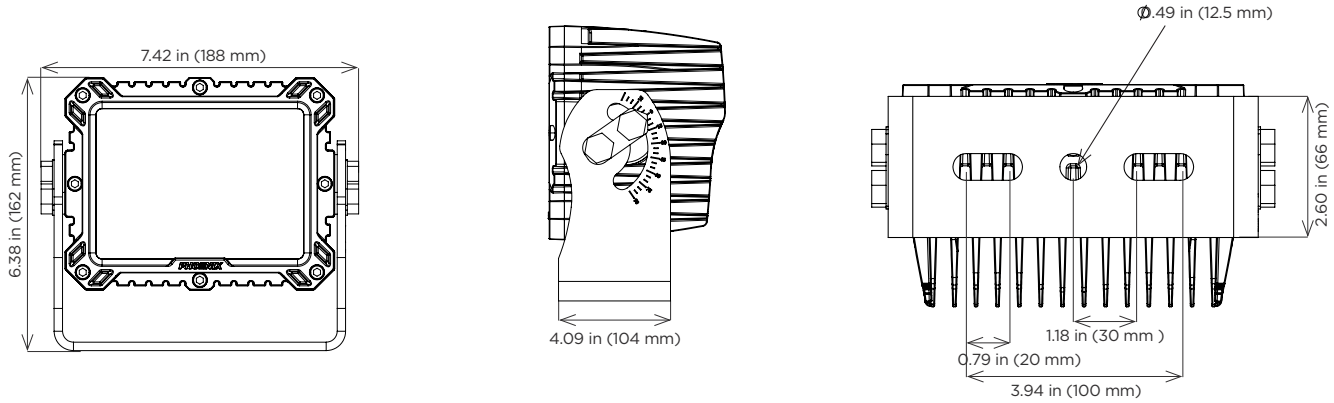
For IES files, see website or contact factory

Sturdilite® Master Series HI Alert



Low-voltage LED Floodlight/Indication Light

Dimensions



Ordering Information

Example: MST-HI-GL-AL-12-48-RED

Fixture	Model	Lens	Optic	Voltage	Color
MST	HI	GL	AL	12-48	RED

Model	Lens	Optic	Voltage	Color
HI 24W	GL High temperature, tempered glass	AL Linear Optic	12-48 12-48V DC	RED Red LEDs

Special Projects: We may be able to accommodate your special projects, so please don't hesitate to ask about additional options. Minimum order quantities and/or extended lead times will apply. Contact your Phoenix representative with specific inquiries.

Product design and specifications are subject to change without notice. The most current version of this specification sheet can be found at www.phoenixlighting.com.