

Head and Arm Kits for Loading Dock Lighting

Built for stability and smooth operation
Durable design in safety yellow for maximum visibility
Available in 40 and 60 inch lengths



Ordering Information

DLA2 (Metal LED Head)

40 Inch Arm: DLA2-12LED/DLSD-40-ARM-DS

60 Inch Arm: DLA2-12LED/DLSD-60-ARM-DS

Fan Accessory: DL-FAN-18

DL-INC-LH (Plastic Head with LED Lamp)

40 Inch Arm: DL-INC-LH-LMP/DLSD-40-ARM-DS

60 Inch Arm: DL-INC-LH-LMP/DLSD-60-ARM-DS

Fan Accessory: DL-FAN-18

DLA2 Head Specifications

Warranty	Lifetime
Construction	Cast aluminum housing Impact-resistant clear polycarbonate lens (PC)
Hardware	Stainless steel
Light source	9W, 1100 lumens 25° square beam angle
Power source	120V, 60Hz
Wiring	22.00 inch (559 mm) cord Recessed 3-prong IES (C-14) type plug
Ambient operating temperature	-40°C to +50°C

DL-INC-LH Head Specifications

Warranty	3 years
Construction	High temperature polymer housing Zinc plated steel wire lamp guard
Hardware	Zinc plated steel
Light source	15W, 1200 lumens, PAR 38 LED lamp Spring-loaded socket assembly
Power source	120V, 60Hz
Wiring	22.00 inch (559 mm) cord Recessed 3-prong IES (C-14) type plug
Ambient operating temperature	-40°C to +25°C

Modular *docklite* Kits

Head and Arm Kits for Loading Dock Lighting

Arm Specifications

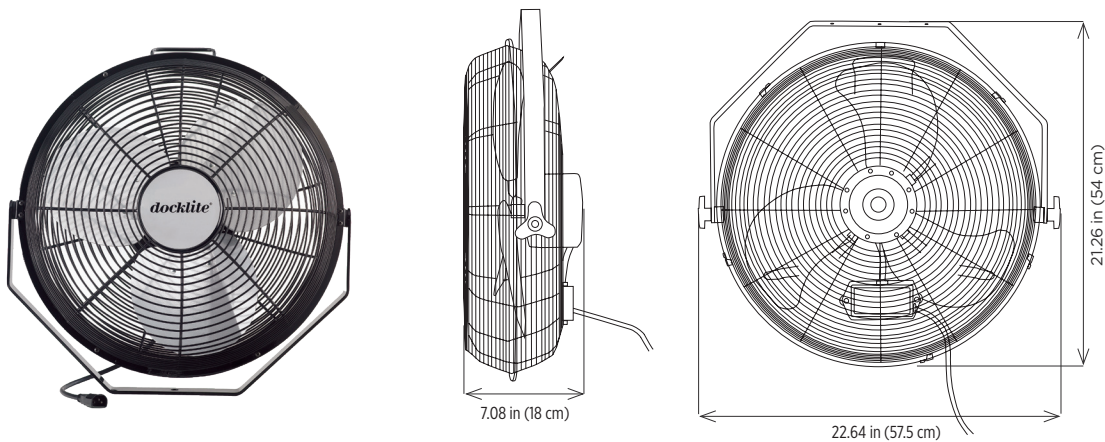
Construction	1.60 inch square steel tube arms with lateral mobility joint Washers at all joints and bushings at bracket joints 40 and 60 inch double strut arms - standard
Finish	Safety yellow powder coat
Hardware	Zinc plated
Wiring	120V On-off switch and two (2) IEC type receptacles Ability to plug in and carry weight of dock light head and fan
Mounting	Powder coated steel mounting bracket
Warranty	1 year

Compliances

ETL/cETL Certified to:

- UL 1598 Suitable for damp locations
- CSA C22.2 No. 250.0 equivalent

Accessories (order separately)



Fan

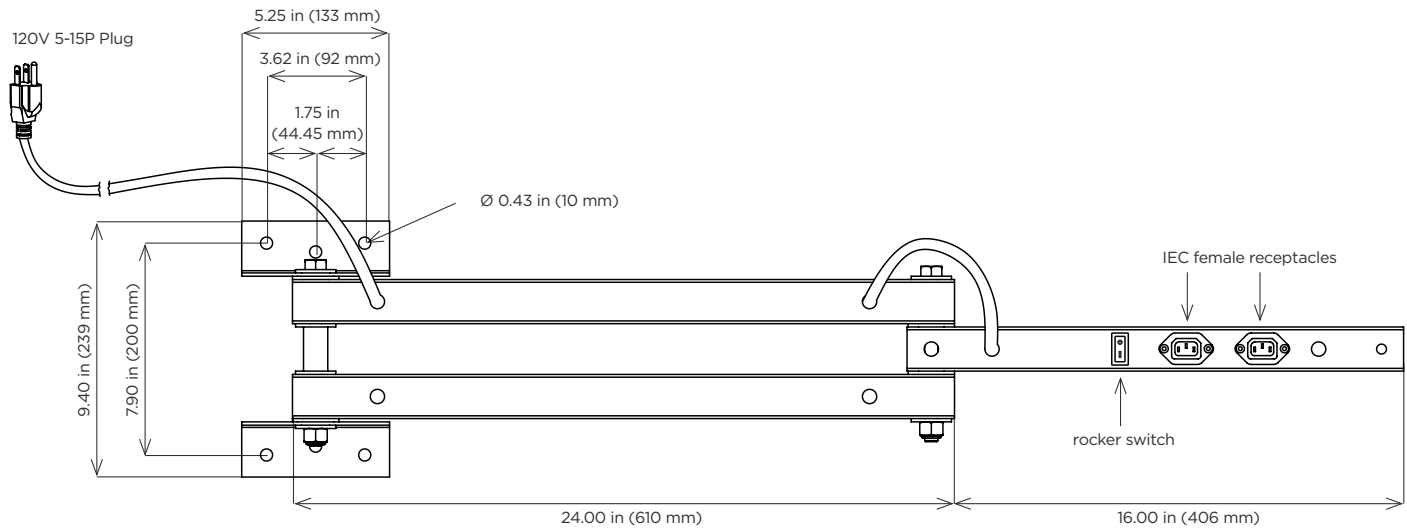
DL-FAN-18

Modular *docklite* Kits

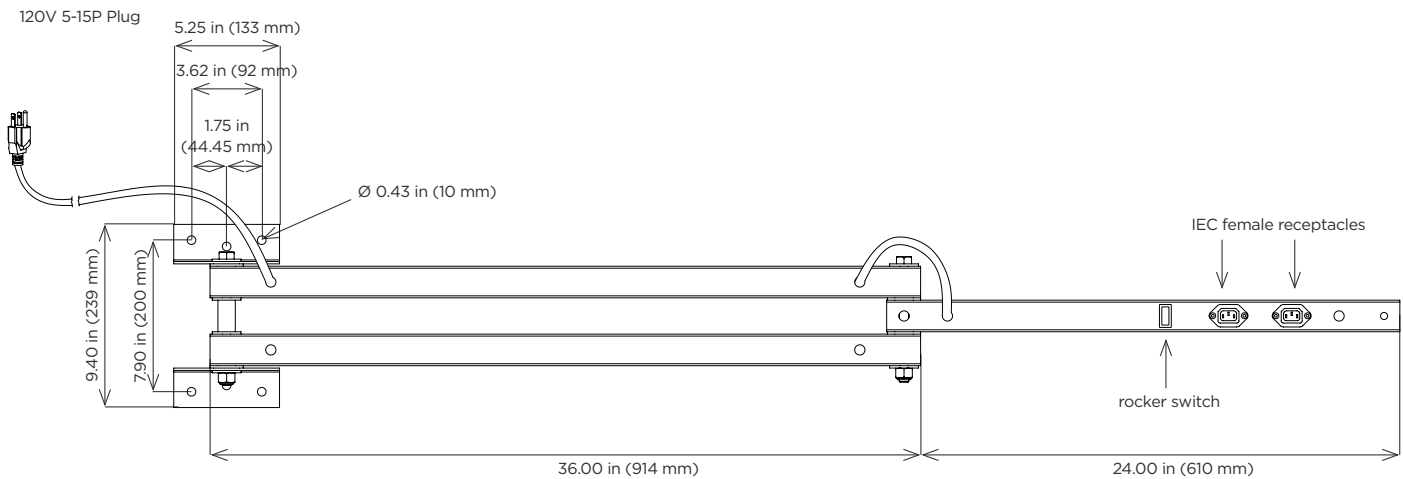
Head and Arm Kits for Loading Dock Lighting

Dimensions

40 Inch Arm



60 Inch Arm



Product design and specifications are subject to change without notice. The most current version of this specification sheet can be found at www.phoenixlighting.com.