



## 9W Modular LED Loading Dock Light Head

US Design Patent No. D957,023

9W light designed to replace up to 150W incandescent light heads

Fully illuminates a 53 foot trailer with an even light distribution

Durable, compact design to endure accidental impact  
LED technology increases efficiency, eliminates maintenance, and supports green initiatives

### Key Applications

Loading dock lighting  
Truck trailer lighting  
Task lighting  
Maintenance lighting

### Compliances

ETL/cETL Certified to:

- UL 1598 Suitable for Wet Locations
- CSA C22.2 No. 250-08

IP66 (fixture)

IK10

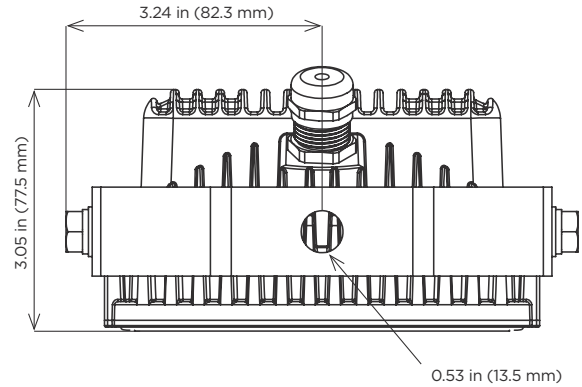
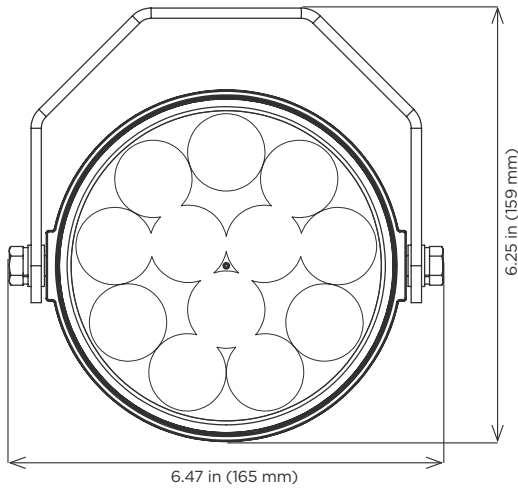
LM79 and LM80 reports available

### Specifications

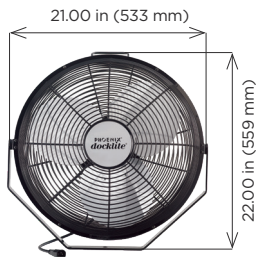
Construction	Cast aluminum housing
Finish	Safety yellow powder coat
Hardware	Stainless steel
Lens	Impact-resistant clear polycarbonate (CP)
Light source	1100 lumens (9W) 25° square beam angle CCT 4000K 50,000 hour rated life
Power source	120V, 60Hz
Wiring	22.00 inch (559 mm) cord - standard Plug with recessed 3-prong IEC type (C-14) plug (120V, 60Hz only) - standard NEMA 5-15 plug option (120V, 60Hz only) (PLG)
Ambient operating temperature	-40°C to +50°C
Mounting	Stainless steel mounting bracket 0.53 inch (13.5 mm) mounting hole clearance
Estimated weight	Fixture: 2.7 lb (1.2 kg) Packaged: 3.0 lb (1.4 kg)
Warranty	5 years

For IES files, see website or contact factory

### Dimensions



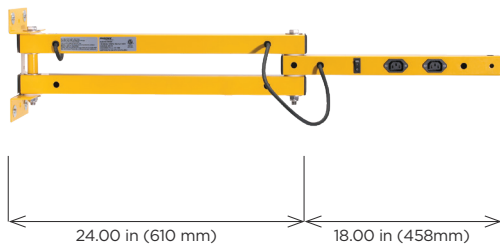
### Accessories



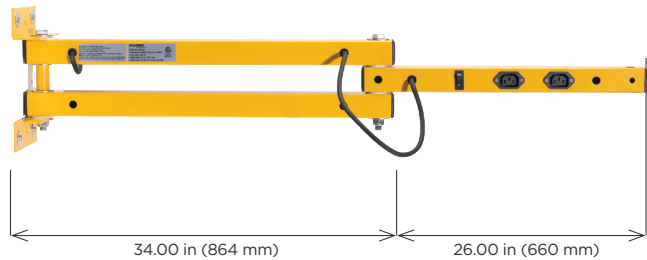
**Fan**  
DL-FAN-18

### Double Strut Arms

**40 inch Arm Effective Reach**  
DLSD-40-ARM-DS



**60 inch Arm Effective Reach**  
DLSD-40-ARM-DS



## Ordering Information

### DLA 2 LED Head

Example: DLA2-12LED

Fixture	LED Count	Options <sup>3</sup>
DLA2	12LED	PLG <sup>1,2</sup>

#### LED Count

12LED 12 LEDs, 9W, 1100 lumens

#### Options <sup>3</sup>

PLG <sup>1,2</sup> 22.00 inch (559 mm) cord with 120V, 60Hz NEMA 5-15 plug

#### Notes

- 1 Plug is not suitable for wet environments
- 2 Optional NEMA 5-15 plug cannot be used with Phoenix docklite<sup>®</sup> Arm (below)
- 3 Fixture will come standard with recessed 3-prong IEC type (C-14) plug (120V, 60Hz only), which is necessary for use with Phoenix docklite<sup>®</sup> Arm (below)

### Modular Arm (order separately)

Example: DLSD-40-ARM-DS

Series	Length	Part	Construction
DLSD	40	ARM	DS
	60		

#### Length

40 40 inch arm  
60 60 inch arm

#### Construction

DS double strut arm

**Special Projects:** We may be able to accommodate your special projects, so please don't hesitate to ask about additional options. Minimum order quantities and/or extended lead times will apply. Contact your Phoenix representative with specific inquiries.