

9W Modular LED Loading Dock Light Head



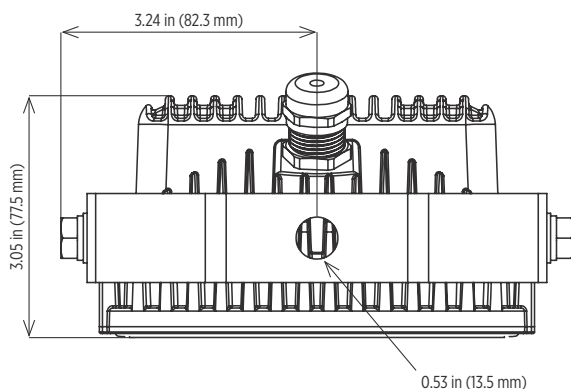
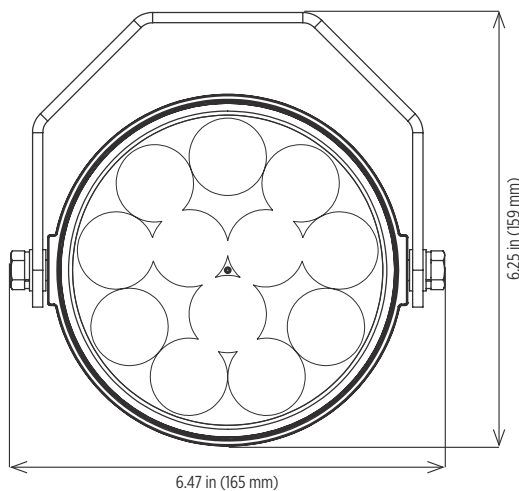
9W dock light designed to replace up to 150W incandescent light heads

Fully illuminates a 53 foot trailer with an even light distribution

Durable, compact design to endure accidental impact

LED technology increases efficiency, eliminates maintenance and supports green initiatives

Dimensions



Specifications

Construction	Cast aluminum housing
Finish	Safety yellow powder coat
Hardware	Stainless steel
Lens	Impact-resistant clear polycarbonate (CP)
Light source	Osram light emitting diodes (LED) 9W, 1100 lumens 25° square beam angle CCT 4000K 50,000 hour rated life
Power source	120V, 60Hz
Wiring	22.00 inch (559 mm) cord - standard Plug with recessed 3-prong IEC type (C-14) plug (120V, 60Hz only) - standard NEMA 5-15 plug option (120V, 60Hz only) (PLG) Push button switch on head option (SW)
Ambient operating temperature	-40°C to +50°C
Mounting	Stainless steel mounting bracket 0.53 inch (13.5 mm) mounting hole clearance
Weight	Fixture: 2.7 lb (1.2 kg) Packaged: 3.0 lb (1.4 kg)
Warranty	5 years

For IES files, see website or contact factory

Compliances

ETL/cETL Certified to:

- UL 1598 Suitable for Wet Locations
- CSA C22.2 No. 250-08

CE (pending)

IP66 (fixture)

IK10

LM79 and LM80 reports available



DLA 2 docklite®

9W Modular LED Loading Dock Light Head

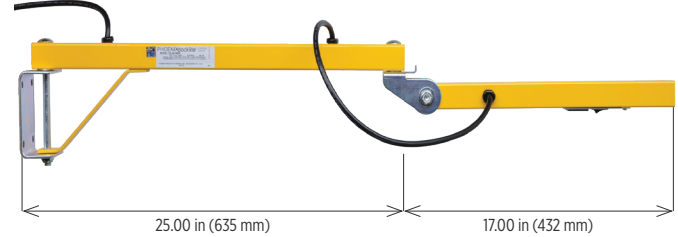
PHOENIX®
DURABILITY X DESIGN™

Single Strut Arms

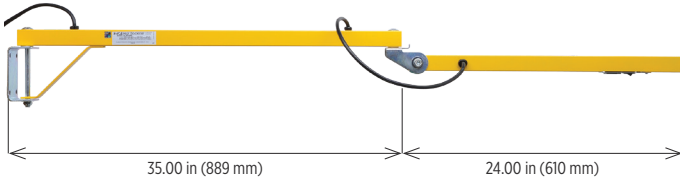
24 inch Arm Effective Reach



42 inch Arm Effective Reach

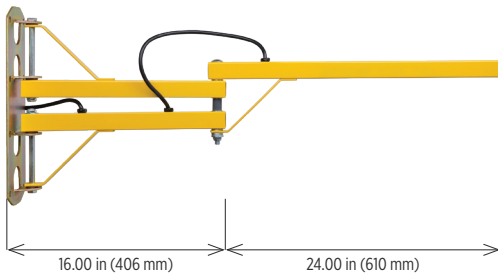


60 inch Arm Effective Reach

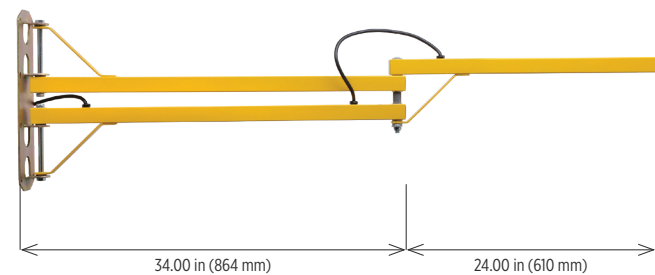


Double Strut Arms

42 inch Arm Effective Reach



60 inch Arm Effective Reach



Accessories (order separately)



Fan

DL-FAN-18

Ordering Information

DLA 2 LED Head

Example: DLA2-12LED

Fixture	LED Count	Options ³
DLA2	12 LED	PLG ^{1,2} SW ⁴ CE

LED Count

12LED 12 LEDs, 9W, 1100 lumens

Options³

PLG^{1,2} 22.00 inch (559 mm) cord with 120V, 60Hz NEMA 5-15 plug
SW⁴ Push button switch on head
CE CE certified

Notes

- 1 Plug is not suitable for wet environments
- 2 Optional NEMA 5-15 plug cannot be used with Phoenix docklite® Arm (below)
- 3 Fixture will come standard with recessed 3-prong IEC type (C-14) plug (120V, 60Hz only), which is necessary for use with Phoenix docklite® Arm (below)
- 4 SW option is not required when using with Phoenix docklite® Arm (below), because power switch is standard on arm.

Modular Arm

Example: DL-24-ARM

Series	Length	Part	Options
DL	24 ¹ 42 ¹ 60 ¹	ARM	DS ²

Options

DS² Double strut arm

Notes

- 1 120V standard.
- 2 Available in 42 and 60 inch lengths only. DL-FAN-18 requires 42 or 60 inch Double Strut Arm.

Special Projects: We may be able to accommodate your special projects, so please don't hesitate to ask about additional options. Minimum order quantities and/or extended lead times will apply. Contact your Phoenix representative with specific inquiries.