



100W fixture delivers up to 13,000 lumens

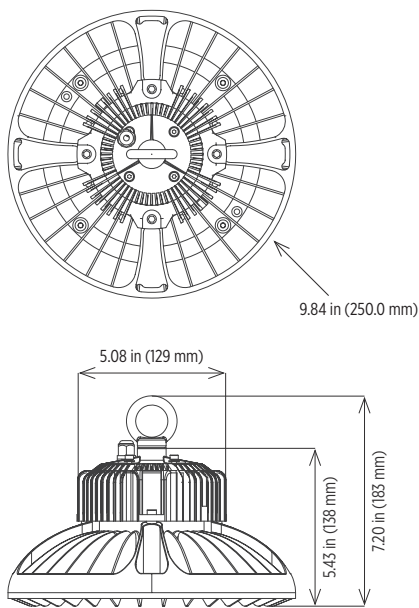
230W fixture delivers up to 30,000 lumens

Ideal for use in warehouses, workshops and other industrial applications

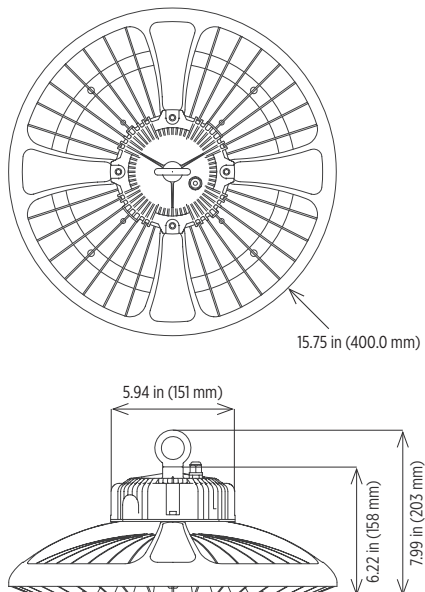
LED technology increases efficiency, eliminates maintenance and supports green initiatives

### Dimensions

#### 100W



#### 230W



### Specifications

|                                      |                                                                                                                                                                                                               |
|--------------------------------------|---------------------------------------------------------------------------------------------------------------------------------------------------------------------------------------------------------------|
| <b>Construction</b>                  | Cast aluminum housing                                                                                                                                                                                         |
| <b>Finish</b>                        | Black thermoset powder coat                                                                                                                                                                                   |
| <b>Hardware</b>                      | Stainless steel                                                                                                                                                                                               |
| <b>Lens</b>                          | Impact resistant tempered glass                                                                                                                                                                               |
| <b>Light source</b>                  | Neutral white (4000K) - standard<br>100W, up to 13,000 lumens (LO)<br>230W, up to 30,000 lumens (HI)<br>CRI > 70<br>120° beam angle - standard<br>90° reflector accessory available<br>50,000 hour rated life |
| <b>Power source</b>                  | 120-277, 50-60 Hz; 277-480V, 50-60 Hz<br>1-10V dimming capability<br>Overload, over-voltage, over-temperature and short-circuit protection                                                                    |
| <b>Wiring</b>                        | Pigtail - standard<br>Stranded wires                                                                                                                                                                          |
| <b>EMB</b>                           | Contact factory                                                                                                                                                                                               |
| <b>Ambient operating temperature</b> | -40°C to +50°C                                                                                                                                                                                                |
| <b>Mounting</b>                      | Suspended mounting hardware included                                                                                                                                                                          |
| <b>Estimated fixture weight</b>      | LO (100W) - 11 lb (5.0 kg)<br>HI (230W) - 19 lb (8.6 kg)                                                                                                                                                      |
| <b>Warranty</b>                      | 5 year                                                                                                                                                                                                        |

For IES files, see website or contact factory

### Designed to Meet

UL/cUL Listed to:

- UL 1598 Suitable for Wet Locations

CE

DLC

IP65 rated



# Ascend Series

Suspension Mounted LED High Bay Floodlight

## Ordering Information

Example: ASC-LO-120-277

| Fixture | Wattage | Voltage              |
|---------|---------|----------------------|
| ASC     | LO      | 120-277              |
|         | HI      | 277-480 <sup>1</sup> |

### Wattage

LO 100W, up to 13,000 lumens  
HI 230W, up to 30,000 lumens

### Voltage

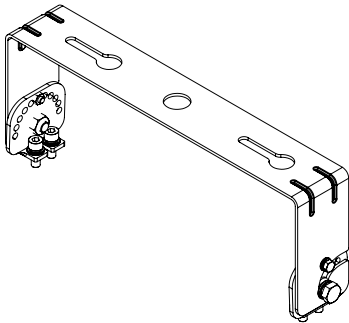
120-277 120-277V, 50-60Hz  
277-480<sup>1</sup> 277-480V, 50-60Hz

### Notes

1 Contact factory

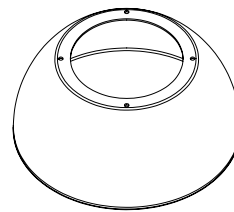
**Special Projects:** We may be able to accommodate your special projects, so please don't hesitate to ask about additional options. Minimum order quantities and/or extended lead times will apply. Contact your Phoenix representative with specific inquiries.

## Accessories (order separately)



### Harp Mount Kit

HMK-ASC-HI (only available on HI models)



### 60° and 90° Reflector Kit

RK60-ASC-HI  
RK90-ASC-LO  
RK90-ASC-HI

Product design and specifications are subject to change without notice.

