

Explosion-proof LED Floodlight



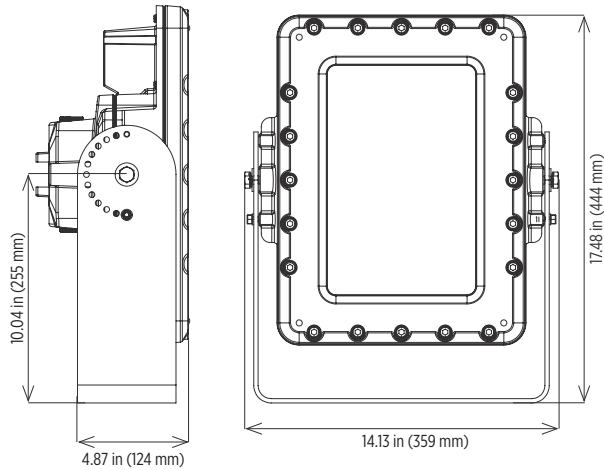
Outdoor-rated floodlight for use in a variety of hazardous locations

Provides safe illumination in Class 1, Division 1 environments

Designed to withstand the world's harshest applications

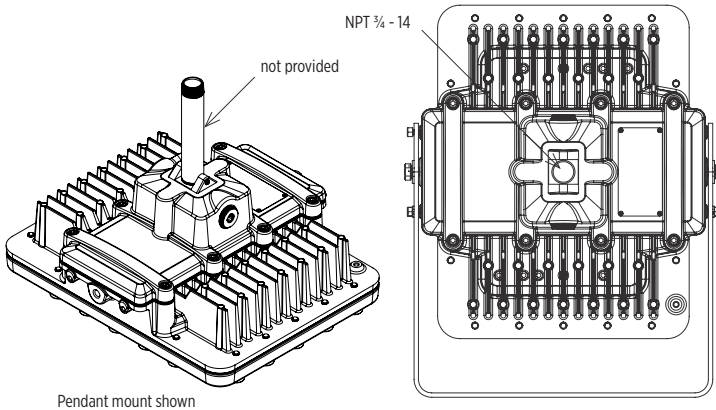
LED technology increases efficiency, eliminates maintenance and supports green initiatives

Dimensions

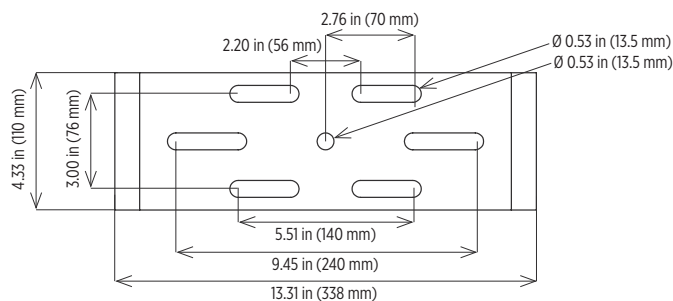


Specifications

Construction	Marine grade cast aluminum housing 316 stainless steel, adjustable mounting harp
Finish	Gray thermoset powder coat
Hardware	Stainless steel
Lens	0.59 in (15mm) thick, clear, tempered glass
Light source	100W, up to 14,000 lumens 165W, up to 23,500 lumens CRI ≥ 70 CCT 5000K (CW) and 4000K (NW) Other CCT options available - contact factory 100,000 hour rated life
Power source	120-277V, 50/60Hz 347-480V, 50/60Hz 1-10V dimming capability 6kV surge protection Overload, overvoltage, over-temperature, short-circuit protection
Wiring	3 x 3/4 inch NPT openings
Ambient operating temperature	-40°C to +50°C
Shock	65G along 3 axes
Vibration	10 Grms, 100-2200Hz along 3 axes
Salt spray	Tested to ASTM B117 for 1000 hours
Aiming	Aimable in 15° increments
Mounting	Ceiling, wall or pendant mount
Weight	44.1 lb (20.0 kg)
Warranty	5 years



Mounting Bracket Dimensions



Contact factory for IES files

Compliances

UL/cUL Certified to:

- UL 1598 Suitable for Wet Locations
- UL 844 Hazardous Locations
Class I, Division I Groups C & D
T5, 100°C maximum surface temperature
- CSA C22.2 No. 250.0, 137, 30

IP66

FCC Part 15, Subpart B, Class A standards for conducted and radiated emissions



Defend Flood™ Series

Explosion-proof LED Floodlight

PHOENIX[®]
DURABILITY X DESIGN™

Ordering Information

Example: DFN-LO-SP-120-277-CW

Fixture	Wattage	Optic	Voltage	CCT
DFN	LO	SP	120-277	CW
	HI	FL	347-480	NW
		WF		

Wattage	Optic	Voltage	CCT
LO 100W, up to 14,000 lumens	SP Spot optic	120-277 120-277V, 50/60Hz	CW Cool white (5000K)
HI 165W, up to 23,500 lumens	FL Flood optic	347-480 347-480V, 50/60Hz	NW Neutral white (4000K)
	WF Wide flood optic		

Special Projects: We may be able to accommodate your special projects, so please don't hesitate to ask about additional options. Minimum order quantities and/or extended lead times will apply. Contact your Phoenix representative with specific inquiries.

Product design and specifications are subject to change without notice. The most current version of this specification sheet can be found on our website: www.phoenixlighting.com.