



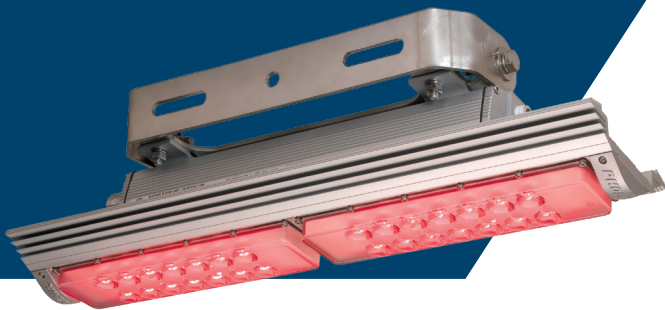
**PHOENIX**<sup>®</sup>  
DURABILITY X DESIGN™

# Danger Light™

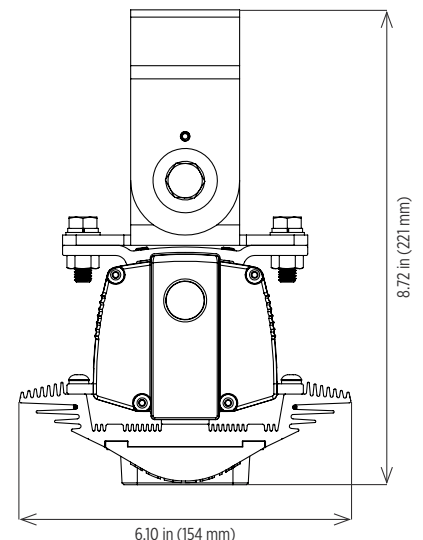
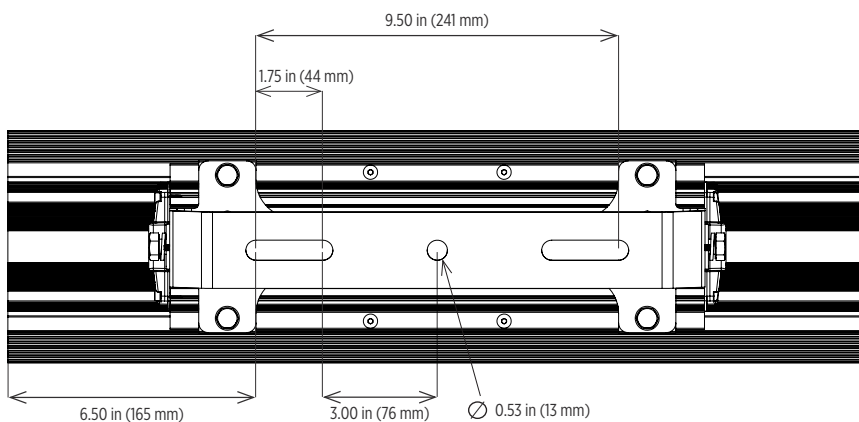
Heavy Duty LED

US Design Patent No. D720,875

Designed to illuminate the “danger zone” surrounding large mobile equipment  
 Provides a distinct, narrow, red beam to promote safety  
 Compact, low profile design with adjustable mounting harp  
 LED technology increases efficiency, eliminates maintenance and supports green initiatives



## Dimensions



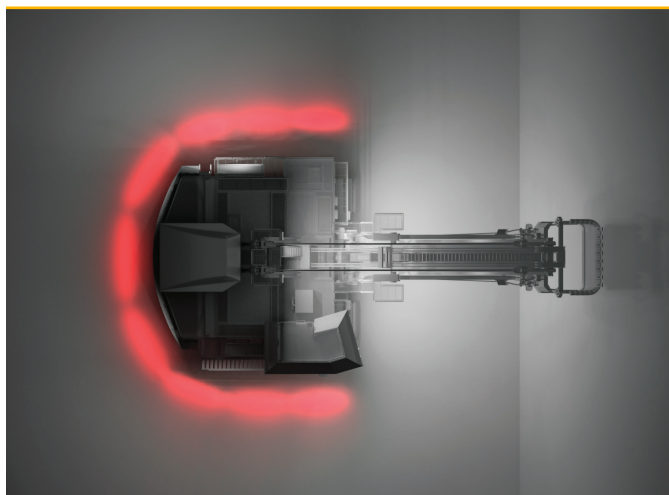
# Danger Light™

Heavy Duty LED

## Specifications

<b>Construction</b>	Marine grade, extruded aluminum housing Marine grade, die cast aluminum end plates
<b>Finish</b>	Anodized finish on extruded parts Thermoset powder coat paint on die cast parts
<b>Hardware</b>	Marine grade (316) stainless steel
<b>Lens</b>	Impact resistant polycarbonate Customized linear optic
<b>Light source</b>	Lumileds Rebel T red light emitting diodes (LED) 48W, up to 3800 lumens (UNIV); 53W (DC) Conformally coated circuit boards 50,000 hour rated life
<b>Power source</b>	120-277V, 50-60Hz (UNIV); 12-24V (DC) Fully potted Replaceable
<b>Power factor</b>	> 0.9 at 120V
<b>Surge protection</b>	20kV/kA
<b>Wiring</b>	Wire leads standard (connectors accept up to 12 AWG wire)
<b>Through wiring</b>	Standard fixture is designed for continuous row mounting
<b>Ambient operating temperature</b>	-40°C to +50°C
<b>Mounting</b>	Harp mount
<b>Estimated Weight</b>	16.5 lb (7.5 kg)
<b>Warranty</b>	5 years

For IES files, see website or contact factory



Top view rendering of an electric rope shovel outfitted with nine Danger Lights

## Ordering Information

Example: DNG-2-UNIV

Fixture	Circuit Boards	Voltage
DNG	2	UNIV DC

### Circuit Boards

2 Two circuit boards (up to 3800 lumens)

### Voltage

UNIV 120-277V, 50-60Hz  
DC 12-24V

**Special Projects:** We may be able to accommodate your special projects, so please don't hesitate to ask about additional options. Minimum order quantities and/or extended lead times will apply. Contact your Phoenix representative with specific inquiries.

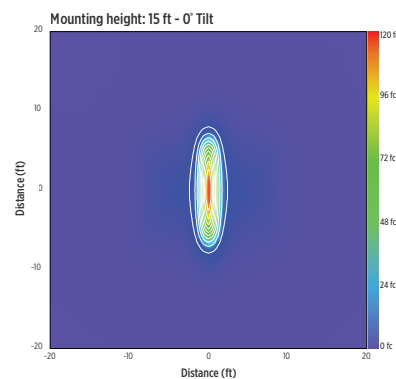
## Compliances

ETL/cETL Certified to:

- UL 1598 Suitable for Wet Locations
- UL 1598A Marine Outside Type (Saltwater)
- CSA C22.2 No. 250.0

## Isolux Chart

### DNG-2-UNIV and DNG-2-DC



Cover photo: Rendering of Danger Lights on an electric rope shovel

Product design and specifications are subject to change without notice. The most current version of this specification sheet can be found on our website: [www.phoenixlighting.com](http://www.phoenixlighting.com).

