

High Performance LED Large Area Floodlight

Designed for superior high mast or perimeter lighting

Mounts to any new or existing ring or crossarm

Exceptional output for effective long-distance lighting

Unmatched efficiency with maximum glare control

LED technology increases efficiency, eliminates maintenance and supports green initiatives



Key Applications

Large area lighting
Perimeter lighting
Sports fields
Prisons & correctional facilities
Ports & intermodal terminals
Military bases
Commercial & military airports
Universities
Parking lots

Compliances

UL/cUL Listed to:

- UL 1598 Suitable for Wet Locations
- Complies with CSA C22.2 No. 250.0 and No. 250.13

DLC

IP66

Specifications

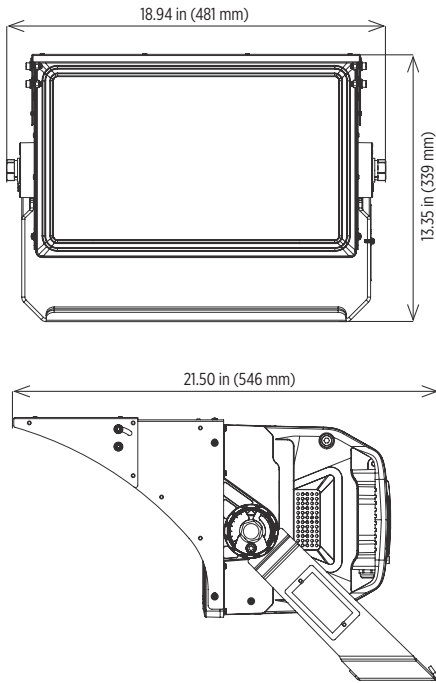
Construction	Heavy-duty die-cast aluminum housing
Finish	Gray powder coat
Lens	Advanced free-form optics with multi-scale lenses
Light source	630W and 85,000 lumens - standard CCT 4000K CRI>70 Dimmable (0-10V)
Lifetime	120,000 hours at 25°C (L70)
Power source	200-480V, 50-60Hz
Surge protection	10kA ultra low EMI (integral)
Wiring	½ inch cable gland optional power cord
Visor	Visor (V) - standard Extended visor (EV)
EPA (wind load)	1.40 sq. ft.
Ambient operating temperature	-40°C to +55°C
Aiming	Horizontal and vertical rotation
Weight	32 lbs (14.5 kg) / 64 lbs (29 kg)
Warranty	5 year - standard Extended warranty options available

For IES files, see website or contact factory

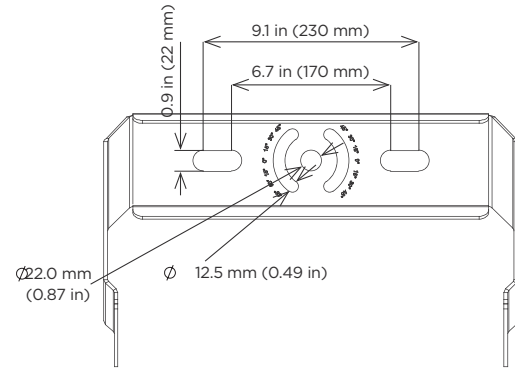
CLIR™ Series

High Performance LED Large Area Floodlight

Dimensions



Mounting Bracket



Ordering Information

Example: PL-CLIR-630-NARROW-200-480-4000-V

Fixture	Wattage	Optics	Voltage	CCT	Visor
PL-CLIR	630	NARROW	200-480	4000	V ¹
		MEDIUM			EV

Wattage

630 630W and 85000 lumens

Optics

NARROW Narrow optic
MEDIUM Medium optic

Voltage

200-480 200-480V, 50-60Hz

CCT

4000 4000K

Visor

V¹ Visor - standard
EV Extended visor - 20 inch deep

Notes

1 Indicates standard option for fast delivery

Special Projects: We may be able to accommodate your special projects, so please don't hesitate to ask about additional options. Minimum order quantities and/or extended lead times will apply. Contact your Phoenix representative with specific inquiries.

Product design and specifications are subject to change without notice. The most current version of this specification sheet can be found at www.phoenixlighting.com.