

! CAUTION

- All wiring should be done by a licensed electrician in accordance with state codes, local codes, and National Electric Code (NEC) standards or International Electric Commission (IEC) standards.
- Improper installation may result in serious injury and void warranty.
- Contains parts and assemblies susceptible to damage by electrostatic discharge (ESD).
- When using luminaires, basic safety precautions should always be followed to reduce the risk of fire, electric shock and personal injury.
- Surge protective devices should be utilized for fixtures installed in environments subject to power surges outside the specified operating parameters.

New Installation

- Attach the junction box to the wall. The junction box is provided with one ½ inch NPT for conduit or cord grip connection.
- Feed input power into the junction box.
- Electrical connections should be made by a licensed electrician.
Note: Refer to wiring chart below.
- Attach fixture to junction box using provided gasket and hardware.

Retrofit Installation

- Disconnect power to existing wall mount fixture.
- Remove existing fixture, leaving the junction box installed. Keep existing mounting hardware.
- Connect input power to new Cube-Light Wall Mount fixture using supplied leads. **Note:** Refer to wiring chart below.
- Attach new fixture to existing junction box using existing gasket and hardware.

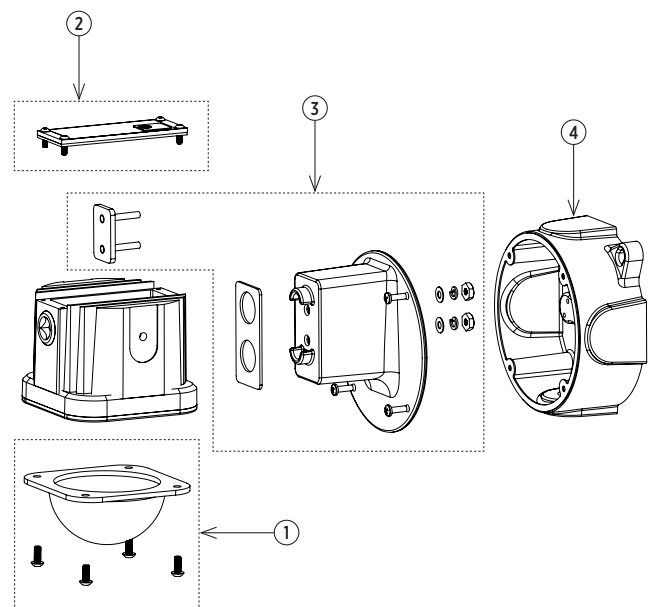
Wiring

The standard fixture is supplied without a cord and with an NPT threaded hole in the junction box.

120V Fixture	240V Fixture	DC Fixture
black : line	brown : line	black : negative (-)
white : neutral	blue : neutral	white : positive (+)
green : ground	green : ground	n/a

To ensure proper seal when installing new cord grip, apply thread sealing tape or paste and torque cord grip to 80-90 inch-pounds. **Note:** the cord grip should not bottom out.

	Weight	Dimensions
Fixture with wall mount	2.2 lb (1.0 kg)	5.70 in (145 mm) x 3.70 in (94 mm) x 4.30 in (109 mm)
Fixture with wall mount and JBOX	4.0 lb (1.8 kg)	7.50 in (191 mm) x 4.60 in (117 mm) x 4.60 in (117 mm)



Repair Parts List

Item	Part Number	Description
1	000082.900	lens kit
2	000082.902	back cover plate kit
3	000082.710	wall mount kit
4	000082.711	junction box kit

