

### ! CAUTION

- All wiring should be done by a licensed electrician in accordance with state codes, local codes, and National Electric Code (NEC) standards or International Electric Commission (IEC) standards.
- Improper installation may result in serious injury and void warranty.
- Contains parts and assemblies susceptible to damage by electrostatic discharge (ESD).
- When using luminaires, basic safety precautions should always be followed to reduce the risk of fire, electric shock and personal injury.
- Surge protective devices should be utilized for fixtures installed in environments subject to power surges outside the specified operating parameters.

### New Installation

- Attach the junction box to the wall. The junction box is provided with one ½ inch NPT for conduit or cord grip connection.
- Feed input power into the junction box.
- Electrical connections should be made by a licensed electrician.  
**Note:** Refer to wiring chart below.
- Attach fixture to junction box using provided gasket and hardware.

### Retrofit Installation

- Disconnect power to existing wall mount fixture.
- Remove existing fixture, leaving the junction box installed. Keep existing mounting hardware.
- Connect input power to new Cube-Light Wall Mount fixture using supplied leads. **Note:** Refer to wiring chart below.
- Attach new fixture to existing junction box using existing gasket and hardware.

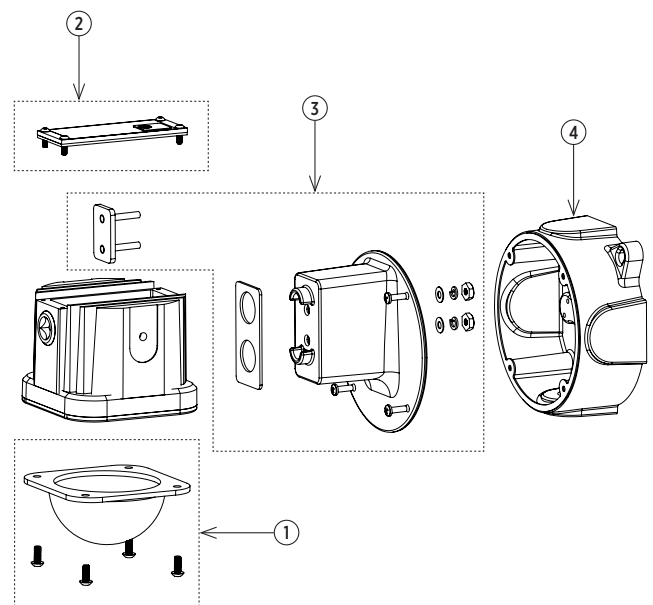
### Wiring

The standard fixture is supplied without a cord and with an NPT threaded hole in the junction box.

| 120V Fixture    | 240V Fixture   | DC Fixture           |
|-----------------|----------------|----------------------|
| black : line    | brown : line   | black : negative (-) |
| white : neutral | blue : neutral | white : positive (+) |
| green : ground  | green : ground | n/a                  |

To ensure proper seal when installing new cord grip, apply thread sealing tape or paste and torque cord grip to 80-90 inch-pounds. **Note:** the cord grip should not bottom out.

|                                  | Weight          | Dimensions   |
|----------------------------------|-----------------|--|
| Fixture with wall mount          | 2.2 lb (1.0 kg) | 5.70 in (145 mm) x 3.70 in (94 mm) x 4.30 in (109 mm)  |
| Fixture with wall mount and JBOX | 4.0 lb (1.8 kg) | 7.50 in (191 mm) x 4.60 in (117 mm) x 4.60 in (117 mm) |



### Repair Parts List

| Item | Part Number | Description          |
|------|-------------|----------------------|
| 1    | 000082.900  | lens kit             |
| 2    | 000082.902  | back cover plate kit |
| 3    | 000082.710  | wall mount kit       |
| 4    | 000082.712  | junction box kit     |

Product design and specifications are subject to change without notice.

