

! CAUTION

- All wiring should be done by a licensed electrician in accordance with state codes, local codes, and National Electric Code (NEC) standards or International Electrotechnical Commission (IEC) standards.
- Improper installation may result in serious injury and void warranty.
- Contains parts and assemblies susceptible to damage by electrostatic discharge (ESD).
- Surge protective devices should be utilized for fixtures installed in environments subject to power surges outside the specified operating parameters.

Wiring

The standard fixture is supplied with a six foot cord and pigtail.
Green/yellow is ground (PE), brown is hot and blue is common.

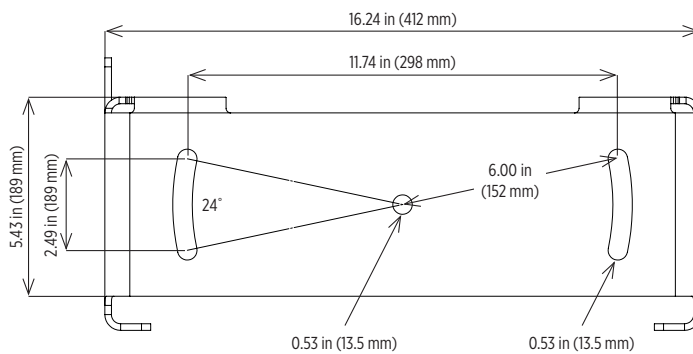
Mounting

Fasten fixture with 3 x ½ inch (M12) bolts (not provided) through center hole and slots in harp assembly to a recommended torque of 45 foot-pounds. Use mounting dimensions shown in Figure 1. Attach near corner supports and use subbase appropriate for the weight of the fixture.

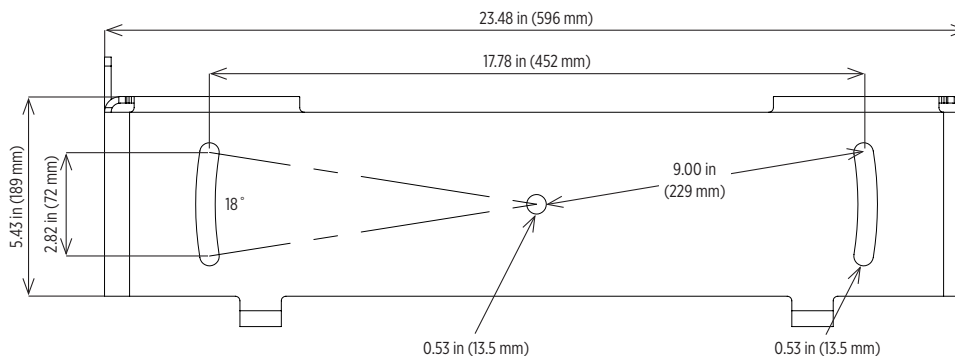
Figure 1: Dimensions for Standard Mounting Brackets

Contact factory for dimensions on custom mounting brackets.

ModCom 2 LO & HI



ModCom 2 MAX



Maintenance

Periodic maintenance and cleaning is required to keep light fixture in peak operating condition. Buildup of dirt and/or debris will diminish performance, lead to premature failure and void the fixture's warranty.

1. Inspect fixture monthly or (more frequently if conditions require) for dirt and debris buildup on lenses and between fins of heatsink. Wash down with water as needed.
2. Inspect fasteners and verify cord grips are tight. Retighten as needed.
Note: Cord grips should be hand tight plus ¼ turn.

MC2-LO Repair Parts List¹

| Description | V1 (8 LEDs per PCB) | | V2 (22 LEDs per PCB) | |
|---|---------------------|-----------------|----------------------|-----------------|
| | Part Number | Quantity | Part Number | Quantity |
| 10-50V DC cool white (5000K) LED board kit (8 LEDs) | 010175.900 | 1 | - | - |
| 10-50V DC amber (AM) LED board kit (8 LEDs) ³ | 010175.901 | 1 | - | - |
| 120-277V or 277-480V cool white (5000K) LED board kit (8 LEDs) | 010202.904 | 1 | - | - |
| 120-277V or 277-480V amber (AM) LED board kit (8 LEDs) ³ | 010175.903 | 1 | - | - |
| 120-277V or 277-480V cool white (5000K) LED board kit (22 LEDs) | - | - | 010178.900 | 1 |
| clear lens cover kit | 1090126 | 1 | 1090126 | 1 |
| amber lens cover kit ³ | 1090128 | 1 | - | - |
| DC/DC driver kit | 010175.906 | 1 | - | - |
| 120-277V driver kit | 010175.907 | 1 | 010178.906 | 1 |
| 277-480V driver kit | 010175.908 | 1 | 010178.907 | 1 |
| VS optic kit ² | 010196.912 | contact factory | 010178.902 | contact factory |
| SP optic kit ² | 010196.916 | contact factory | 010178.903 | contact factory |
| MF optic kit ² | 010196.914 | contact factory | 010178.904 | contact factory |
| WF optic kit ² | 010196.915 | contact factory | 010178.905 | contact factory |

Notes

- 1 The quantities listed are the total required per fixture.
- 2 There are two optic kits required per LO, four per HI and six per MAX fixtures. Contact factory for the optic kits required for your fixture.
- 3 Contact factory for replacement lens kits and LED boards for amber fixtures.

MC2-HI Repair Parts List¹

| Description | V1 (8 LEDs per PCB) | | V2 (22 LEDs per PCB) | |
|---|---------------------|-----------------|----------------------|-----------------|
| | Part Number | Quantity | Part Number | Quantity |
| 10-50V DC cool white (5000K) LED board kit (8 LEDs) | 010175.900 | 2 | - | - |
| 10-50V DC amber (AM) LED board kit (8 LEDs) ³ | 010175.901 | 2 | - | - |
| 120-277V or 277-480V cool white (5000K) LED board kit (8 LEDs) | 010202.904 | 2 | - | - |
| 120-277V or 277-480V amber (AM) LED board kit (8 LEDs) ³ | 010175.903 | 2 | - | - |
| 120-277V or 277-480V cool white (5000K) LED board kit (22 LEDs) | - | - | 010178.900 | 2 |
| clear lens cover kit | 1090129 | 1 | 1090129 | 1 |
| amber lens cover kit ³ | 1090127 | 1 | - | - |
| DC/DC driver kit | 010175.906 | 2 | - | - |
| 120-277V driver kit | 010175.909 | 1 | 010178.908 | 1 |
| 277-480V driver kit | 010175.910 | 1 | 010178.909 | 1 |
| VS optic kit ² | 010196.912 | contact factory | 010178.902 | contact factory |
| SP optic kit ² | 010196.916 | contact factory | 010178.903 | contact factory |
| MF optic kit ² | 010196.914 | contact factory | 010178.904 | contact factory |
| WF optic kit ² | 010196.915 | contact factory | 010178.905 | contact factory |

Notes

- 1 The quantities listed are the total required per fixture.
- 2 There are two optic kits required per LO, four per HI and six per MAX fixtures. Contact factory for the optic kits required for your fixture.
- 3 Contact factory for replacement lens kits and LED boards for amber fixtures.

MC2-MAX Repair Parts List¹

| Description | V1 (12 LEDs per PCB) | | V2 (33 LEDs per PCB) | |
|--|----------------------|-----------------|----------------------|-----------------|
| | Part Number | Quantity | Part Number | Quantity |
| 120-277V or 277-480V cool white (5000K) LED board kit (12 LEDs) | 010202.905 | 2 | - | - |
| 120-277V or 277-480V amber (AM) LED board kit (12 LEDs) ³ | 010175.905 | 2 | - | - |
| 120-277V or 277-480V cool white (5000K) LED board kit (33 LEDs) | - | - | 010178.901 | 2 |
| clear lens cover kit | 1090131 | - | 1090131 | 1 |
| amber lens cover kit ³ | 1090132 | 1 | - | - |
| 120-277V driver kit | 010175.911 | 2 | 010178.910 | 2 |
| 277-480V driver kit | 010175.912 | 2 | 010178.911 | 2 |
| VS optic kit ² | 010196.912 | contact factory | 010178.902 | contact factory |
| SP optic kit ² | 010196.916 | contact factory | 010178.903 | contact factory |
| MF optic kit ² | 010196.914 | contact factory | 010178.904 | contact factory |
| WF optic kit ² | 010196.915 | contact factory | 010178.905 | contact factory |

Notes

- 1 The quantities listed are the total required per fixture.
- 2 There are two optic kits required per LO, four per HI and six per MAX fixtures. Contact factory for the optic kits required for your fixture.
- 3 Contact factory for replacement lens kits and LED boards for amber fixtures.

Product design and specifications are subject to change without notice.