

! CAUTION

- All wiring should be done by a licensed electrician in accordance with state codes, local codes, and National Electric Code (NEC) standards or International Electrotechnical Commission (IEC) standards.
- Improper installation may result in serious injury and void warranty.
- Contains parts and assemblies susceptible to damage by electrostatic discharge (ESD).
- Surge protective devices should be utilized for fixtures installed in environments subject to power surges outside the specified operating parameters.

Wiring

The standard fixture is supplied with a six foot cord and pigtail.
Green/yellow is ground (PE), brown is hot and blue is common.

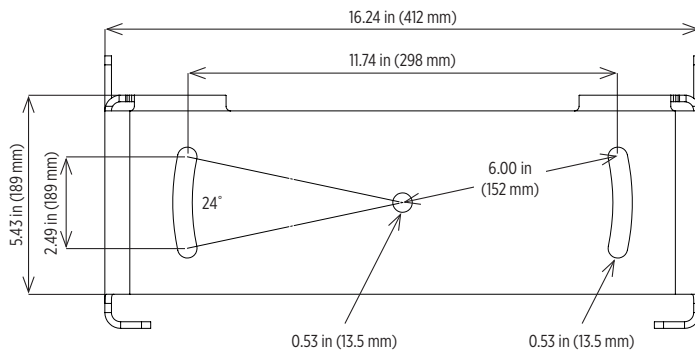
Mounting

Fasten fixture with 3 x ½ inch (M12) bolts (not provided) through center hole and slots in harp assembly to a recommended torque of 45 foot-pounds. Use mounting dimensions shown in Figure 1. Attach near corner supports and use subbase appropriate for the weight of the fixture.

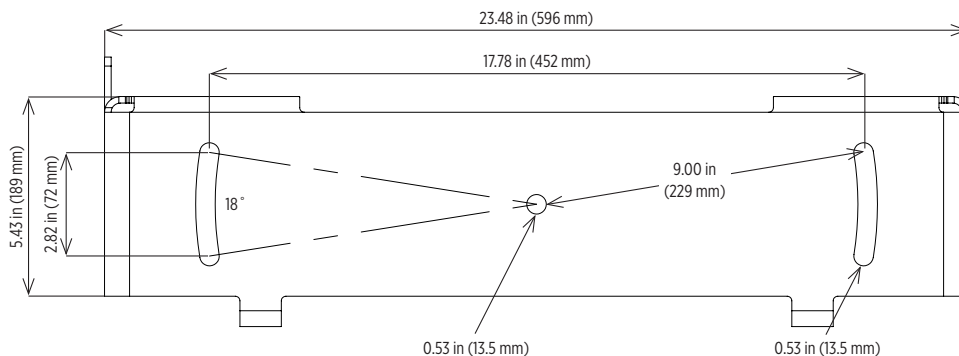
Figure 1: Dimensions for Standard Mounting Brackets

Contact factory for dimensions on custom mounting brackets.

ModCom 2 LO & HI



ModCom 2 MAX



Repair Parts List¹

Description	ModCom 2 LO		ModCom 2 HI		ModCom 2 MAX	
	Part Number	Quantity	Part Number	Quantity	Part Number	Quantity
10-50V DC LED board (5000K)	4390260	1	4390260	2	n/a	
120-277V or 277-480V LED Board (5000K)	4390270	1	4390270	2	4390271	2
120-277V or 277-480V LED Board (2700K) ³	4390275	1	4390275	2	4390282	2
clear lens cover kit	1090126	1	1090125	1	1090131	1
amber lens cover kit ³	1090128	1	1090127	1	1090132	1
DC/DC driver	4389310	1	4389310	2	n/a	
120-277V driver	4380061	1	4380065	1	4380063	2
277-480V driver	4380062	1	4380066	1	4380064	2
VS optic kit ²	010196.912		010196.912		010196.912	
SP optic kit ²	010196.916		010196.916		010196.916	
MF optic kit ²	010196.914		010196.914		010196.914	
WF optic kit ²	010196.915		010196.915		010196.915	

Notes

- 1 The quantities listed are the total required per fixture.
- 2 There are two optic kits required per LO, four per HI and six per MAX fixtures. Contact factory for the optic kits required for your fixture.
- 3 Contact factory for replacement lens kits and LED boards for amber fixtures.

Maintenance

Periodic maintenance and cleaning is required to keep light fixture in peak operating condition. Buildup of dirt and/or debris will diminish performance, lead to premature failure and void the fixture's warranty.

1. Inspect fixture monthly or (more frequently if conditions require) for dirt and debris buildup on lenses and between fins of heatsink. Wash down with water as needed.
2. Inspect fasteners and verify cord grips are tight. Retighten as needed.
Note: Cord grips should be hand tight plus ¼ turn.

Product design and specifications are subject to change without notice.