

! CAUTION

- All wiring should be done by a licensed electrician in accordance with state codes, local codes, and National Electric Code (NEC) standards or International Electrotechnical Commission (IEC) standards.
- Improper installation may result in serious injury and void warranty.
- Contains parts and assemblies susceptible to damage by electrostatic discharge (ESD).
- Surge protective devices should be utilized for fixtures installed in environments subject to power surges outside the specified operating parameters.

Wiring

The standard fixture is supplied with a six foot cord and pigtail.
Green/yellow is ground (PE), brown is hot and blue is common.

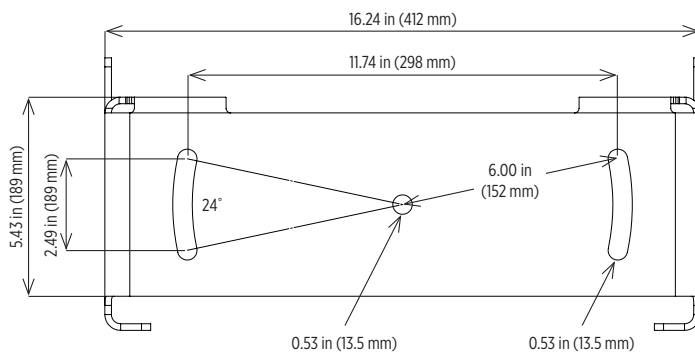
Mounting

Fasten fixture with 3 x ½ inch (M12) bolts (not provided) through center hole and slots in harp assembly to a recommended torque of 45 foot-pounds. Use mounting dimensions shown in Figure 1. Attach near corner supports or use adequate subbase appropriate for the weight of the fixture.

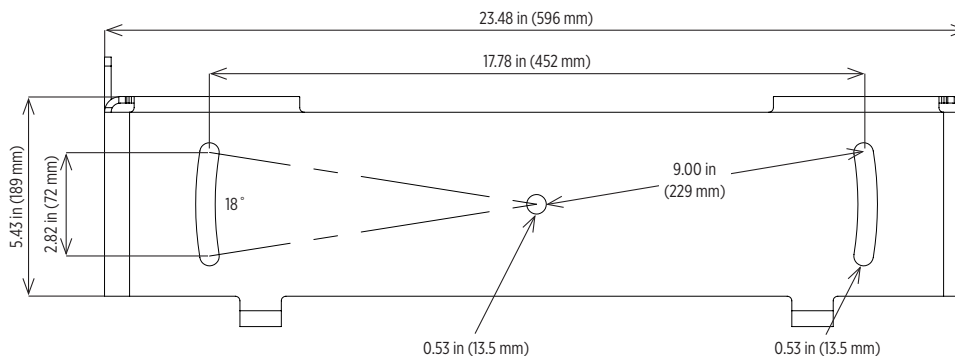
Figure 1: Dimensions for Standard Mounting Brackets

Contact factory for dimensions on custom mounting brackets.

ModCom 2 Lo & Hi



ModCom 2 Max



Repair Parts List

Description	Lo Part Number	Hi Part Number	Max Part Number
DC LED board (5000K)	4390260 (10-50V DC)	4390260 (10-50V DC)	4390261 (18-50V DC)
120-277V LED Board (5000K)	4390270	4390270	4390271
277-480V LED Board (5000K)	4390270	4390270	4390271
clear lens cover kit	1090126	1090125	1090131
amber lens cover kit	1090128	1090127	1090132
DC/DC driver	4389310	4389310	4389309
120-277V driver	4380061	4380065	4380063
277-480V driver	4380062	4380066	4380064

Maintenance

Periodic maintenance and cleaning may be required to keep light fixture in peak operating condition. Buildup of dirt and/or debris can diminish performance or lead to premature failure and may void the warranty.

1. Inspect fixture monthly or (more frequently if conditions require) for dirt and debris build up on lenses and between fins of heatsink. Wash down with water as needed.
2. Inspect fasteners and verify cord grips are tight. Retighten as needed.

Product design and specifications are subject to change without notice.

