

! CAUTION

- All wiring should be done by a licensed electrician in accordance with state codes, local codes, National Electrical Code (NEC) standards and International Electrotechnical Commission (IEC) standards.
- Improper installation may result in serious injury and void warranty.
- Contains parts and assemblies susceptible to damage by electrostatic discharge (ESD).
- Surge protective devices should be utilized for fixtures installed in environments subject to power surges outside the specified operating parameters.

Wiring

The standard fixture is supplied with wire leads and connectors. Connectors accept up to 12 AWG wire.

For AC systems: Green is ground (PE), black is line and white is neutral.

Surface Mount

Fasten fixture with four (4) $\frac{5}{16}$ inch or M8 bolts through holes provided in the mounting feet on the main housing. Refer to mounting dimensions below (Figure 1 and 2).

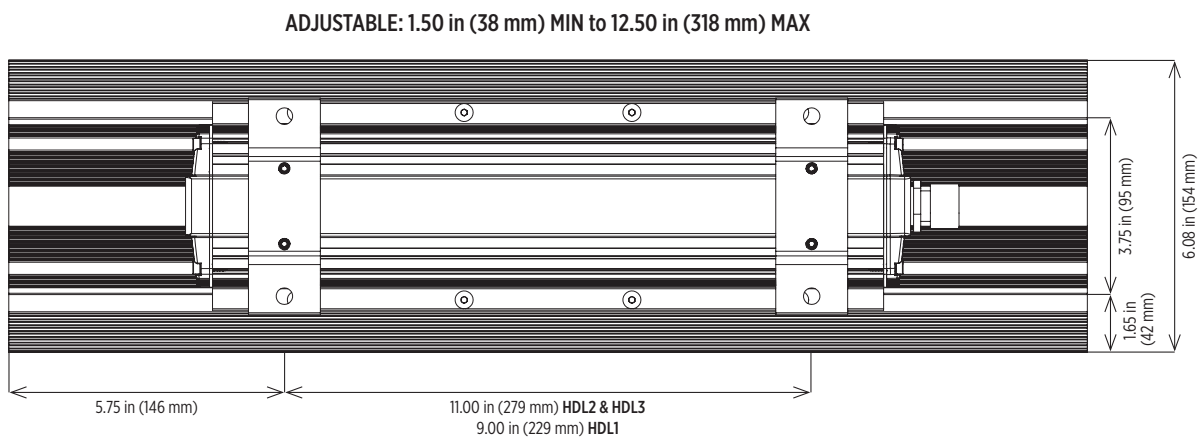
Cord Grip/Plug: Incoming power cable diameter should be 0.25 to 0.375 inches for use with supplied cord grips. Ensure cord grip and/or plug is installed past the inner surface of the housing cover. Thread sealing tape or paste is required.

Conduit Mount

Secure the $\frac{1}{2}$ inch pipe to both housing covers via the $\frac{1}{2}$ inch NPT tapped holes.

Figure 1: Mounting Dimensions

HDL with Surface Mount



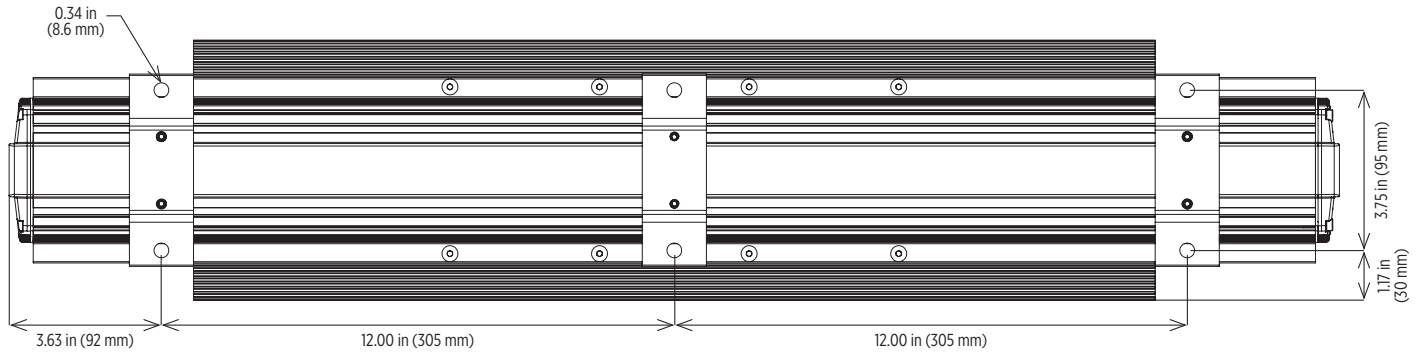
Notes

Torque housing cover screws to 10 inch-pounds



Figure 2: Mounting Dimensions (EMB Models)

(HDL2 with EMB shown)

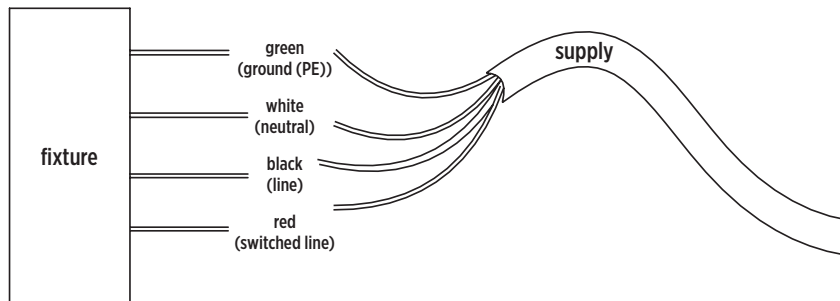


Emergency Battery Backup

EMB unit battery is connected. Charge unit for 24 hours before use. Spot test of emergency ballast function may be performed by depressing the test switch (remove threaded aluminum plug from end cap to access test switch). When the fixture is powered up, the charging indicator (test switch) light should be on. Refer to the EMB system installation instructions (provided) for additional information.

Figure 3: EMB Wiring

Connect green to ground (PE), white to neutral, black to line and red to switched line.



Repair Parts List

Item No.	Description	HDL1 (Qty)		HDL2 (Qty)		HDL3 (Qty)	
		Part Number	Total Quantity per Fixture	Part Number	Total Quantity per Fixture	Part Number	Total Quantity per Fixture
1	housing cover kit	1091638	2	1091638	2	1091638	2
2	120-277V surge protector	4380202	1	4380202	1	4380202	1
	480V surge protector	-	-	4380310	1	4380310	1
3	120-277V driver kit	010193.903	1	010193.901	1	010193.904	1
	277-480V driver kit	-	-	010193.902	1	010193.902	1
4	circuit board kit	1091640	1	1091640	2	1091640	3
5	diffuse lens kit	1091630	1	1091630	2	1091630	3
6	EMB Kit	1091641	1	1091641	1	1091641	1

Figure 4: Standard Fixture Exploded View

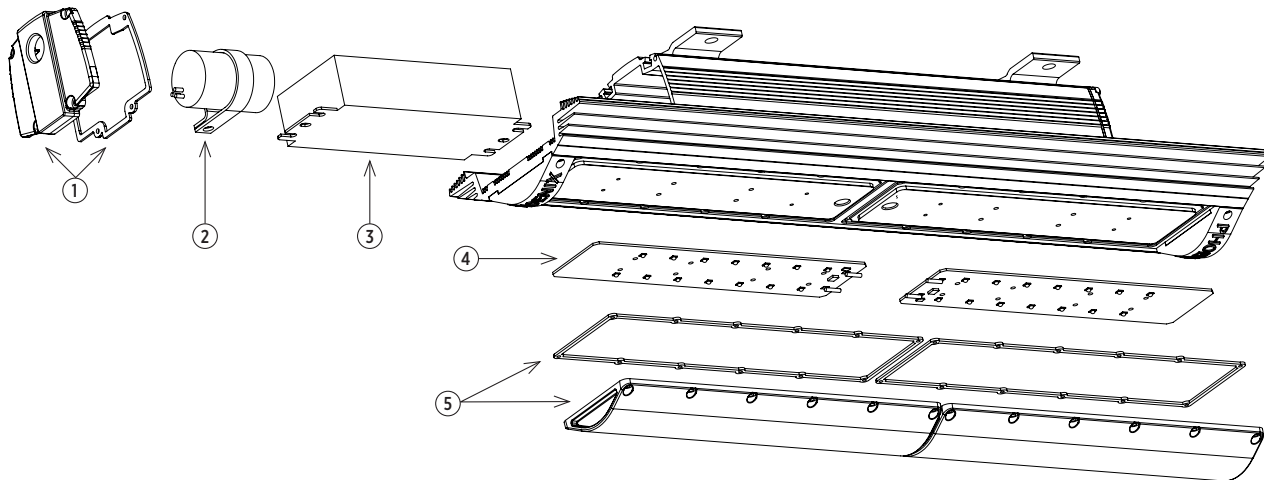
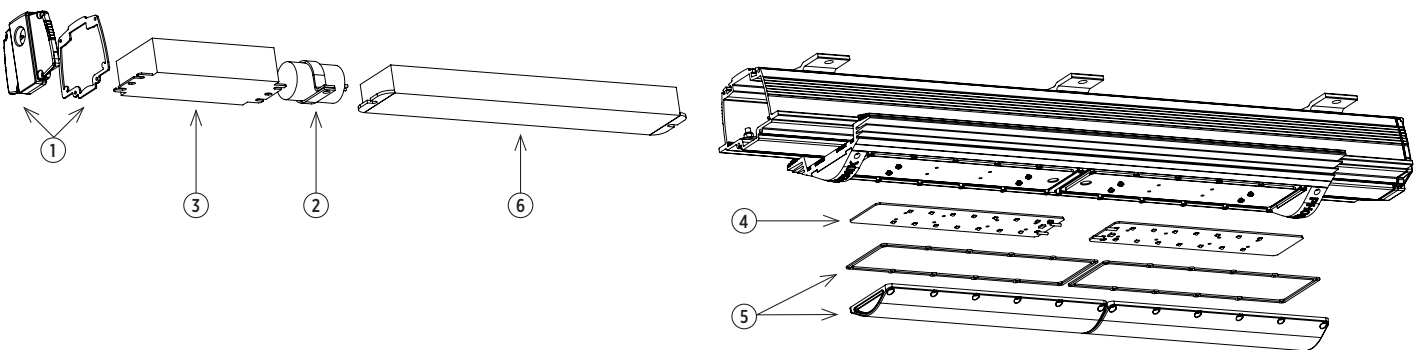


Figure 5: EMB Fixture Exploded View



Product design and specifications are subject to change without notice.

