

! CAUTION

- All wiring should be done by a licensed electrician in accordance with state codes, local codes, and National Electrical Code (NEC) or International Electric Commission (IEC) standards.
- Improper installation may result in serious injury and void warranty.
- Contains parts and assemblies susceptible to damage by electrostatic discharge (ESD).
- Surge protective devices should be utilized for fixtures installed in environments subject to power surges outside the specified operating parameters.

Wiring

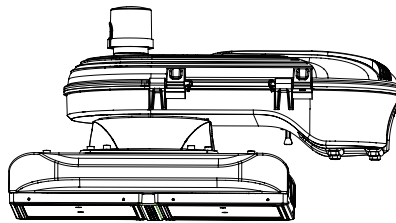
- (1) 16mm Allen wrench
- (1) 6mm Allen wrench
- (1) channel lock pliers

Mounting

The Soar™ Series mounts to a horizontal mast arm or tenon with a 2 in (42mm) O.D. or 2-3/8 in (60mm) O.D. This fixture is not designed to be mounted vertically. Before installation, please check that local voltage corresponds to operating voltage range on the fixture label.

960W Model Weight

69 lb (31.5 kg)



Standard Mast Arm

1. Loosen cap screws on driver box and unhinge clamps to gain access to electrical compartment.
2. Lift fixture and slide onto mast arm pipe. Level fixture using level indicator and tighten bolt screws securing fixture to mast arm (Figure 1).
3. Thread power supply cord through pipe and fixture and connect existing wires to terminal block.
4. To aim the light head, loosen six (6) cap screws on cover plate and rotate light head in preferred direction. Light head is rotatable 345° using aiming index. Tighten cover plate screws when done.
5. To change angle of tilt on fixture, loosen the four (4) bolt screws on bottom of driver box and adjust accordingly. Fixture allows +/- 7° tilt. Tighten screws to secure tilt angle (Figure 2).

Figure 1

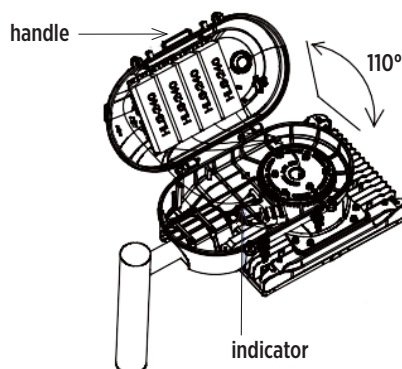
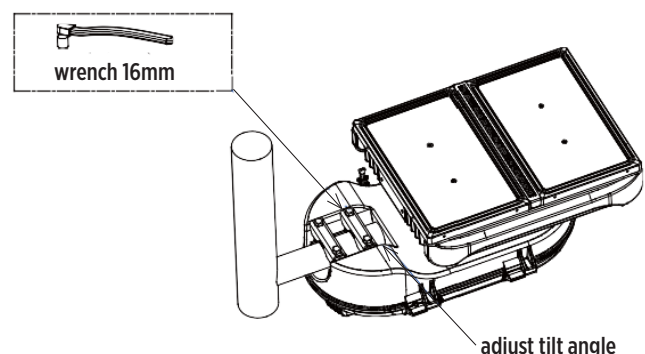


Figure 2

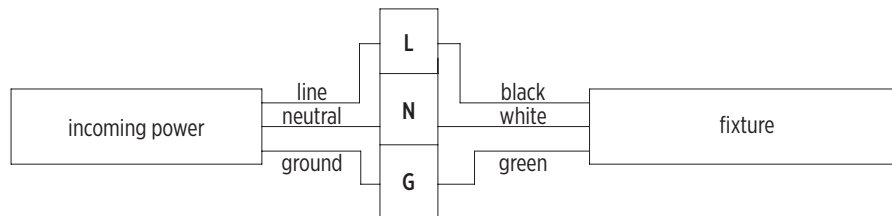


Wiring

1. Route main power cord through cord grip located on the back side of the wiring compartment.
2. Make wiring connections to the terminal block per the diagram below (Figure 3). Gently pull on each wire to ensure terminals are tight.
3. With jacket of power cord visible inside the wiring compartment, tighten cord grip, hand tight plus ¼ turn.
4. Close and seal wiring compartment cover. Tighten screws to 7 lb-in.

Note: Main power cord should be UL listed and cUL/CSA Certified 3-conductor wet location hard-usage flexible cord, rated min 18 AWG, with voltage and current ratings greater than or equal to the maximum ratings listed on the product label.

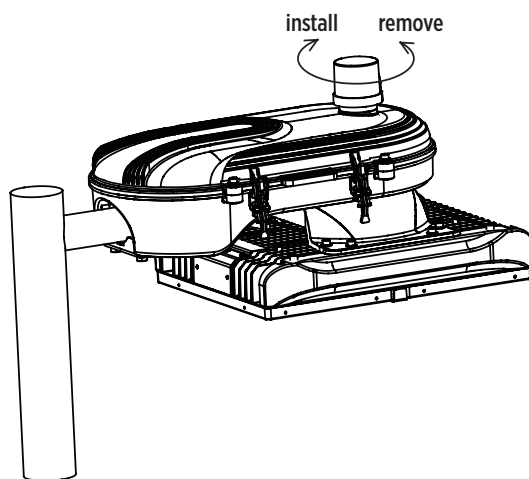
Figure 3



Photocell or LIT Wireless Controller

1. Insert photocell or controller into ANSI C136.41 twist-lock receptacle on top of driver box.
2. Gently push controller down and twist ¼ turn clockwise like below (Figure 4).

Figure 4



Product design and specifications are subject to change without notice.