

! CAUTION

- All wiring should be done by a licensed electrician in accordance with state codes, local codes, and National Electrical Code (NEC) or International Electric Commission (IEC) standards.
- Improper installation may result in serious injury and void warranty.
- Contains parts and assemblies susceptible to damage by electrostatic discharge (ESD).
- Surge protective devices should be utilized for fixtures installed in environments subject to power surges outside the specified operating parameters.

Mounting

The Wayfinder is shipped with two mounting options as standard. It can be mounted to a surface using the two tabs at either side of the fixture (see Figure 1) or to a bracket using the two tapped holes on the back of the fixture (see Figure 2). For best performance, mount with the back side of the fixture in a vertical orientation.

1. Identify the desired mounting location for fixture.
2. If mounting to a surface, use two (2) ¼ inch or 6 mm screws.
3. If mounting to a bracket, use two (2) M6 screws.

Figure 1

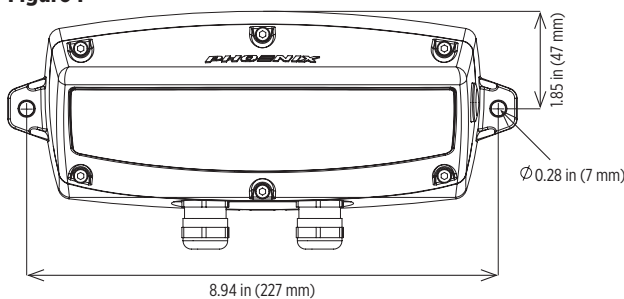
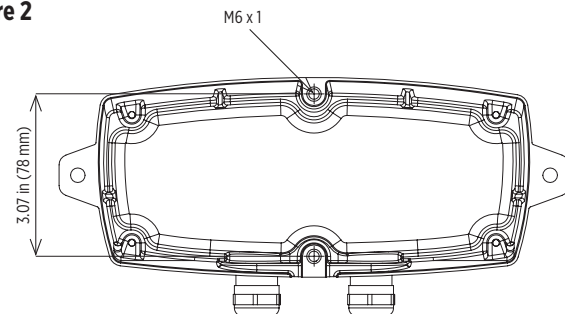


Figure 2



Wiring

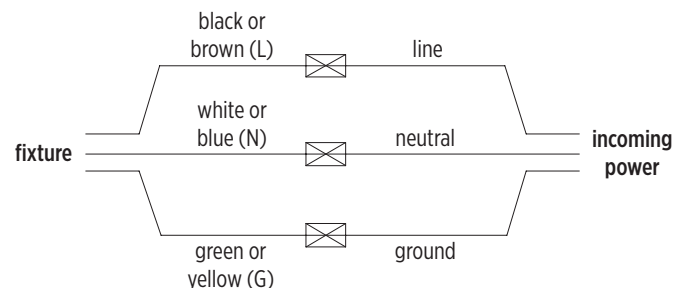
If fixture is provided with a cord installed:

1. Insert cord into a waterproof junction box (not provided).
2. Connect the wires according to Figure 3 (black to line, white to neutral, green to ground).

If fixture is not provided with a cord installed: Standard Wayfinder fixtures are provided with 2 cord grips that accommodate cord diameter 5-9 mm (0.20-0.35 inch). Customer-specific models may vary, contact factory for details.

1. Remove front half of fixture by loosening the six screws. Note that these are captive screws. Do not remove completely from cover.
2. Insert power supply cord into first cord grip far enough to see cord jacket. Tighten cord grip hand tight plus ¼ turn.
3. If installing with through-wire, install second cord same as Step 2.
4. Connect wires using connectors provided according to Figure 3 (black to line, white to neutral, green to ground).
5. Reattach cover. Use caution not to pinch wires between the two halves of the fixture.
6. Tighten screws to 20-23 lb-in (2.2 – 2.6 N-m).
7. If not installing with through-wire, insert blanking plug into unused cord grip. Tighten cord grip hand tight plus ¼ turn.

Figure 3



! CAUTION

- All wiring should be done by a licensed electrician in accordance with state codes, local codes, and National Electrical Code (NEC) or International Electric Commission (IEC) standards.
- Improper installation may result in serious injury and void warranty.
- Contains parts and assemblies susceptible to damage by electrostatic discharge (ESD).
- Surge protective devices should be utilized for fixtures installed in environments subject to power surges outside the specified operating parameters.
- Risk of fire and burns. Do not open, crush, heat above 100C or incinerate.
- Follow manufacturer's instructions.

EMBs

If fixture is provided with a cord installed:

1. Insert cord into a waterproof junction box (not provided).
2. Connect the wires according to Figure 4 (black to line, white to neutral, red to switch, green to ground).
3. Remove front half of fixture by loosening the six screws. Note that these are captive screws. Do not remove completely from cover.
4. Connect the two wires inside from the battery (see Figure 5).
5. Reattach cover. Use caution not to pinch wires between the two halves of the fixture
6. Tighten screws to 20-23 lb-in (2.2-2.6 N-m).

If fixture is not provided with a cord installed: Standard Wayfinder fixtures are provided with 2 cord grips that accommodate cord diameter 5-9 mm (0.20-0.35 in). Customer-specific models may vary, contact factory for details.

1. Remove front half of fixture by loosening the six screws. Note that these are captive screws. Do not remove completely from cover.
2. Insert power supply cord into first cord grip far enough to see cord jacket. Tighten cord grip hand tight plus ¼ turn.
3. If installing with through-wire, install second cord same as Step 2.
4. Connect wires using connectors provided according to Figure 4 (black to line, white to neutral, red to switch, green to ground).
5. Connect the two wires inside from the battery (see Figure 5).
6. Reattach cover. Use caution not to pinch wires between the two halves of the fixture.
7. Tighten screws to 20-23 lb-in (2.2 – 2.6 N-m).
8. If not installing with through-wire, insert blanking plug into unused cord grip. Tighten cord grip hand tight plus ¼ turn.

Figure 4

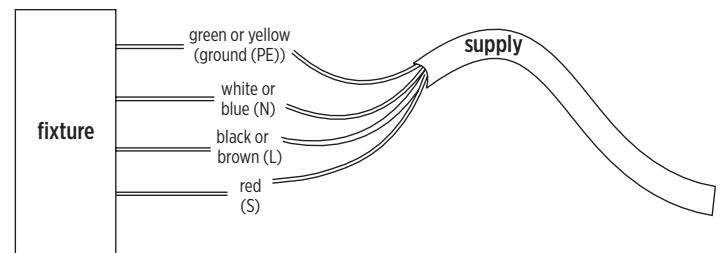
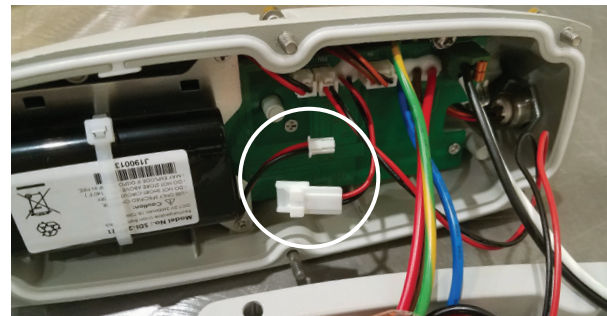


Figure 5



Maintenance

Periodic maintenance and cleaning are required to keep light fixture in peak operating condition. Buildup of dirt and/or debris on fixture will diminish performance, lead to premature failure and void warranty.

1. Inspect fixture monthly for build up of dirt and debris on lens and housing. Wash fixture with clean water and a soft towel. Do not use an abrasive cleaner or chemicals as this could cause damage to the lens.
2. Inspect fasteners, verify cord grips are tight and retighten as needed. Note: Cord grips should be hand tight plus ¼ turn.
3. For fixtures fitted with an emergency battery backup, press the button on the side of the fixture. LEDs should dim to about 50% light output if system is functioning correctly.

Amp Draw

	Standard	EMB
power draw	9W	12W
current at 277V	0.03A	0.04A
current at 120V	0.07A	0.10A
weight	1.8 kg (4.0 lb)	2.3 kg (5.0 lb)

