

! CAUTION

- All wiring should be done by a licensed electrician in accordance with state codes, local codes, and National Electric Code (NEC) standards or International Electric Commission (IEC) standards.
- Improper installation may result in serious injury and void warranty.
- Contains parts and assemblies susceptible to damage by electrostatic discharge (ESD).
- When using luminaires, basic safety precautions should always be followed to reduce the risk of fire, electric shock and personal injury.

Installation

1. Identify the desired mounting location for the fixture. Note that the Cube-Light can be mounted in any orientation.
2. The fixture should be mounted using the flush mount brackets (Item 5), and M6 or ¼ inch screws and lockwashers (not provided).
3. Electrical connections should be made by a licensed electrician. When wiring the fixture, please refer to the table below.

Wiring

The standard fixture is supplied without a cord and with internal connectors that accept up to 12AWG wire. Incoming power cable diameter should be ¼ to ¾ inches for use with standard supplied cord grips. To wire, open back cover plate (Item 7) by removing four screws. Open wago connectors and insert leads from customer-supplied cord following wiring chart below.

120V Fixture	240V Fixture	DC Fixture
black : line	red : line	black : negative (-)
white : neutral	white : neutral	white : positive (+)
green : ground (PE)	green : ground (PE)	n/a

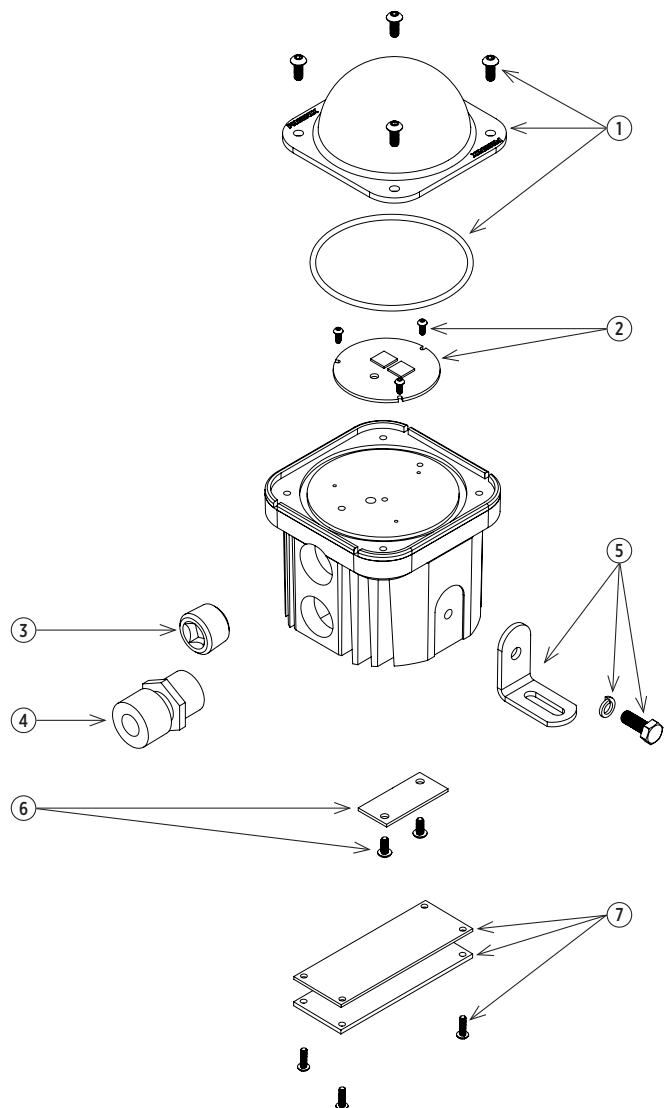
Replace back cover plate and torque screws to 6 inch-pounds.

To ensure a proper seal when installing a new cord grip or plug, it should torque to 80-90 inch-pounds.

When installing additional cord grips or plugs, thread sealing tape or paste is required.

Repair Parts List

Item	Part Number	Description
1	000082.900	lens kit
2	contact factory	LED board kit (120V)
3	7537800	plug
4	4035068 4035065	½ inch NPT cord grip (0.25-0.38 inch cord OD) ½ inch NPT cord grip (0.38-0.50 inch cord OD)
5	000082.904	mounting bracket kit
6	000082.903	surge board kit (120V)
7	000082.902	back cover plate kit



Fixture weight: 2.0 lb (0.9 kg)

Fixture dimensions: 3.50 in (89 mm) x 3.50 in (89 mm) x 4.20 in (107 mm)

Product design and specifications are subject to change without notice.

