

! CAUTION

- All wiring should be done by a licensed electrician in accordance with state codes, local codes, and National Electrical Code (NEC) or International Electric Commission (IEC) standards.
- Improper installation may result in serious injury and void warranty.
- Contains parts and assemblies susceptible to damage by electrostatic discharge (ESD).
- If the luminaire's external cable is damaged, turn the fixture off, remove from equipment and replace with a new luminaire to avoid a hazard or injury.
- The light source of this luminaire is not replaceable. When the light source reaches its end of life, the whole luminaire shall be replaced.
- Fixture is suitable for outdoor use.

Wiring

The standard fixture is supplied with a molded Deutsch connector.

Note: When inserting female end of Deutsch connector into male end, ensure you hear or feel the Deutsch connector click and engage.

Black is negative (-) and red is positive (+).

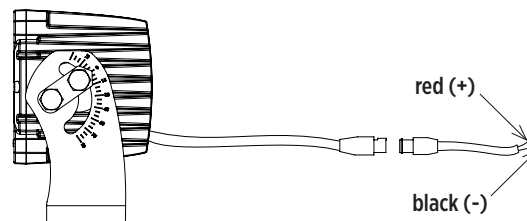
Wattage

	12V	24V	48V
LO	29W	24W	24W
MED	58W	48W	48W

Aiming Indicator

Optic	Nomenclature	Aiming Indicator Color
spot	SP	red
flood	FL	blue
elliptical	EP	black
no-glare driving	NG	silver

Figure 1: Wiring Diagram



Estimated Fixture Weight

LO	3.0 lb (1.4 kg)
MED	4.5 lb (2.0 kg)

Maximum Projection Area

LO	120 mm x 97 mm
MED	140 mm x 130 mm

Mounting

1. The Master Series comes standard with M10 mounting hardware (bolt, washer, nyloc nut) for securing the fixture to a mounting surface.
2. For high shock and high vibration applications, Phoenix recommends using two (2) mounting bolts when installing the MST-MED fixture to properly support the harp and prevent fixture rotation.

Note: The fixture can be surfaced mounted in any orientation on stationary or mobile equipment. Once secured to mounting surface, aim as desired and securely tighten M8 hex head screws on both sides of mounting harp.

Figure 2: Exploded View of MST-LO Mounting Hardware

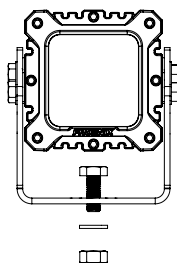
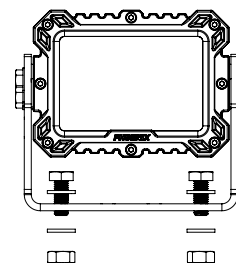


Figure 3: Exploded View of MST-MED Mounting Hardware



Installation Instructions

Figure 4: MST-LO Mounting Dimensions

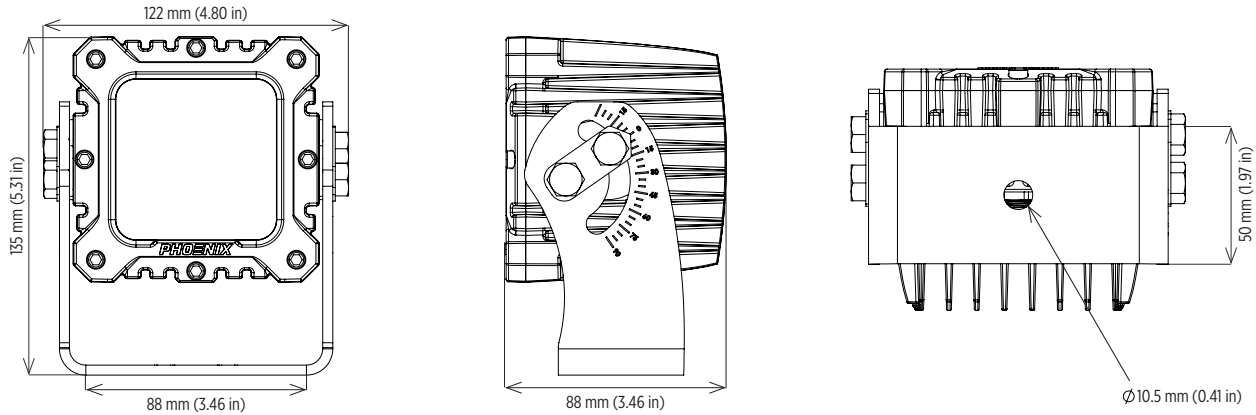


Figure 5: MST-MED Mounting Dimensions

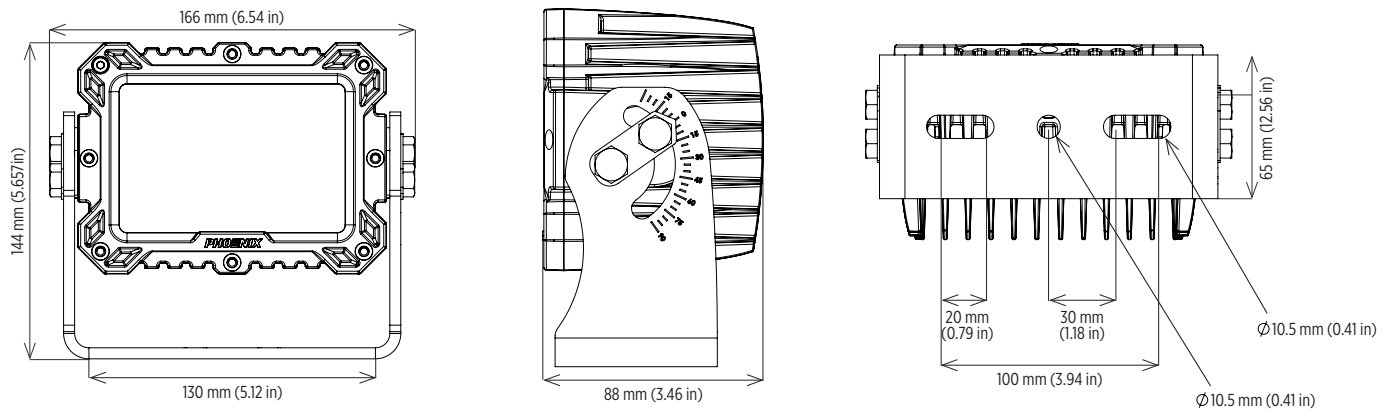
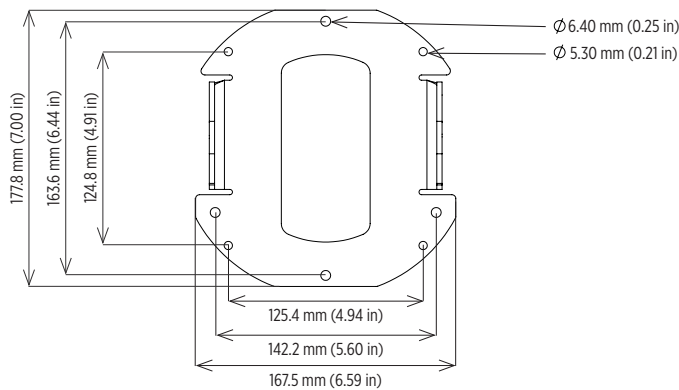


Figure 6: MST-MED-RND Mounting Dimensions



Maintenance

Periodic maintenance and cleaning are required to keep light fixture in peak operating condition. Buildup of dirt and/or debris on fixture will diminish performance, lead to premature failure and void warranty.

Inspect fixture monthly for build up of dirt and debris on lens and between fins of heatsink. Wash fixture with clean water and a soft towel. Do not use an abrasive cleaner or chemicals as this could cause scratches or other damage to the lens.

Note: The lens coating is designed to reduce buildup and minimize washdown time, but regular inspection and maintenance is still recommended to maximize fixture performance and fixture life.

Product design and specifications are subject to change without notice.