

! CAUTION

- All wiring should be done by a licensed electrician in accordance with state codes, local codes, National Electric Code (NEC) standards and International Electrotechnical Commission (IEC) standards.
- Improper installation may result in serious injury and void warranty.
- Contains parts and assemblies susceptible to damage by electrostatic discharge (ESD).
- Surge protective devices should be utilized for fixtures installed in environments subject to power surges outside the specified operating parameters.

General Information

Phoenix explosion-proof fixtures meet the requirements of UL Standards 1598, 1598A, 844 and CSA Standard C22.2, No.250, 94.0, 213.0, 137.0, 30.0 regarding electric luminaires for use in Class I, Div. 1, Groups C & D; Class I, Div. 2, Groups A, B, C, D; Class II, Div. 1, Groups F & G; Class II, Div. 2, Groups F & G; and Class III, Div. 1 & 2. For marine applications, installation must be in accordance with USCG 46 CFR parts 110 through 113.

Mounting and Wiring

This fixture is designed for wall or post mounting and requires a flat vertical surface 3.00 inch (76 mm) wide by 40.00 inch (1016 mm) high. The fixture is supplied with 72.0 inch (1830 mm) of 16 gauge wire for connecting at the wall mounted switch or junction box through ½ inch size flexible coupling. The wire entrance to the light head is factory sealed.

Wiring must comply with Class I Division 1 (paragraph 501-4) and Class II Division 1 (paragraph 502-4) wiring methods defined in "National Electric Code (NEC) 1984." Flexible coupling, junction box, and any other part required to complete wiring aren't furnished with the fixture. These items may be purchased from a local electrical distributor. (Refer to Table 1 on page 2 for a description of acceptable components).

Fixture Installation

1. Locate fixture at desired height on wall or other permanent support. Fasten wall mounting plate with four ⅜ inch (10 mm) bolts. (These are not furnished.) If it is necessary to mount light head in the alternate mounting position (Figure 2), (a) remove the friction joint hardware; (b) rotate the head with attached bracket 90°; and (c) reinsert friction joint hardware and tighten to obtain desired movement.
2. Locate power supply junction box or switch 28.80 inch (730 mm) from the fixture arm as shown in Figure 2. It is important to place the power supply junction box in line with the fixture arm's axis of rotation in order to minimize the amount of bending to the flexible coupling. Proper installation will ensure a minimum bend radius of 10.00 inch (254 mm) on the flexible coupling.
3. Attach 45° elbow and ½ inch size close nipple to sealed fitting and tighten. The open end of the elbow must be directed at the fixture wall mount after tightening.
4. Assemble flexible coupling, two close nipples, expansion union, and junction box. Route wiring as shown in Figure 2.
Note: All threaded connections must engage five (5) full threads.
5. Avoid placing fixture in a position that would (a) trap the flexible coupling; or (b) cause the flexible coupling to form less than a 10.00 inch (254 mm) bending radius.

Figure 1

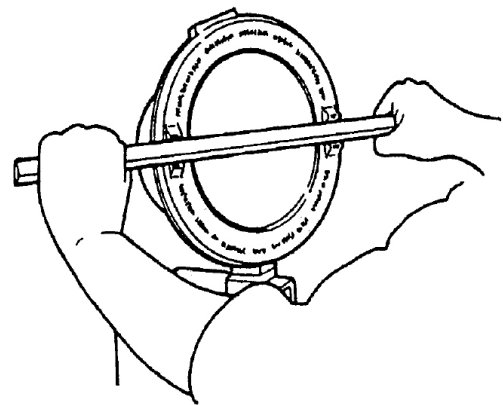
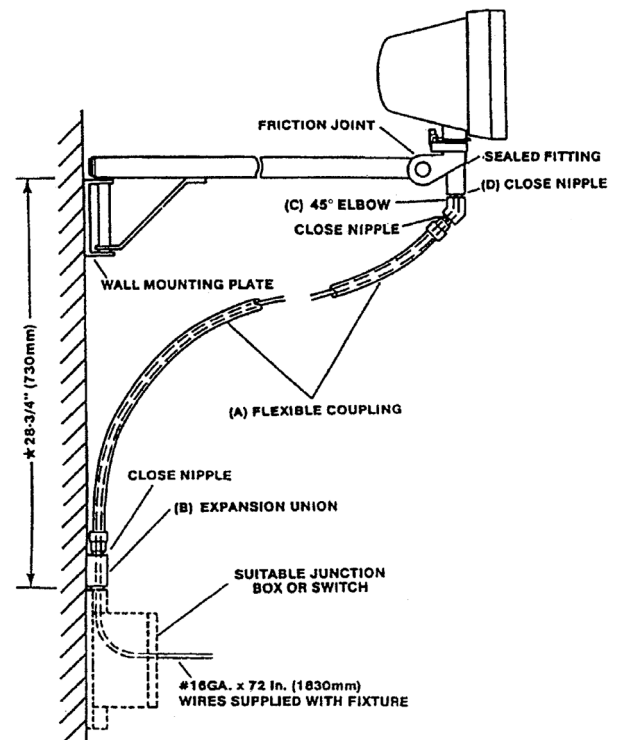


Figure 2



Aiming

Aiming along a horizontal plane (azimuth) is accomplished by swinging the wall mounted arm 180° to the desired direction, and/or by rotating the fixture head 230° to the desired direction. The fixture head can be aimed vertically 74° (arc), 14° above and 60° below the horizontal.

Note: The fixture head movement is limited to prevent bending the ½ inch size flexible coupling beyond its recommended 10.00 in (254 mm) minimum bending radius.

Note: Disconnect power before opening the fixture.

Replacement of Cover

Before replacing the cover, thoroughly clean the threads in both the cover and shell, and liberally lubricate the threads with a non-drying grease or petrolatum. This will enable the cover to be turned more easily and will facilitate its removal later.

Thread the cover onto the shell by hand until the cover contacts the shell o-ring. Use the rectangular steel bar to rotate the cover another ½th to ¾th of a turn or between 2.50 inch (64 mm) and 3.00 inch (76 mm) measured on the outside diameter.

Cover Glass Replacement

If the Cover Glass (Item 3 on page 3) is to be replaced, first loosen the Retaining Ring by turning it counter-clockwise with a hammer and drift punch applied to the lugs on the ring. Once loose, it may be rotated out by hand. Remove the Cover Glass and Cover o-ring. Replace these parts.

The threads in the Cover, Retaining Ring and Shell should be thoroughly cleaned and liberally lubricated with a non-drying grease or petrolatum to facilitate assembly and disassembly and to inhibit corrosion. After replacement of the Cover, o-ring and Cover Glass, the Retaining Ring must be tightened against the glass with the hammer and the drift punch until the clearance between the Cover Glass and the Cover is such that a 0.0015 inch (0.04 mm) feeler will not enter the joint more than ⅛ inch (3 mm) at any point, as shown in Figure 3.

Friction Joint Feature

The Friction Joint (See Figure 2) permits hand adjustment of the light head. If the friction joint loosens, tighten the locknut part of the joint to restore original tension. Do not lubricate the friction joint.

Figure 3

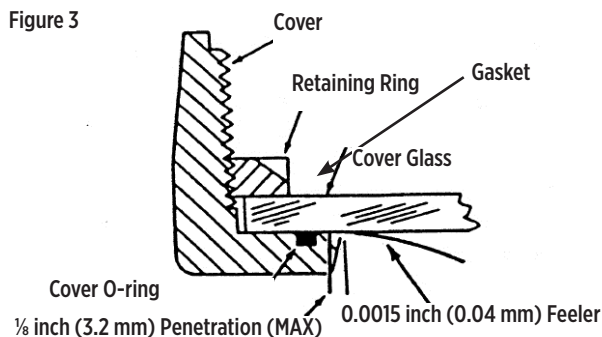
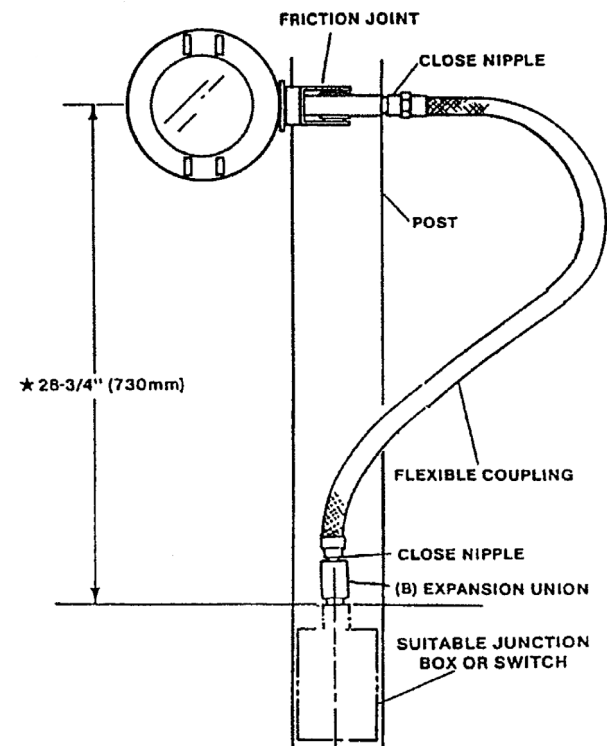


Table 1

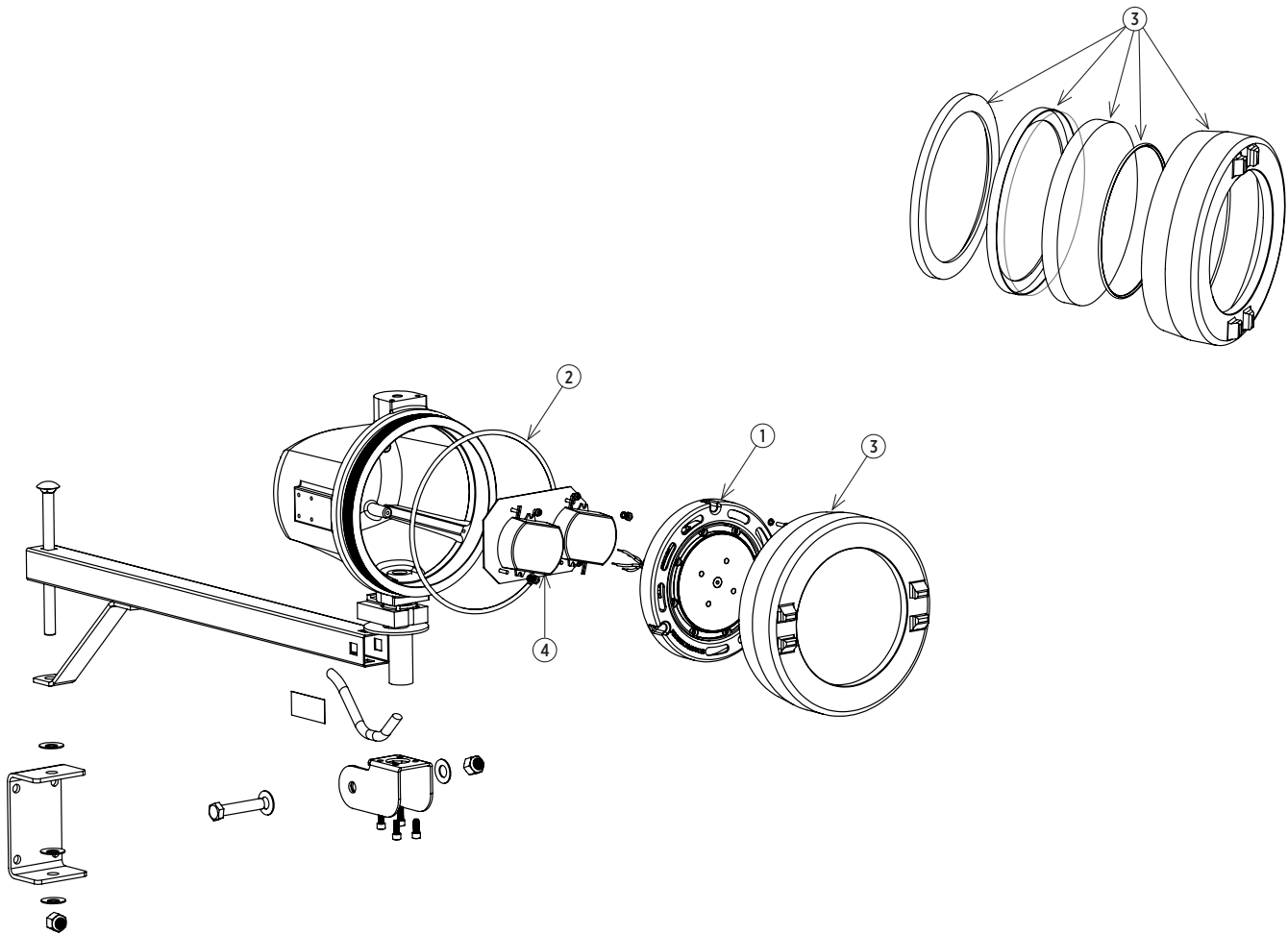
Item No. in Figure 2	Acceptable Components - UL Listed for Wiring Fixtures in Class I, Division 1, Groups C and D and Class II, Division 1, Groups F and G Installations
A	½ inch size diameter flexible coupling, 36.00 inch (914 mm) long with two removable close nipples
B	½ inch size diameter male expansion union - standard length
C	45° elbow for ½ inch size conduit
D	½ inch close nipple

Regular Mounting Position



ALTERNATE MOUNTING POSITION
(Class 1 application only)

Note: Mounting dimension from bottom surface of mounting arm to top outlet box must be held to maintain a minimum bending radius of 10.00 inch (254 mm) on the flexible coupling.



Repair Parts List

Item No.	Description	Part Number
1	LED module - flood optic	1804100
1	LED module - spot optic	1804101
2	gasket	5002203
3	lens cover assembly	1863204
4	driver	4380002

Maintenance

Periodic maintenance and cleaning is required to keep light fixture in peak operating condition. Buildup of dirt and/or debris will diminish performance, lead to premature failure and void the fixture's warranty.

Inspect fixture monthly or (more frequently if conditions require) for dirt and debris buildup on lens. Wash down with water as needed.