

## ! CAUTION

- All wiring should be done by a licensed electrician in accordance with state codes, local codes and National Electric Code (NEC) standards.
- Improper installation may result in serious injury and void warranty.
- Contains parts and assemblies susceptible to damage by electrostatic discharge (ESD).
- When using outdoor-use portable luminaires, basic safety precautions should always be followed to reduce the risk of fire, electric shock, and personal injury. See the following:
  - Use only three-wire outdoor extension cords that have three-prong grounding plugs and grounding receptacles that accept the appliance's plug.
  - Ground fault circuit interrupter (GFCI) protection is to be provided on the circuit(s) or outlet(s) to be used for the wet location portable luminaire. Receptacles are available having built-in GFCI protection and are able to be used for this measure of safety.
  - Use only with an extension cord for outdoor use, such as an extension cord of the cord type sw, sw-a, sow, sow-a, stw, stw-a, stow, stow-a, sjw, sjw-a, sjow, sjow-a, sjtw, sjtw-a, sjtow, or sjtow-a.
- These instructions include information for installations in both hazardous locations and marine locations. Many sections apply to both applications. The appropriate warning and special instructions should be followed, depending on the application. Only fixtures marked "electric fixtures for hazardous locations" are suitable for installation in hazardous locations.

## General Information

Phoenix's portable explosion-proof fixtures meet the requirements of UL Standard 1598, 1598A, 844 and CSA Standard C22.2, No.250 regarding electric luminaires for use in Class I, Div. 1, Groups C&D; Class I, Div. 2, Groups A, B, C, D; Class II, Div. 1, Groups F & G; Class II, Div. 2, Groups F & G; and Class III. For marine applications, installation must be in accordance with USCG 46 CFR parts 110 through 113.

## Attachment Plug

The attachment plug is provided by the user and shall have electrical ratings as required for the ratings of the portable luminaire. The flexible cord shall be fastened securely to the terminals of the attachment plug. All connections must be made so that no stray strands of any conductor contact live parts of opposite polarity or dead metal parts.

## Cord Replacement

The 50 foot supply cord and elbow is factory sealed. To replace cord, remove cover (see "Cover Removal" section below), LED module and driver. Disconnect the cord from the driver and from the ground terminal. Remove clips and retainer. Turn elbow cord assembly counterclockwise to remove.

To replace, coat the threads and flange area of the new elbow cord assembly with a lubricant such as: petrolatum or soap thickened mineral oil. Check entry hole to ensure o-ring is seated. Insert elbow cord assembly and turn clockwise until tight. Unscrew elbow until it is even with the harp, then attach clips and retainer. If the elbow prevents vertical aiming of the light, remove the clip and retainer, unscrew the elbow one turn only, and reattach the clips and retainer.

Connect black lead and white lead to the driver and the green lead to the ground screw in the shell. Reassemble the luminaire. If desired, the cord may be trimmed to 25 feet. **To maintain the rating, 25 feet of cord is required.**

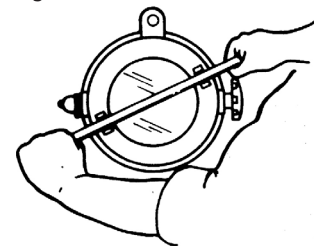
## Cover Removal

In most cases, a rectangular steel bar about 0.75 inch (19 mm) x 0.50 inch (13 mm) x approximately 30.00 inch (760 mm) can be placed between the lugs provided on the face of the cover and rotated counterclockwise to accomplish the removal (see Figure 1). Excessive force must not be used as bar may slip and cause injury.

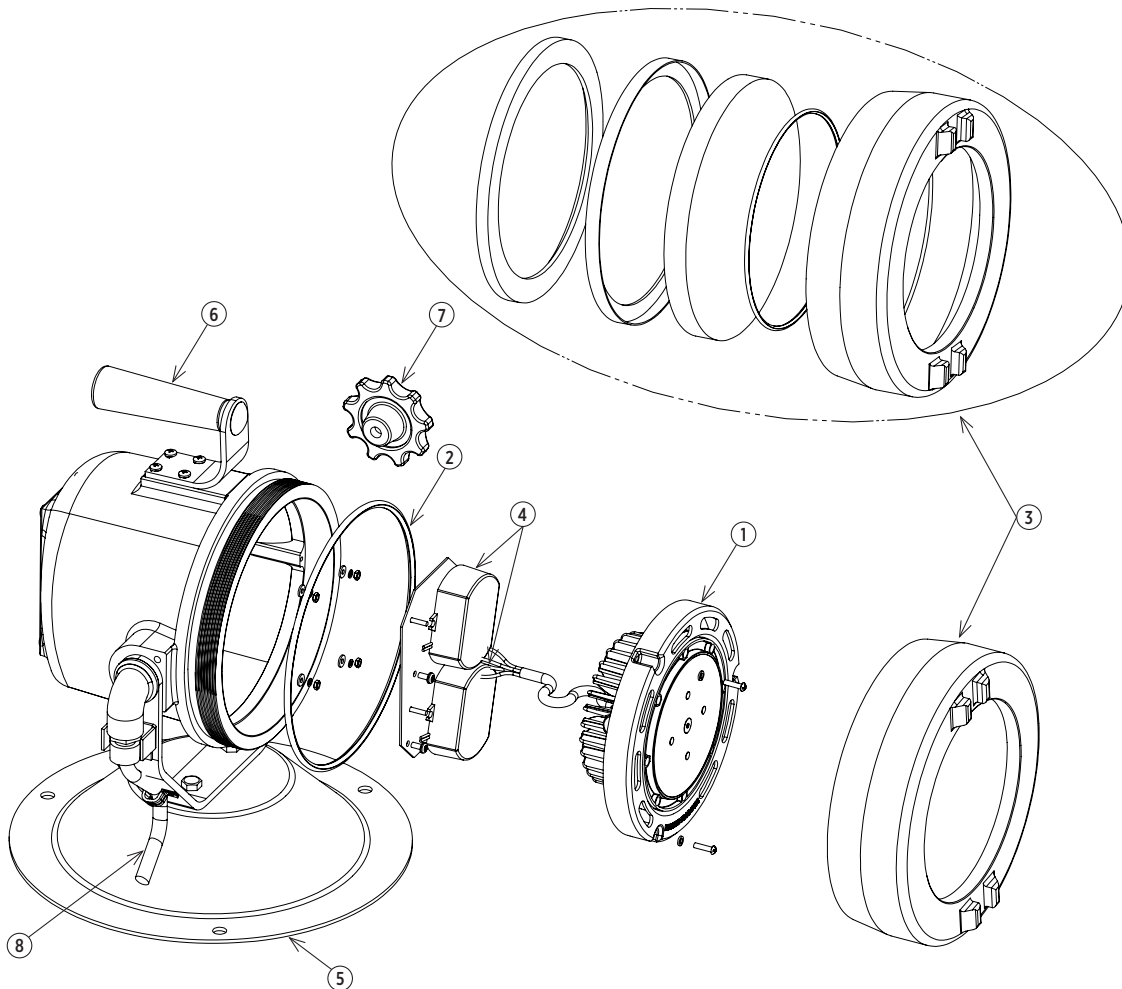
## Cover Replacement

Before replacing the cover, thoroughly clean the threads in both the cover and shell, and then lubricate threads with thin film of a non-drying grease or petrolatum. This will enable the cover to be turned more easily and will facilitate its removal later.

Figure 1



### Repair Parts



### Repair Parts List

Item No.	Repair Part	Part Number
1	LED module - flood optic	1804100
	LED module - spot optic	1804101
2	gasket	5002203
3	lens assembly	1863206
4	driver (2 required per fixture)	4380002
5	base	2725500
6	handle kit	1857310
7	tightening knob	1090000
8	elbow cord assembly (50 feet)	1857203

Product design and specifications are subject to change without notice.