



Linear fluorescent fixture rated for hazardous and wet locations

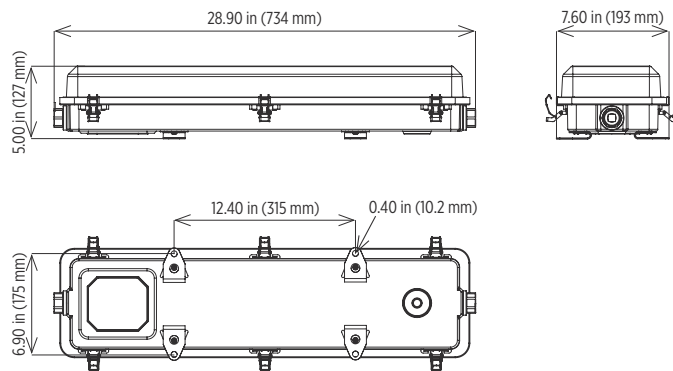
Marine grade components for superior corrosion resistance

Vibration-resistant, spring-loaded lamp holders for demanding applications

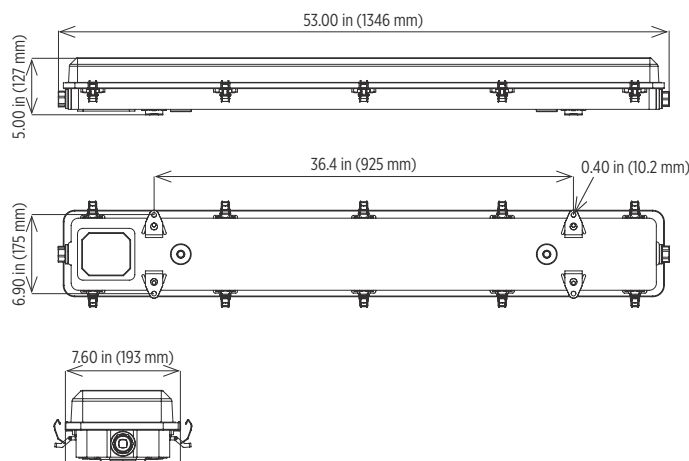
Available in two and four foot lengths

Dimensions

2 foot



4 foot



Specifications

Construction	Corrosion-free, high-impact, glass-reinforced, UV-stabilized nylon housing Thermoset high reflectance, white polyester powder-coated reflector
Hardware	Non-magnetic captive stainless steel
Lamp holders	Vibration-resistant, spring-loaded lamp holders
Lens	High-impact polycarbonate matte finish diffuser
Light source	17W, 32W and 54W fluorescent models available Lamps not included
Power source	120-277V, 50/60Hz Class P, Type H ballast Low temperature
Wiring	Terminal block - included Additional circuit through wiring (max two lamp 32W) - standard 3/4 inch NPT conduit opening on each end - 1 threaded plug provided
EMB	90 minute run with 1 lamp at a reduced light output
Mounting	Heavy duty, shock-resistant stainless steel mounting feet
Weight	2 foot - 8.7 lb (3.9 kg) 4 foot - 13.4 lb (6.1 kg)
Warranty	1 year

Contact factory for IES files

Compliances

UL/cUL Listed to:

- UL 1598 Wet Location
- UL 1598A Marine Inside Type Dripproof
- UL 844 Hazardous Location
 - Class I, Division 2 Groups A, B, C & D
 - Class I, Zone 2 Groups IIA, IIB, IIB+H₂ & IIC
- UL 924 Emergency Lighting Equipment



LFSD Series

Hazardous Location Fluorescent

Ordering Information

Example: LFSD-2-17-UNIV

Fixture	Lamps	Wattage	Voltage	Options
LFSD	2	17	UNIV	EMB ¹
		32		
		54		

Lamps	Wattage	Voltage	Options
2 Two lamps	17 F17 T-8 (med bi-pin, 2 foot)	UNIV 120-277V; 50/60Hz	EMB ¹ Emergency battery backup
	32 F32 T-8 (med bi-pin, 4 foot)		
	54 F54 T-5HO (mini bi-pin, 4 foot)		

Notes

- 1 EMB option not available on 54W model

Special Projects: We may be able to accommodate your special projects, so please don't hesitate to ask about additional options. Minimum order quantities and/or extended lead times will apply. Contact your Phoenix representative with specific inquiries.

Temperature Codes

Maximum Temperature		
Model	Ambient (C°)	Code (Operating Temp. C°)
17W LFSD	40	T5 (100)
32W LFSD	40	T5 (100)
54W LFSD	25	T3C (160)

Product design and specifications are subject to change without notice. The most current version of this specification sheet can be found on our website: www.phoenixlighting.com.