



Built for stability and smooth operation
Durable design in safety yellow for maximum visibility
Available in 40 and 60 inch lengths

Compliances

- ETL/cETL Certified to:
- UL 1598 Suitable for damp locations
 - CSA C22.2 No. 250.0 equivalent

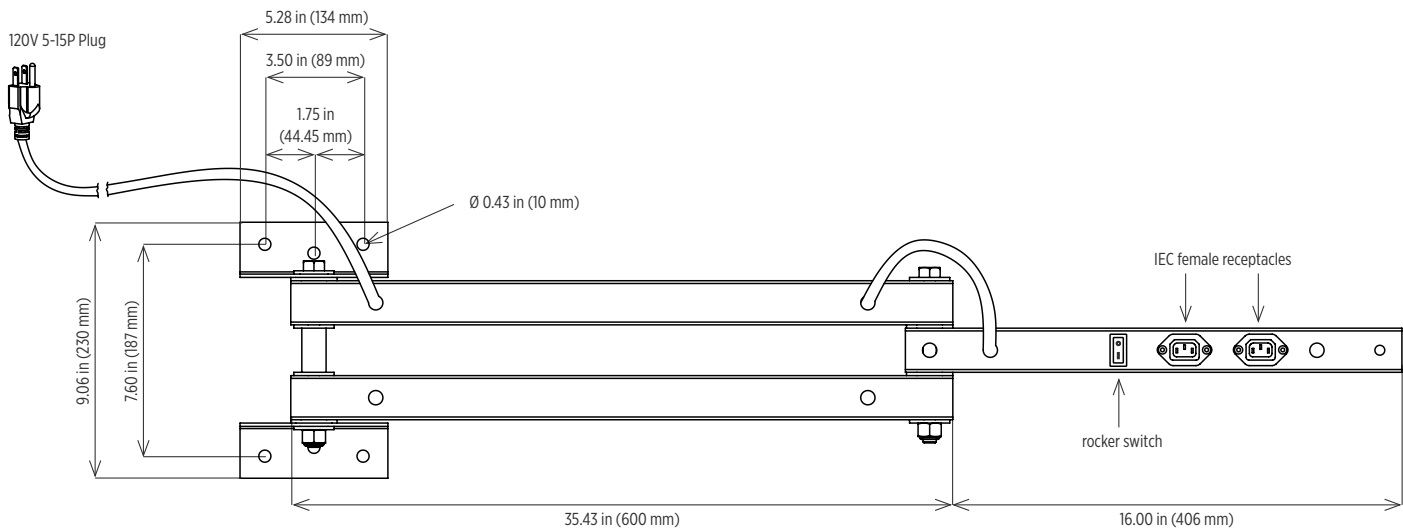
Specifications

Construction	1.60 inch square steel tube arms with lateral mobility joint Washers at all joints and bushings at bracket joints 40 and 60 inch double strut arms – standard
Finish	Safety yellow powder coat
Hardware	Zinc plated
Wiring	120V On-off switch and two (2) IEC type receptacles Ability to plug in and carry weight of dock light head and fan
Mounting	Powder coated steel mounting bracket
Warranty	1 year

Contact factory for IES files

Dimensions

40 Inch Arm

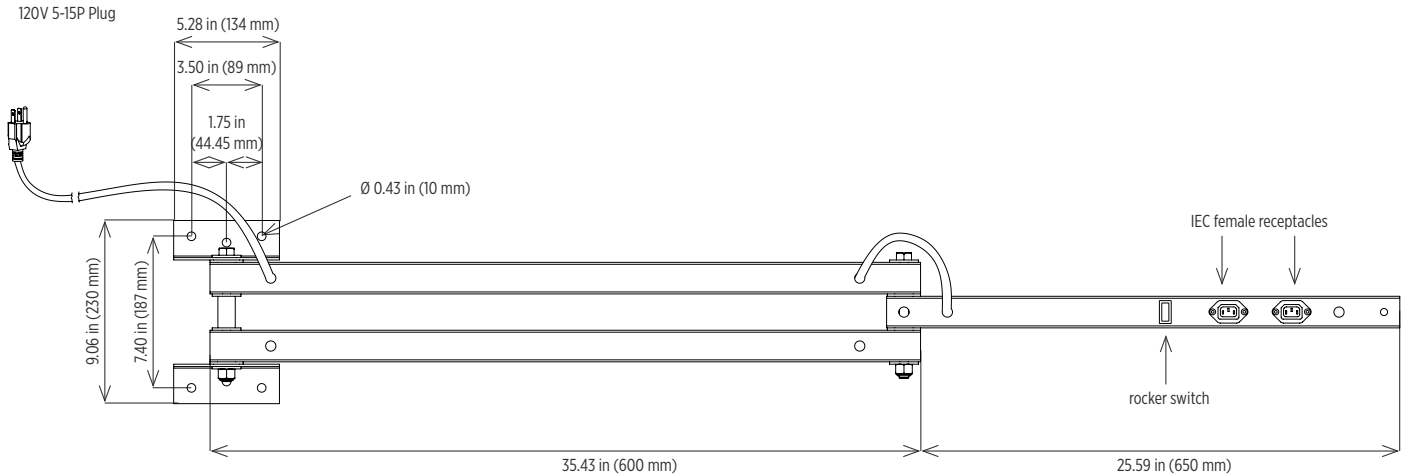


Modular *docklite*® Arm

Arms for Loading Dock Lighting

Dimensions

60 Inch Arm



Ordering Information

Example: DLSD-40-ARM-DS

Series	Length	Part	Construction
DLSD	40	ARM	DS
	60		

Special Projects: We may be able to accommodate your special projects, so please don't hesitate to ask about additional options. Minimum order quantities and/or extended lead times will apply. Contact your Phoenix representative with specific inquiries.

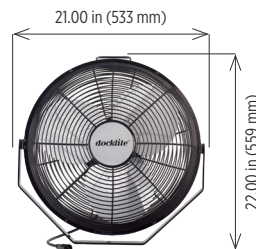
Accessories (order separately)



Modular Light Head
DL-INC-LH-LMP



LED Light Head
DLA2-12LED



Fan
DL-FAN-18

Product design and specifications are subject to change without notice. The most current version of this specification sheet can be found on our website: www.phoenixlighting.com.