



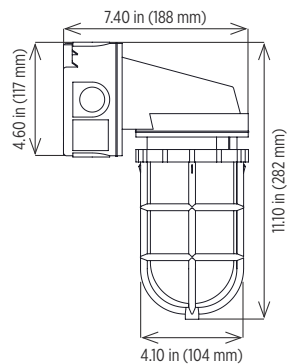
Vaporproof fixtures UL rated for hazardous and wet locations  
Durable design with marine grade components and vaporproof seal against outside elements

Maximum versatility with multiple mounting capabilities, lamp options and accessories

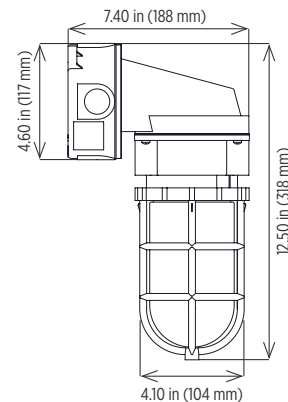
For use in food processing areas, stairwells, elevator pits and other demanding applications

### Dimensions

#### Incandescent Model

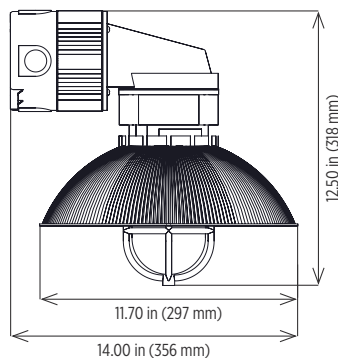


#### 26W Compact Fluorescent Model



#### Model with Polycarbonate Reflector

#### 26W CFL Model with Reflector



### Specifications

<b>Construction</b>	Engineering grade, nonmetallic thermoplastic construction Silicone gaskets
<b>Finish</b>	Gray finish on housing and guard
<b>Hardware</b>	External screws and inserts are corrosion resistant
<b>Globes</b>	Clear heat treated glass - standard Prismatic glass accessory
<b>Guard</b>	Guard is standard on fixture Thermoplastic polymer
<b>Reflector</b>	Clear, impact-resistant, prismatic polycarbonate reflector accessory
<b>Grounding</b>	Integral metal grounding frame delivers "hub-to-hub" grounding continuity
<b>Light source</b>	INC - A19 medium base, 75W maximum CFL - GX24q base, 26W Lamps not included
<b>Power source</b>	Integral ballast on fluorescent units
<b>Ambient operating temperature</b>	26W CFL: -23°C to +35°C INC: contact factory
<b>Mounting</b>	Units have four 3/4 inch threaded hubs with liquid tight knockouts Not approved for base down orientation For ceiling mounting, use without wall mount component
<b>Warranty</b>	1 year

For IES files, see website or contact factory

### Certifications

UL Listed to:

- UL 1598 Suitable for Wet Locations (all mounting types)
- UL 1598A Marine Outside Type (Saltwater)  
(reflector models not included)
- UL 844  
Class I, Division 2 Group A, B, C, D  
(with clear heat treated glass globe) (reflector model not included)
- Class 1, Zone 2 Group A, B, B+H2, C

ABS



Meets the requirements of the  
Buy American Act (BAA) and/or the  
American Recovery and Reinvestment Act (ARRA)



# Vaporproof Series

## Vaporproof Fixture

### Ordering Information

Example: VP-W-INC-120-GHC

Fixture	Mount	Wattage/Type	Voltage	Globes
VP	W <sup>1</sup>	INC <sup>2</sup> 26CFL <sup>3</sup>	120 277	GHC

Mount	Wattage/Type	Voltage	Globes
W <sup>1</sup> Wall	INC <sup>2</sup> Incandescent (75W maximum) 26CFL <sup>3</sup> 26W CFL (triple tube; 4-pin base)	120 120V, 60Hz 277 277V, 60Hz	GHC Clear heat treated glass (75W maximum)

#### Notes

- 1 Not approved for base down orientation. For ceiling mounting, use without wall mount component.
- 2 Screw-in, self-ballasted CFL or LED lamps are not for use in incandescent fixtures
- 3 Electronic ballast standard

**Special Projects:** We may be able to accommodate your special projects, so please don't hesitate to ask about additional options. Minimum order quantities and/or extended lead times will apply. Contact your Phoenix representative with specific inquiries.

### Accessories (field installed, sold separately)

#### Fusing

FUSE FLRST Fuse kit fluorescent; includes fuse holder and 1 amp, 300V fuse

#### Guard/Reflector

GCR Guard with clear reflector

*Fixtures with reflector are not Class I, Division 2 listed and are not recommended for outdoor marine use*  
*Fixtures with reflector are listed for Marine Inside Dripproof rating only*

#### Globes

GPC<sup>1</sup> Clear prismatic glass (75W maximum)

#### Notes

- 1 Not rated for UL844

Product design and specifications are subject to change without notice. The most current version of this specification sheet can be found on our website: [www.phoenixlighting.com](http://www.phoenixlighting.com).