

! CAUTION

- All wiring should be done by a licensed electrician in accordance with state codes, local codes and National Electric Code (NEC) standards.
- Improper installation may result in serious injury and void warranty.

Wiring

Install the male plug from the light head into the female receptacle adjacent to the switch in the arm assembly.

Install the male plug from the arm assembly into the nearest supply outlet (120V AC only). A rocker switch is built into the arm assembly. The rocker switch toggles closest receptacle.

Green is ground (PE), black is line and white is common.

Modular Head Mounting

The modular light head is mounted to the Phoenix modular arm using a carriage bolt.

1. Install end cap.
2. Insert carriage bolt through arm, washer and then harp. Use lock washer and nut to secure as shown in Figure 1.

Arm Mounting

This arm is designed for wall or post mounting and requires a flat vertical surface 5.25 inches (133 mm) wide and 9.40 inches (239 mm) high. Four (4) M10 x 1.5 or 3/8"-16 bolts are required for mounting.

Do not mount in a manner that will allow the wall arm to be trapped under an overhead door as it is closing or be exposed to the elements.

The recommended mounting height is 78.00 inches (1981 mm) or higher.

Select a location and drill four (4) holes using arm brackets for a template.

The modular docklite arms are compatible with all versions of the Phoenix modular docklite head and can be mounted with a head below and fan above, with a fan below and a head above, or with two light heads.

Determine the desired orientation of the receptacles. In most cases, you will want the receptacles on the side of the arm facing away from the door. (In some cases the Phoenix label may be upside down.)

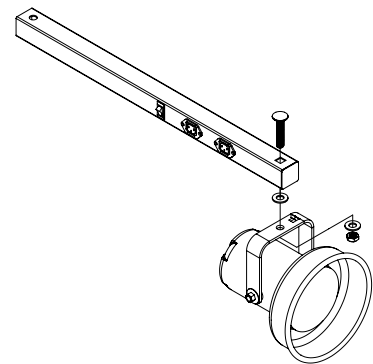
Mounting Surfaces

If mounting to a solid surface, lag bolts with lead anchors are recommended.

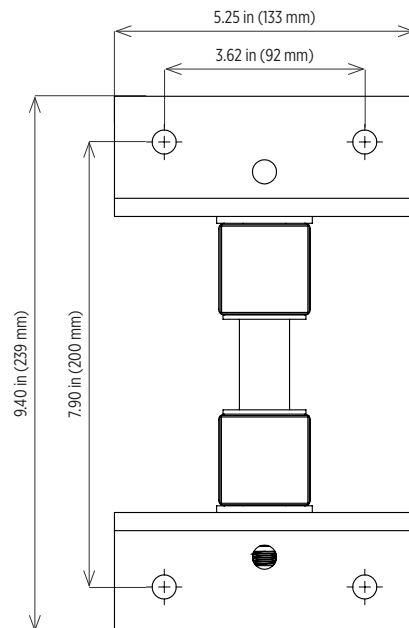
If mounting to a hollow wall with no access to the backside, toggle bolts with expansion wings should be used.

If mounting on a hollow wall with access to the backside, use 3/8" inch bolts with large thrust washers under the nuts on the backside of the wall.

Figure 1



Wall Mounting Plate



Product design and specifications are subject to change without notice.

