

## ! CAUTION

- All wiring should be done by a licensed electrician in accordance with state codes, local codes and National Electric Code (NEC) standards.
- Improper installation may result in serious injury and void warranty.

## Wiring

Install the male plug from the light head into the female receptacle adjacent to the switch in the arm assembly.

Install the male plug from the arm assembly into the nearest supply outlet (120V AC only). A rocker switch is built into the splice compartment on the arm assembly.

Green is ground (PE), black is line and white is common.

## Modular Head Mounting

The modular light head is mounted to the Phoenix modular arm using a carriage bolt.

1. Install end cap.
2. Insert carriage bolt through arm, washer and then harp. Use lock washer and nut to secure as shown in Figure 1.

## Mounting

This fixture is designed for wall or post mounting and requires a flat vertical surface 4.00 inches (102 mm) wide and 6.00 (152 mm) inches high. Four (4) 3/8 inch bolts are required for mounting.

Do not mount in a manner that will allow the wall arm to be trapped under an overhead door as it is closing.

The recommended mounting height is 78.00 inches (1981 mm) or higher.

Select a location and drill four holes using bracket for a template.

## Mounting Surfaces

If mounting to a solid surface, 3/8 inch lag bolts with lead anchors are recommended.

If mounting to a hollow wall with no access to the backside, toggle bolts with expansion wings should be used.

If mounting on a hollow wall with access to the backside, use 3/8 inch bolts with large thrust washers under the nuts on the backside of the wall.

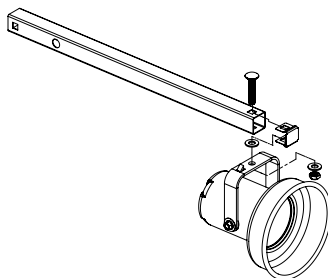
## Flex Arm Feature

The 42 inch and 60 inch models are unique in that the outer arm can flex 240° vertically and 300° horizontally with a touch of the hand. The arms and light heads of all models will stay where directed without need of further loosening or tightening. We call this "Touch Control".

Touch control is also valuable in preventing damage from overhead doors or carelessly used fork lift trucks.

Normally the flexible arm joint will not require service for many years. If the normal tension should eventually loosen and allow the outer arm to droop, tighten the horizontal bolt just enough to restore the original action. Do not over tighten.

Figure 1



# Modular *docklite*® Arm Assembly

Installation Instructions

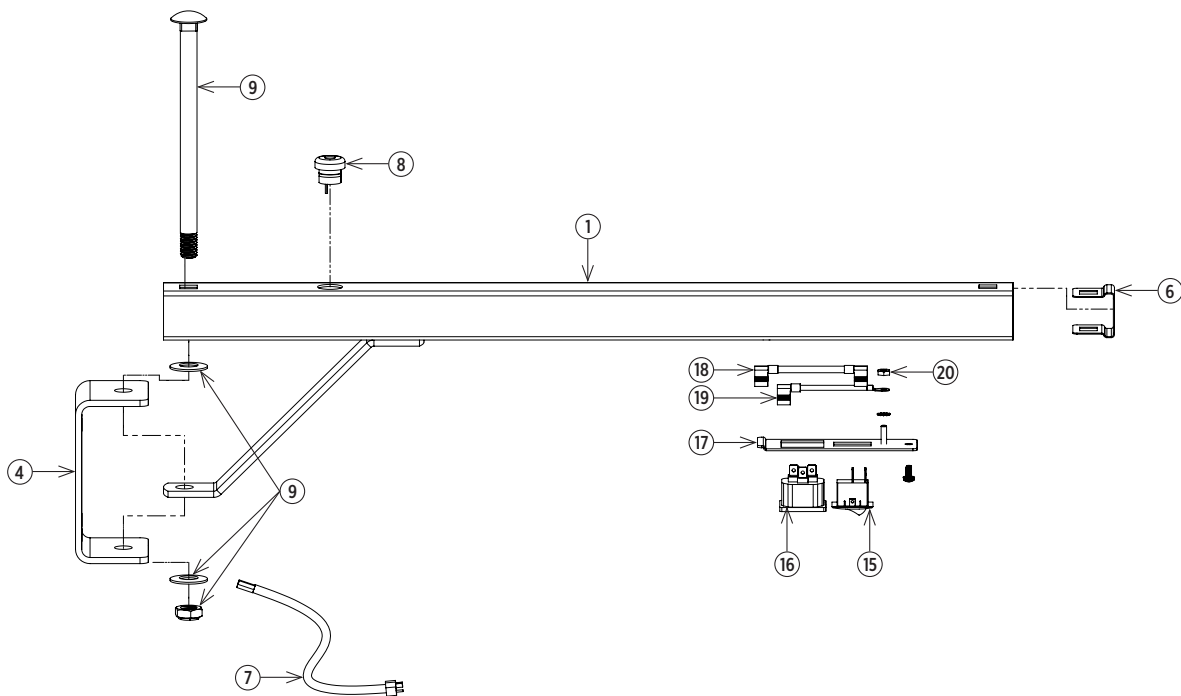
**PHOENIX**®  
DURABILITY X DESIGN™

## Repair Parts List

Item	Description	Model No. DL-24-Arm	Model No. DL-42-Arm	Model No. DL-60-Arm
1	wall arm	1510030	1510040	1510041
2	lamp arm	-	2110010	2110011
4	wall mounting plate	2602701	2602701	2602701
6	end cap	5100600	5100600	5100600
7	cord set with plug	4130050	4130050	4130050
8	strain relief bushing	4030200	4030200	4030200
9	wall joint hardware	1153200	1153200	1153200
11	flexible joint hardware	-	1157400	1157400
12	flexible with friction washers	-	1160014	1160014
13	flexible joint hardware	-	1157800	1157800
15	switch	1865260		
16	receptacle			
17	cover plate			
18	jumper wire	4130090	4130090	4130090
19	ground wire	4130080	4130080	4130080
20	ground wire hardware	1160030	1160030	1160030

## Repair Parts

### Model No. DL-24-ARM



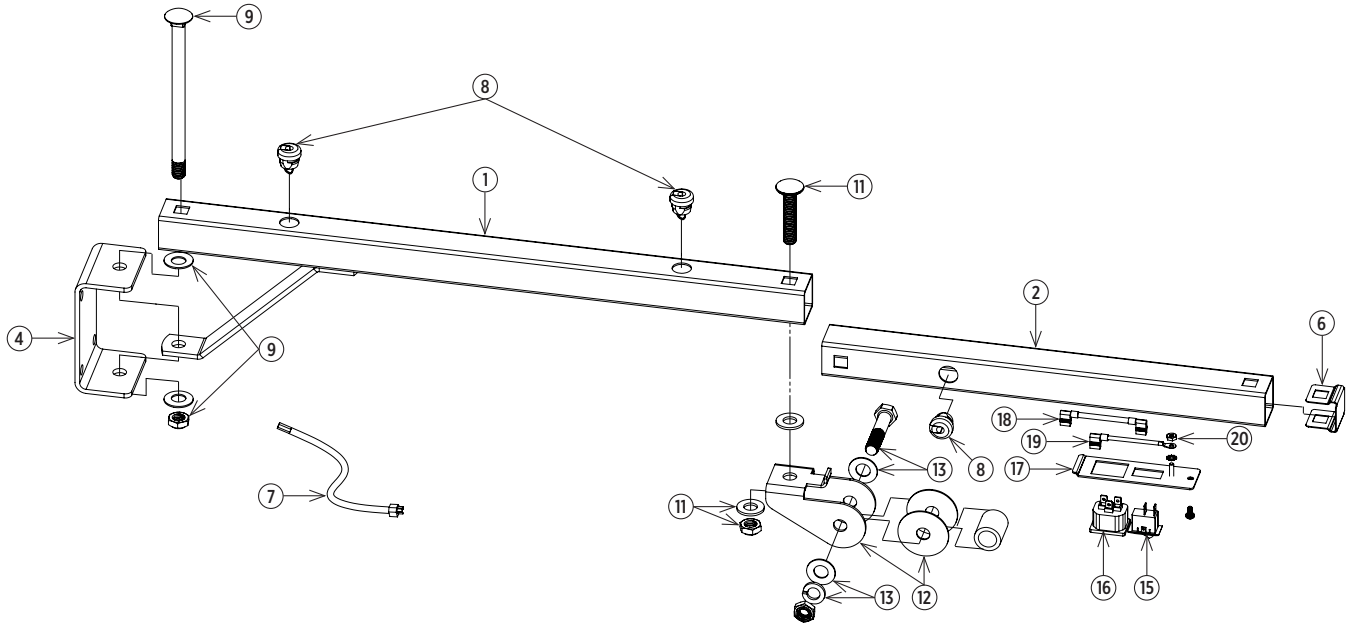
# Modular *docklite*® Arm Assembly

Installation Instructions

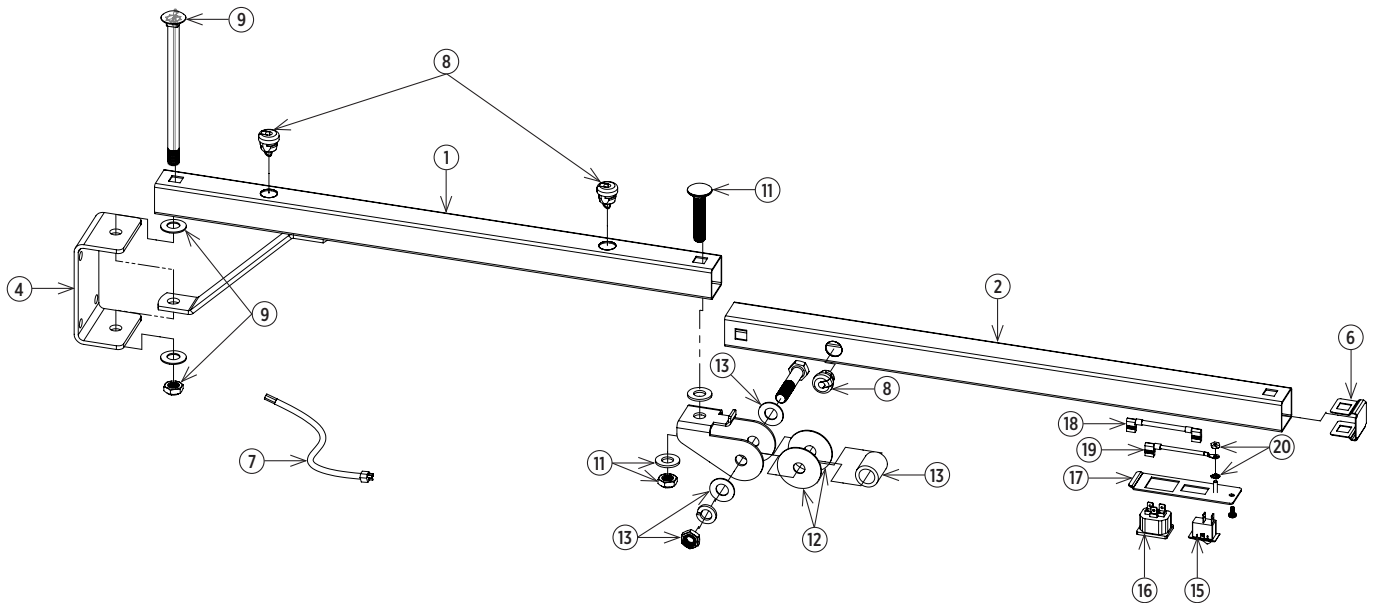
**PHOENIX**<sup>®</sup>  
DURABILITY X DESIGN™

## Repair Parts (continued)

Model No. DL-42-ARM



Model No. DL-60-ARM



Product design and specifications are subject to change without notice.