



Compact fixture design delivers up to 1000 lumens  
Competitive pricing with short lead times  
Ideal replacement for jelly jars and all  
wall mount vaporproof fixtures  
LED technology increases efficiency, eliminates  
maintenance and supports green initiatives

### Key Applications

Accessways  
Doorways  
Above Deck & Below Deck Lighting  
Machine Rooms  
Area Lighting  
Indicator Lighting  
Tunnels  
Walkways

### Compliances

ETL/cETL Certified to:

- UL 1598 Suitable for Wet Locations
- UL 1598A Marine Outside Type (Saltwater)
- CSA C22.2 No. 250.0

CE  
IP66  
ABS  
LM79 and LM80 reports available  
Buy American Act (BAA)

### Specifications

<b>Construction</b>	Cast aluminum housing Marine grade cast aluminum wall mount bracket Marine grade cast aluminum junction box (optional)
<b>Finish</b>	White thermoset powder coat (fixture)
<b>Hardware</b>	Marine grade (316) stainless steel
<b>Lens</b>	Impact-resistant, diffuse polycarbonate Color lens kit accessories are available (AMB-CL, BLU-CL, GRN-CL, RED-CL)
<b>Light source</b>	Up to 1000 lumens (13W) Conformal coating CRI ≥ 80 CCT 5000K 50,000 hour rated life
<b>Power source</b>	120-240V, 50-60Hz
<b>Wiring</b>	Stranded wires
<b>Outlets</b>	One ½ inch NPT outlet for power connection
<b>Ambient operating temperature</b>	-30°C to +50°C
<b>Weight</b>	4.0 lb (1.8 kg)
<b>Warranty</b>	3 years

For IES files, see website or contact factory



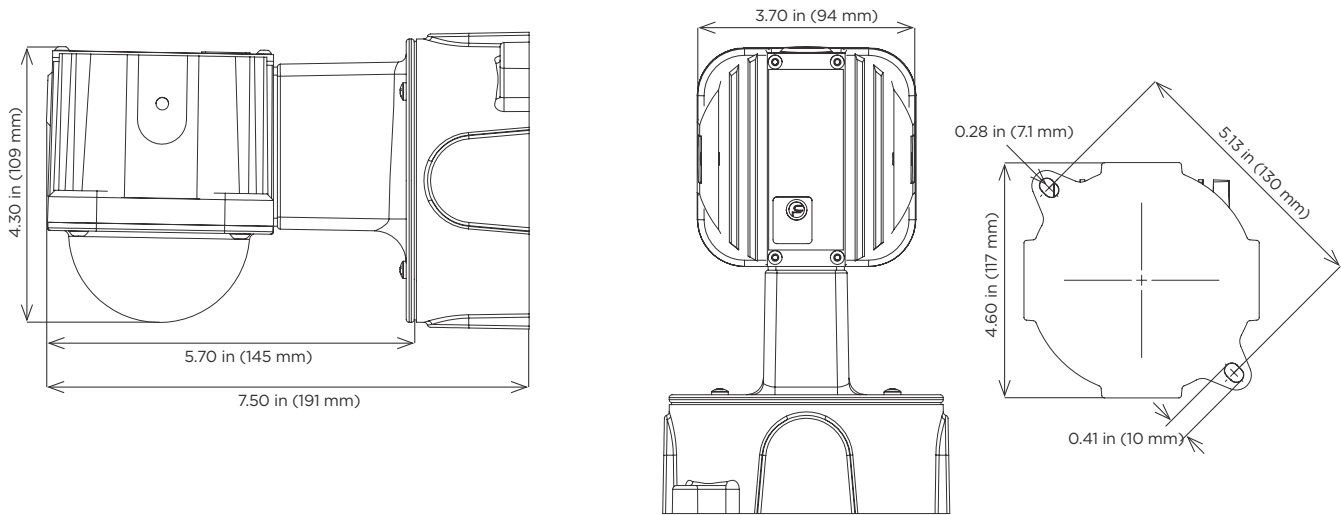
This product complies with domestic preference requirements such as BAA or TAA. For additional information, visit [phoenixlighting.com](http://phoenixlighting.com) or consult your representative.

# Cube-Light Wall Mount

Compact LED Area Light

**PHOENIX**<sup>®</sup>  
DURABILITY X DESIGN™

## Dimensions



## Ordering Information

Example: CLW-13LED-120-240

Fixture	Wattage/Type	Voltage	Options
CLW	13LED	120-240 <sup>1,2</sup>	NB

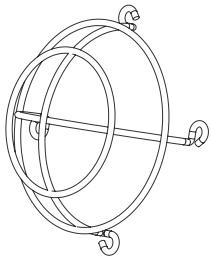
Wattage/Type	Voltage	Options
13LED Up to 1000 lumens (13W)	120-240 <sup>1,2</sup> 120-240V, 50/60Hz	NB No junction box

### Notes

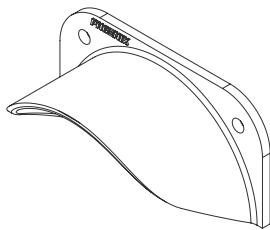
- 1 ETL/cETL listed
- 2 CE

**Special Projects:** We may be able to accommodate your special projects, so please don't hesitate to ask about additional options. Minimum order quantities and/or extended lead times will apply. Contact your Phoenix representative with specific inquiries.

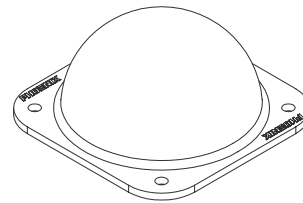
## Accessories (order separately)



**Wire Guard Kit**  
WG-CL



**Visor Kit**  
VSR-CL



**Color Lens Kits**  
 AMB-CL amber lens kit  
 BLU-CL blue lens kit  
 GRN-CL green lens kit  
 RED-CL red lens kit