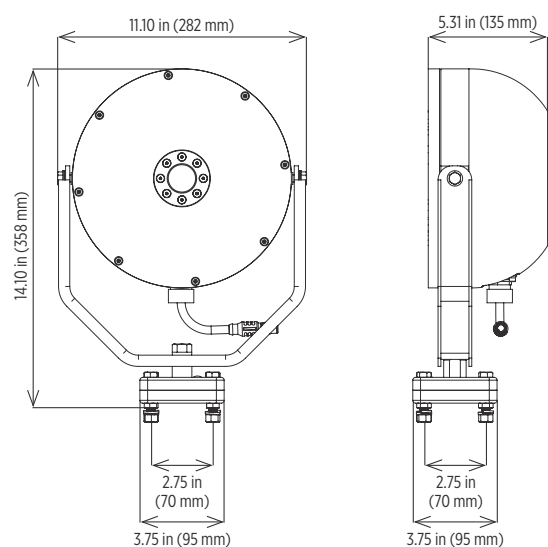




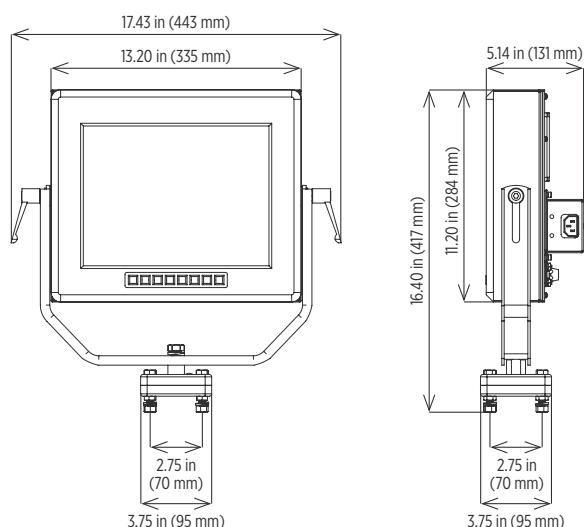
Designed to operate in harsh environments characterized by shock, vibration and airborne debris
 For installation on earth-moving equipment such as mining shovels, haul trucks and draglines
 Converts the heat signatures of objects in its view into images displayed on in-cab monitor
 enabling the operator to “see” through dust, rain, snow, smoke and fog
 Increases safety on job sites and raises profitability by reducing wait times

Dimensions

Imager



Monitor



Specifications

Construction	Marine grade aluminum imager housing Steel monitor housing
Finish	White thermoset powder coat on imager housing and shock mount base Black thermoset powder coat on monitor housing and shock mount base
Hardware	Stainless steel hardware
Lens	Replaceable germanium lens
Imager	320 x 270 LWIR sensor 35° HFOV x 27° VFOV Visible range up to 985 feet (300 m) Automatic image optimization (AGC)
Monitor	LCD flat panel screen with anti-reflective coating 10.40 inch (264 mm) - standard Absorbs up to 50g shock
Power source	Multi-volt AC (120-230V, 50/60Hz) - standard Low voltage 12V or 24V DC-DC power supply options
Wiring	30 meter cable assembly standard with complete unit (connects imager and monitor)
Ambient operating temperature	-40°C to +80°C (imager)
Mounting	Steel mounting bracket on shock mount base
Weight	Imager housing: 15.0 lb (6.8 kg) Monitor housing: 17.0 lb (7.7 kg)
Warranty	1 year

Contact factory for IES files



Ordering Information

Example: IS2K-00

System	Type	Voltage ²	Monitor
IS2K	00 ¹	12V	10MN
	00S	24V	

Type		Voltage ²		Monitor	
00 ¹	NTSC video output, 30Hz frame rate	12V	12 volts	10MN	10.40 inch (264 mm) monitor
00S	NTSC video output, 7.5Hz frame rate	24V	24 volts		

Notes

- 1 This equipment is export controlled by the US Government. Diversion contrary to US law is prohibited.
- 2 Multi-volt AC (120-230V, 50/60Hz) - standard

Special Projects: We may be able to accommodate your special projects, so please don't hesitate to ask about additional options. Minimum order quantities and/or extended lead times will apply. Contact your Phoenix representative with specific inquiries.

Product design and specifications are subject to change without notice. The most current version of this specification sheet can be found on our website: www.phoenixlighting.com.