



Third generation floodlight designed to withstand the world's harshest and most demanding environments

Custom designed, high temperature optics improve safety, increase efficiency and maximize operator comfort

Optional Amber LEDs increase visibility and productivity in high fog, dust, and snowy conditions

Robust construction ideal for high vibration, high temperature and hazardous applications

Key Applications

- Draglines
- Electric rope shovels
- High bay lighting
- Waterline perimeter lighting
- General deck flood lighting
- Chemical processing & storage
- Wastewater treatment plants
- Aft wheelhouse lighting
- Deck flood lighting
- Portal crane lighting
- Bulk handling
- Vessel perimeter lighting
- Maintenance hangars
- Hazardous locations

Compliances

ETL/cETL Certified to:

- UL 1598 Suitable for Wet Locations
- UL 1598A Marine Outside Type (Saltwater)
- UL 844 Hazardous Location (-40°C to + 50°C)
 - Class I, Division 2 Groups A, B, C, D
 - Class I, Zone 2 Groups IIC
 - T4, 135°C maximum surface temperature
- CSA C22.2 No. 250.0
- CSA C22.2 No. 137

CE

ABS

IP66

IP67

IP69K

DLC (contact factory)

LM79 and LM80 reports available

FCC Part 15, Subpart B, Class A standards for conducted and radiated emissions.

Buy American Act (BAA)

Build America Buy America Act (BABA)



This product complies with domestic preference requirements such as BABA. For additional information, visit phoenixlighting.com or consult your representative.



This product complies with domestic preference requirements such as BAA or TAA. For additional information, visit phoenixlighting.com or consult your representative.

Specifications

Construction	Marine grade cast aluminum housing Adjustable powder coated steel mounting harp
Finish	Black thermoset powder coat 2-step finish
Hardware	Marine grade (316) stainless steel
Lens	Clear, tempered glass
Surge Protection	20kV (20kA)
Light source	Up to 15,000 lumens, 121W (LO); 30,000 lumens, 231W (HI); 52,500 lumens, 438W (MAX) Cool white (50K), neutral white (40K), Red 625nm (RED), or Amber (AM) LEDs CRI > 70 - standard Other CCT options available - contact factory 50,000 hour rated life
Power source	120-277V, 50-60Hz; 277-480V, 50-60Hz 0-10V dimming option (DIM) Overload, over-voltage, over-temperature and short-circuit protection
Wiring	72.00 inch (1829 mm) cord with pigtail Stranded wires Ability to continuous row mount
Ambient operating temperature	-40°C to + 60°C (LO & HI models) -40°C to + 50°C (MAX model)
Mounting	Indexed aiming and lockable in 5° increments Alternative brackets to match legacy hole patterns (B1)
Vibration	6G at resonant frequency
Weight	LO - 31.0 lb (14.1 kg) HI - 39.6 lb (18.0 kg) MAX - 49.2 lb (22.3 kg)
Warranty	5 years

For IES files, see website or contact factory

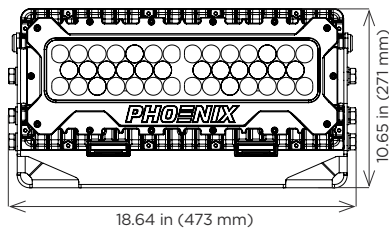
ModCom® 3 Series

Heavy Duty LED Floodlight

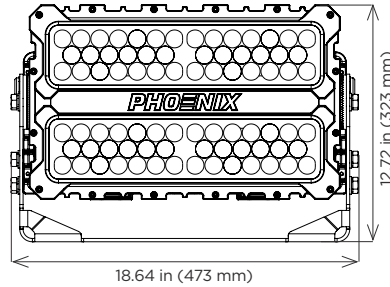
PHOENIX®
DURABILITY X DESIGN™

Dimensions (Standard)

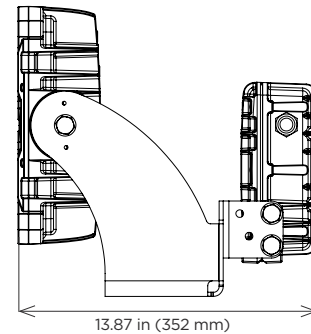
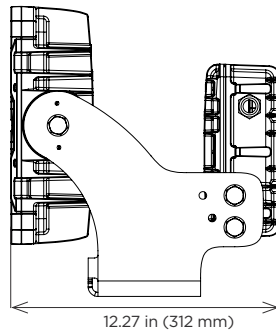
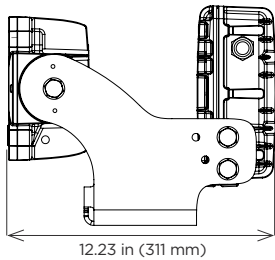
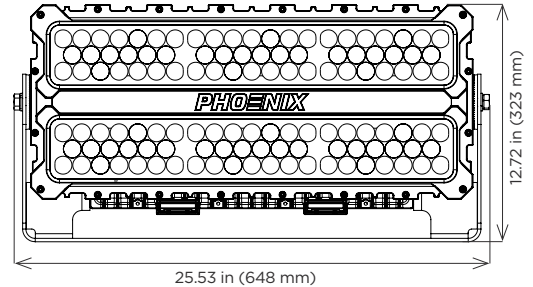
LO Model



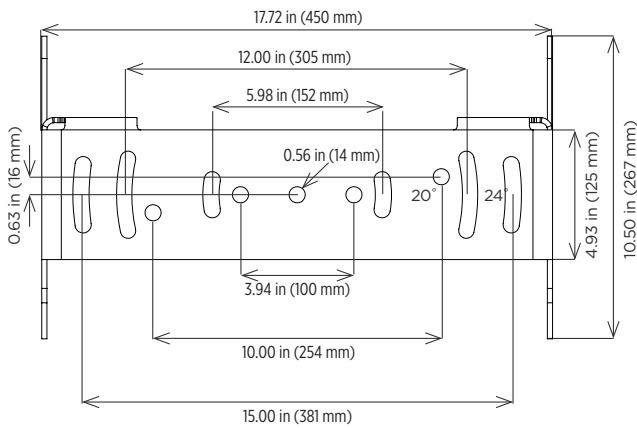
HI Model



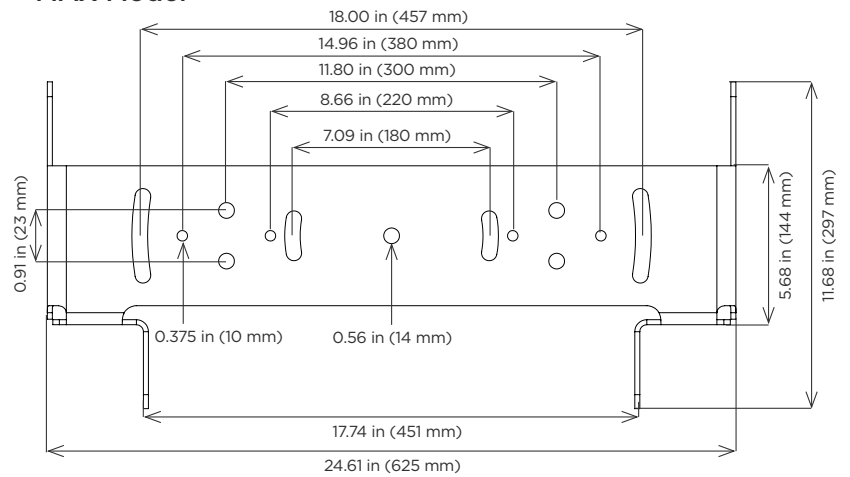
MAX Model



LO & HI Model

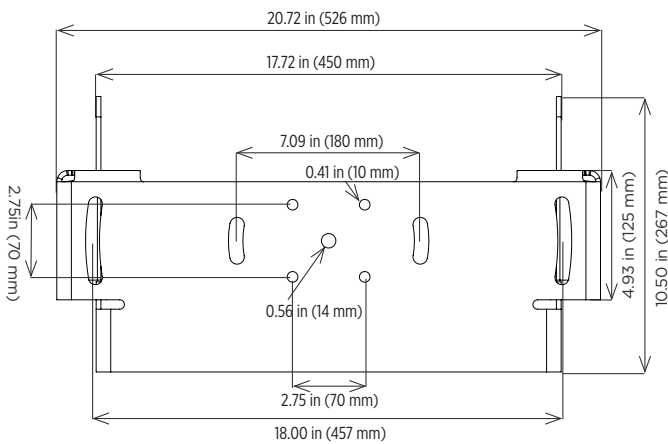
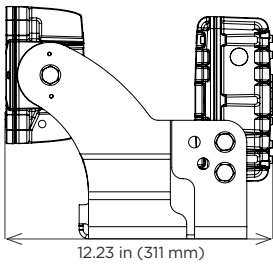
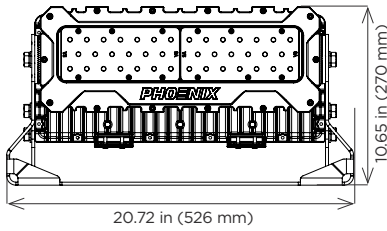


MAX Model

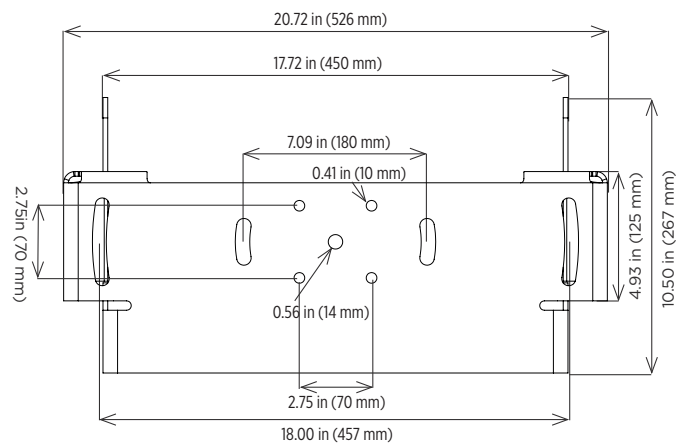
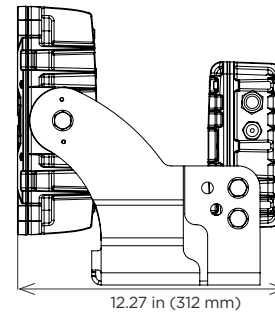
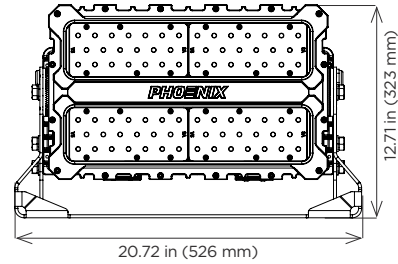


Dimensions (Alternative Bracket 1, B1)

LO Model (B1)



HI Model (B1)



Ordering Information

Example: MC3-LO-MF-120-277-50K

Fixture	Model	Optic	Voltage	Color Temperature	Options	Alternate Bracket ²
MC3	LO	WF	120-277	40K	DIM	B1 ³
	HI	MF	277-480	50K		
	MAX	WS		AM ¹		
		SP		RED ^{1,4}		
		VS				
		NG				

Model

LO up to 15,000 lumens, 121W
 HI up to 30,000 lumens, 231W
 MAX up to 52,500 lumens, 438W

Optic

WF Wide flood
 MF Medium flood
 WS Wide spot
 SP Spot
 VS Very narrow spot
 NG No-glare/perimeter

Voltage

120-277 120-277V, 50-60Hz
 277-480 277-480V, 50-60Hz

Color Temperature

40K Neutral white (4000K) LEDs
 50K Cool white (5000K) LEDs
 AM¹ Amber LEDs
 RED^{1,4} Red LEDs (625nm)

Options

DIM Dimmable (0-10V)

Alternate Bracket²

B1³ Alternate bracket B1

Notes

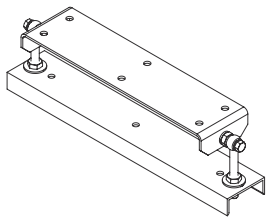
- 1 Lower light output than standard cool white models
- 2 Leave blank for standard mounting bracket
- 3 Accommodates original ModCom®/MRSE®/MRS mounting pattern (LO & HI only). Replaces the mounting adapter bracket (AMB-MC2) used on ModCom 2®
- 4 Not available with UL 844 Hazardous Location rating

Special Projects: We may be able to accommodate your special projects, so please don't hesitate to ask about additional options. Minimum order quantities and/or extended lead times will apply. Contact your Phoenix representative with specific inquiries.

Optics Chart

Optic	Description	Nema	Field Spread	HWHM
WF	Wide Flood	7H X 6V	113.6°V x 138.6°H	33°
MF	Medium Flood	5H X 5V	84.9°V X 88.5°H	2°
WS	Wide Spot	5H X 5V	67.0°V x 68.4°H	15°
SP	Spot	4H X 4V	54.2°Vx 55.5°H	12°
VS	Very Narrow Spot	2H X 2V	24.3°V X 24.8°H	7°
NG	No Glare Perimeter	5H X 4V	59.7°V X 74.6°H	32°

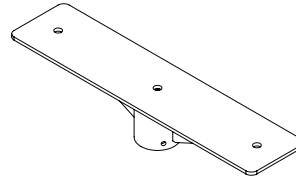
Accessories (order separately)



Boom Mount Kit
BMK-LO/HI/MAX



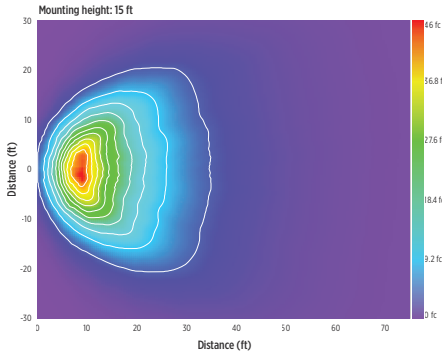
Safety Cable Kit
SFCB-EM/MC



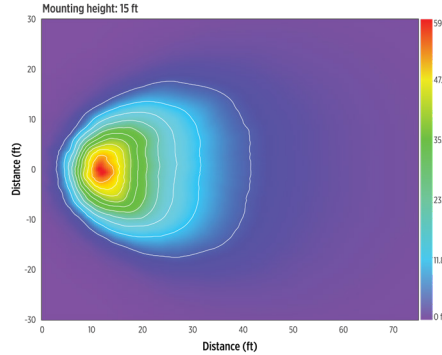
2 3/8 inch Tenon Mount
PTM-LO/HI
(LO & HI models only)
PTM-MAX
(MAX models only)

Isolux Charts

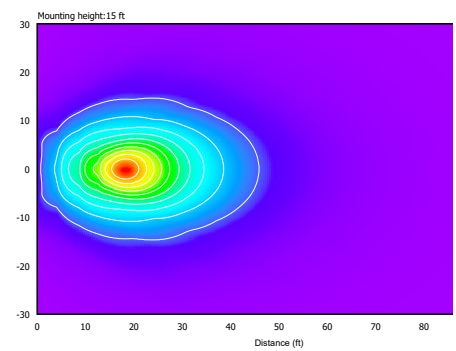
MC3-HI - Wide Flood



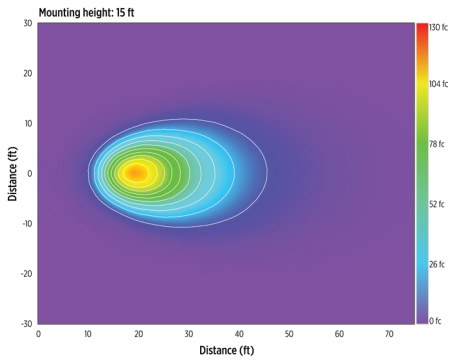
MC3-HI - Medium Flood



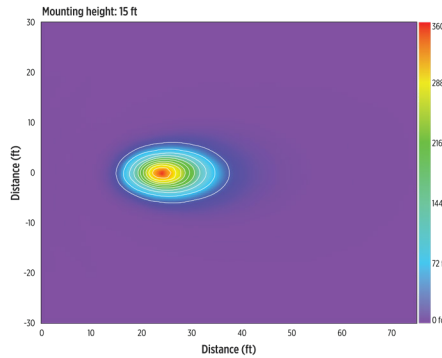
MC3-HI - Wide Spot



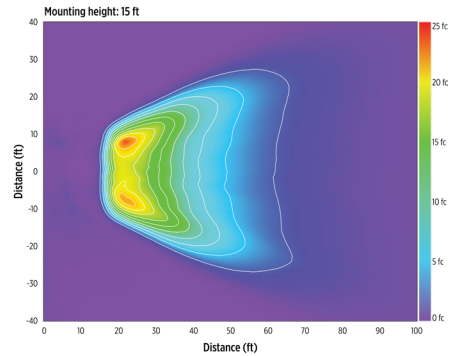
MC3-HI - Spot



MC3-HI - Very Narrow Spot



MC3-HI - No-Glare



Product design and specifications are subject to change without notice. The most current version of this specification sheet can be found at www.phoenixlighting.com.