

## ! CAUTION

- All wiring should be done by a licensed electrician in accordance with state codes, local codes, and National Electric Code (NEC) standards or International Electrotechnical Commission (IEC) standards.
- Improper installation may result in serious injury and void warranty.
- Contains parts and assemblies susceptible to damage by electrostatic discharge (ESD).
- If the external flexible cable or cord of this luminaire is damaged, it shall be replaced with a cord with equivalent markings and ratings or a cord exclusively available from the manufacturer.
- The light source contained in this luminaire shall only be replaced by the manufacturer or his service agent or a similar qualified person.
- To reduce the risk of strangulation the flexible wiring connected to this luminaire shall be effectively fixed to the wall if the wiring is within arm's reach.
- Surge protective devices should be utilized for fixtures installed in environments subject to power surges outside the specified operating parameters.
- Ensure control circuits (dimming circuits) are adequately separated from primary circuits (incoming AC supply circuit) when installing control devices or control wiring.
- CAUTION To reduce the risk of ignition of hazardous atmospheres, disconnect the luminaire from the supply circuit before opening. Keep tightly closed when in operation.

## Ambient Temperature

$-40^{\circ}\text{C} \leq T_{\text{amb}} \leq +50^{\circ}\text{C}$

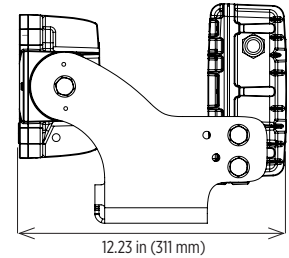
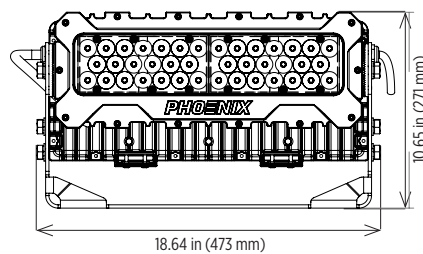
## Weight & Dimensions

LO - 31.0 lb (14.1 kg)

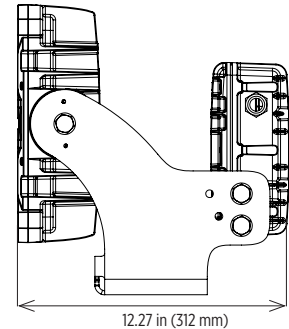
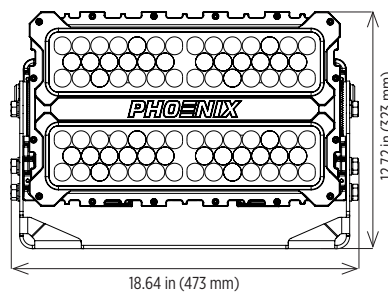
HI - 39.6 lb (18.0 kg)

MAX - 49.2 lb (22.3 kg)

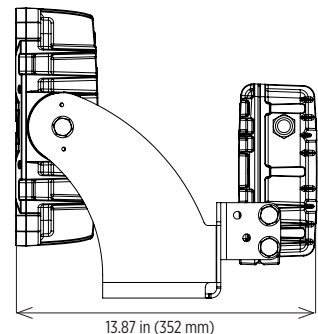
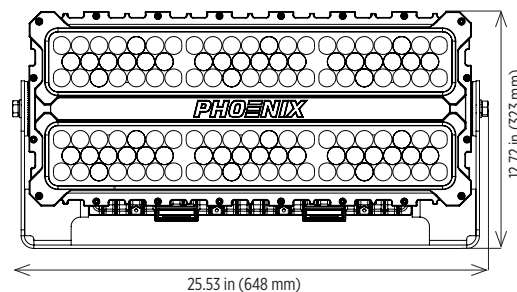
LO Model



HI Model



MAX Model



# ModCom<sup>®</sup> 3 & EcoMod<sup>®</sup> 3 Series

## Installation Instructions instructions d'installation

### Wiring

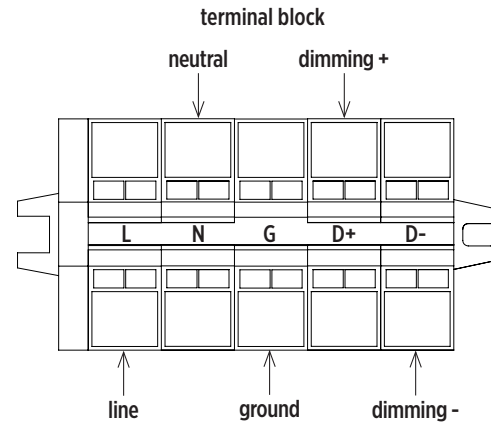
The standard fixture is supplied with a six foot cord and pigtail.

Green/yellow is ground (PE), brown is hot and blue is common.

Standard fixture to accommodate wire gauges ranging from 28 AWG (0.08 mm<sup>2</sup>) to 12 AWG (2.5 mm<sup>2</sup>).

### Mounting

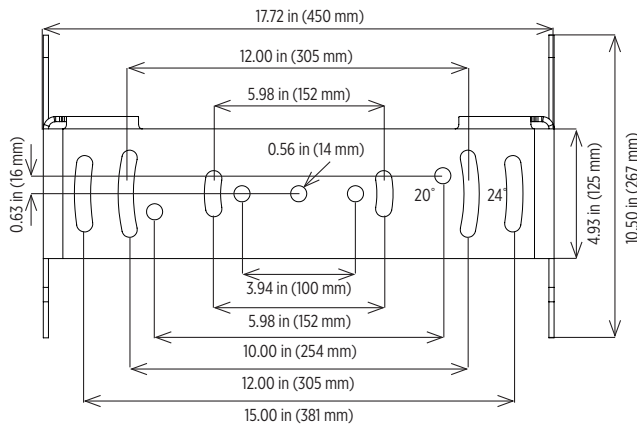
Fasten fixture with 3 x ½ inch (M12) bolts (not provided) through center hole and slots in harp assembly to a recommended torque of 45 foot-pounds. Standard mounting hole dimensions shown in Figure 1. Attach near corner supports and use subbase appropriate for the weight of the fixture.



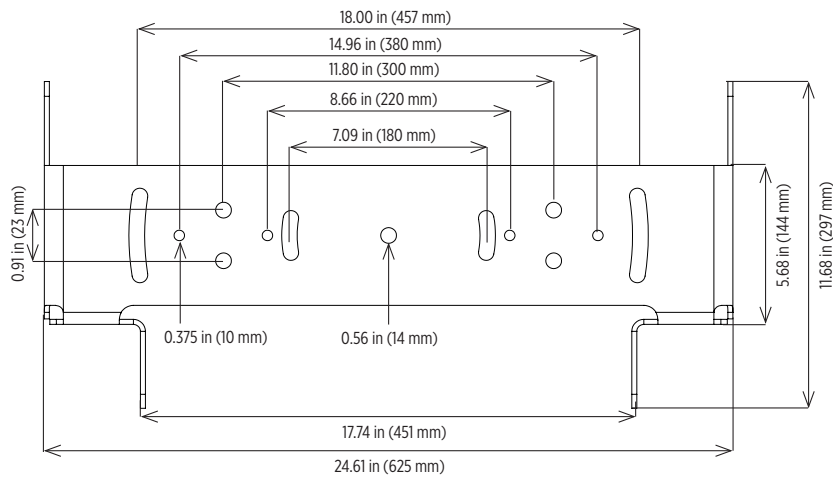
**Figure 1: Dimensions for Standard Mounting Brackets**

Contact factory for dimensions on custom mounting brackets.

### ModCom 3 LO & HI

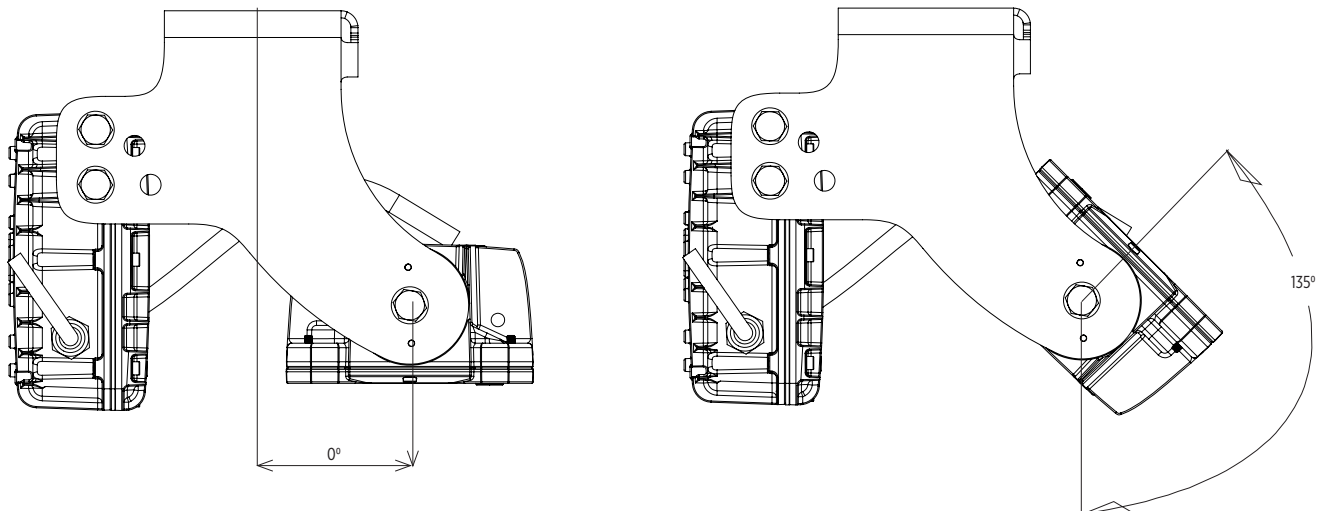


**ModCom 3 MAX**



**Suitable Aiming Positions**

**Note:** Fixture must not be aimed at mounting surface. In addition, “VS” and “NG” models should not be aimed at/exposed to direct sunlight.



## MC3-LO Repair Parts List

| Description                         | Part Number | Quantity per fixture |
|-------------------------------------|-------------|----------------------|
| Cool white (5000K) LED board kit    | 010610.990  | 2                    |
| Neutral white (4000K) LED board kit | 010610.991  | 2                    |
| Warm white (2700K) LED board kit    | 010610.992  | 2                    |
| Amber LED board kit                 | 010610.993  | 2                    |
| MC3-LO lens cover kit               | 010610.999  | 1                    |
| MC3-LO 120-277V driver kit          | 010610.998  | 1                    |
| MC3-LO 277-480V driver kit          | 010613.998  | 1                    |
| VS optic kit                        | 010610.980  | 2                    |
| SP optic kit                        | 010610.982  | 2                    |
| MF optic kit                        | 010610.984  | 2                    |
| WF optic kit                        | 010610.985  | 2                    |
| NG optic kit                        | 010610.986  | 2                    |

## MC3-HI Repair Parts List

| Description                         | Part Number | Quantity per fixture |
|-------------------------------------|-------------|----------------------|
| Cool white (5000K) LED board kit    | 010610.990  | 4                    |
| Neutral white (4000K) LED board kit | 010610.991  | 4                    |
| Warm white (2700K) LED board kit    | 010610.992  | 4                    |
| Amber LED board kit                 | 010610.993  | 4                    |
| MC3-HI lens cover kit               | 010611.999  | 1                    |
| MC3-HI 120-277V driver kit          | 010611.998  | 1                    |
| MC3-HI 277-480V driver kit          | 010614.998  | 1                    |
| VS optic kit                        | 010610.980  | 4                    |
| SP optic kit                        | 010610.982  | 4                    |
| MF optic kit                        | 010610.984  | 4                    |
| WF optic kit                        | 010610.985  | 4                    |
| NG optic kit                        | 010610.986  | 4                    |

## MC3-MAX Repair Parts List

| Description                         | Part Number | Quantity per fixture |
|-------------------------------------|-------------|----------------------|
| Cool white (5000K) LED board kit    | 010610.990  | 6                    |
| Neutral white (4000K) LED board kit | 010610.991  | 6                    |
| Warm white (2700K) LED board kit    | 010610.992  | 6                    |
| Amber LED board kit                 | 010610.993  | 6                    |
| MC3-MAX lens cover kit              | 010612.999  | 1                    |
| MC3-MAX 120-277V driver kit         | 010612.998  | 2                    |
| MC3-MAX 277-480V driver kit         | 010615.998  | 2                    |
| VS optic kit                        | 010610.980  | 6                    |
| SP optic kit                        | 010610.982  | 6                    |
| MF optic kit                        | 010610.984  | 6                    |
| WF optic kit                        | 010610.985  | 6                    |
| NG optic kit                        | 010610.986  | 6                    |

## Maintenance

Periodic maintenance and cleaning is required to keep light fixture in peak operating condition. Buildup of dirt and/or debris will diminish performance, lead to premature failure and void the fixture's warranty.

1. Inspect fixture monthly or (more frequently if conditions require) for dirt and debris buildup on lenses and between fins of heatsink. Wash down with water as needed.
2. Inspect fasteners and verify cord grips are tight. Retighten as needed.

**Note:** Cord grips should be hand tight plus ¼ turn.

## FCC Notice (Class A)

This device complies with Part 15 of the FCC Rules. Operation is subject to the following two conditions: (1) this device may not cause harmful interference, and (2) this device must accept any interference received, including interference that may cause undesired operation.

Federal Communications Commission Statement

**NOTE:** This equipment has been verified and found to comply with the limits for a Class A digital device, pursuant to Part 15 of the FCC Rules. These limits are designed to provide reasonable protection against harmful interference. This equipment generates uses and can radiate radio frequency energy and, if not installed and used in accordance with the instructions, may cause harmful interference to radio communications. However, there is no guarantee that interference will not occur in a particular installation.

If this equipment does cause harmful interference to radio or television reception, which can be determined by tuning the equipment off and on, the user is encouraged to try to correct the interference by one or more of the following measures:

- Reorient or relocate the equipment.
- Increase the separation between the equipment and receiver.
- Connect the equipment into an outlet on a circuit different from that to which the receiver is connected. Consult the factory, factory representative, or an experienced technician for help.

Any changes or modifications not expressly approved by the party responsible for compliance could void the user's authority to operate the equipment."

