

## **! CAUTION**

- All wiring should be done by a licensed electrician in accordance with state codes, local codes, National Electric Code (NEC) standards and International Electrotechnical Commission (IEC) standards.
- Improper installation may result in serious injury and void warranty.
- Contains parts and assemblies susceptible to damage by electrostatic discharge (ESD).
- Surge protective devices should be utilized for fixtures installed in environments subject to power surges outside the specified operating parameters.
- The Danger Light is designed and intended to provide visual indication of potentially unsafe locations for equipment, personnel or assets near or around earth moving equipment. By itself, the Danger Light does not provide any physical or locational collision avoidance. Proper installation, aiming and maintenance of the Danger Light is critical to its effectiveness as an indicator of potentially unsafe areas. Phoenix and its distributors are not liable for collisions caused by improper installation.

## **Wiring**

The standard fixture is supplied with wire leads and connectors. Connectors accept up to 12 AWG wire.

UNIV (120-277V) - Green is ground (PE), black is line and white is neutral.

DC (12-24V) - Black is negative (-) and white is positive (+).

1. Disconnect power to Danger Light.
2. To access wiring compartment, open the Danger Light by removing four (4) x M4 screws on the fixture.
3. The standard fixture is supplied with wire leads and connectors. Connectors accept up to 12 AWG wire. UNIV (120-277V) - Green is ground (PE), black is line and white is neutral. DC (12-24V) - Black is negative (-) and white is positive (+).
4. The incoming power cable diameter should be 0.25 to 0.375 inches for use with supplied cord grips. Ensure cord grip and/or plug is installed past the inner surface of the housing cover. Note: thread sealing tape or paste is required.
5. Reinstall the four (4) M4 screws on the fixture end cap. Torque screws to 10 in-lbs.
6. Reconnect power to fixture.

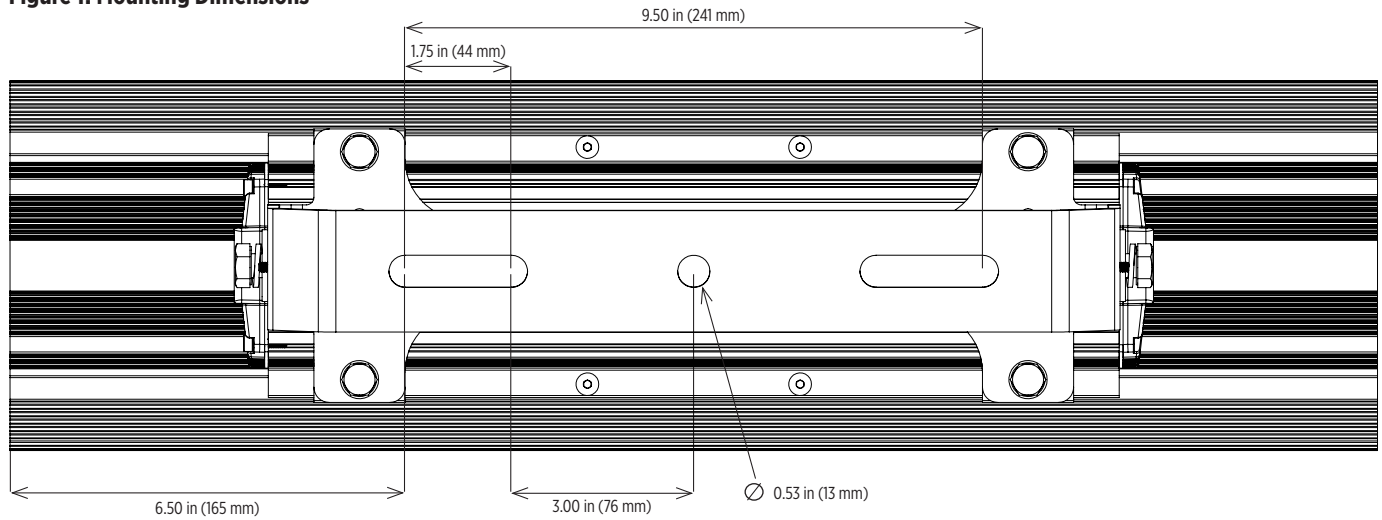
Cord Grip/Plug: Incoming power cable diameter should be 0.25 to 0.375 inches for use with supplied cord grips. Ensure cord grip and/or plug is installed past the inner surface of the housing cover. Thread sealing tape or paste is required.

## **Harp Mount**

1. Attach harp to fixture using four (4) 5/16 inch or M8 bolts (provided).
2. Attach fixture with harp to structure using a minimum of two (2) M12 bolts (not provided).



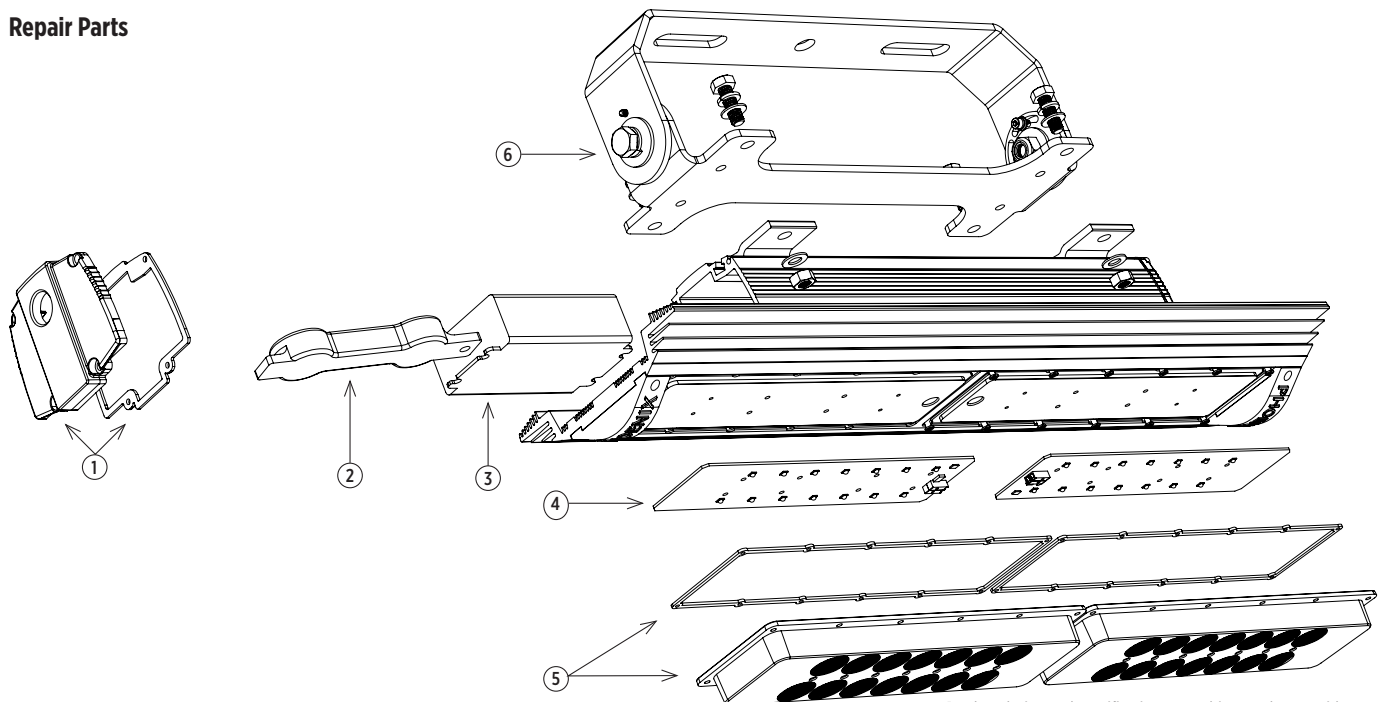
**Figure 1: Mounting Dimensions**



### Repair Parts List - UNIV (120-277V)

Item No.	Description	Quantity	Part No.
1	end cap kit	2	1091638
2	surge protector	1	4380202
3	120-277V driver (DNG-2, V2)	1	4380082
	120-277V driver (DNG-1)	1	4380046
4	red LED circuit board	1 or 2	4390023
	green LED circuit board		4390028
5	lens kit	1 or 2	1091633
6	harp kit	1	1099510

### Repair Parts



Product design and specifications are subject to change without notice.

**Repair Parts List - DC (12-24V)**

Item No.	Description	Quantity	Part No.
1	end cap kit	2	1091638
2	12-24V DC driver	1 or 2	4380094
3	red LED circuit board green LED circuit board	1 or 2	4390023 4390028
4	lens kit	1 or 2	1091633
5	harp kit	1	1099510

**Repair Parts**

