

! CAUTION

- All wiring should be done by a licensed electrician in accordance with state codes, local codes, National Electric Code (NEC) standards and International Electrotechnical Commission (IEC) standards.
- Improper installation may result in serious injury and void warranty.
- Contains parts and assemblies susceptible to damage by electrostatic discharge (ESD).
- Surge protective devices should be utilized for fixtures installed in environments subject to power surges outside the specified operating parameters.
- The Danger Light is designed and intended to provide visual indication of potentially unsafe locations for equipment, personnel or assets near or around earth moving equipment. By itself, the Danger Light does not provide any physical or locational collision avoidance. Proper installation, aiming and maintenance of the Danger Light is critical to its effectiveness as an indicator of potentially unsafe areas. Phoenix and its distributors are not liable for collisions caused by improper installation.

Wiring

The standard fixture is supplied with wire leads and connectors. Connectors accept up to 12 AWG wire.

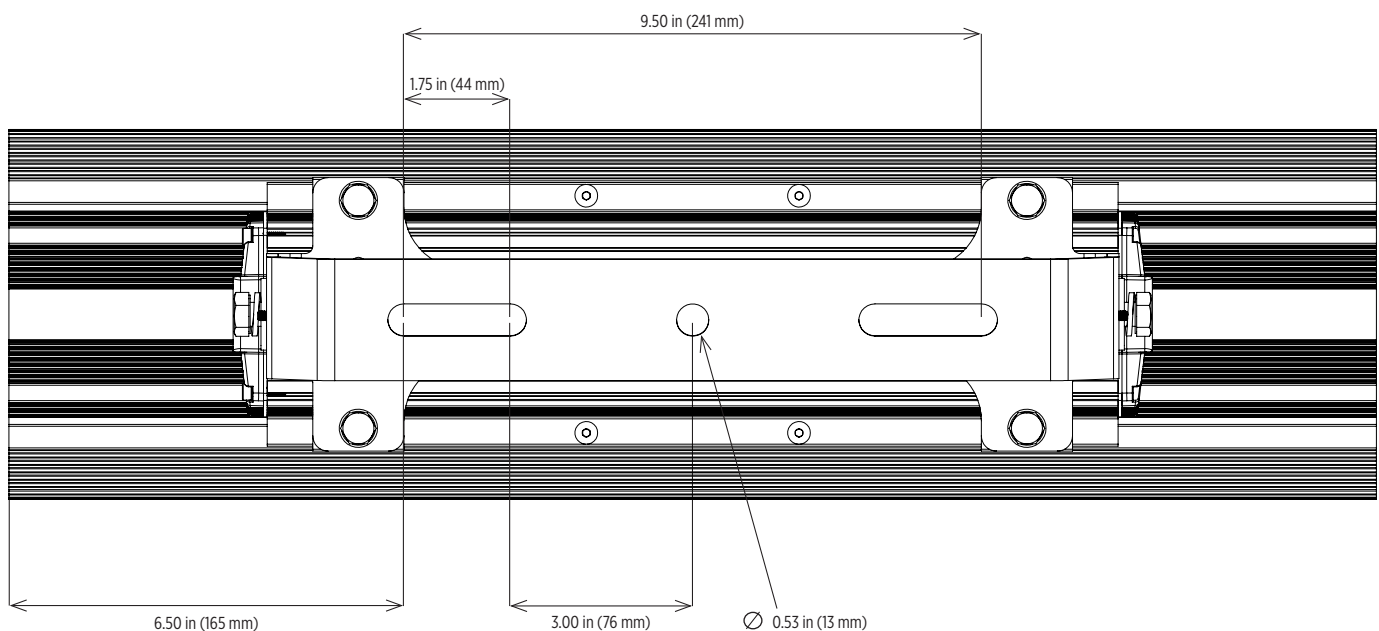
UNIV (120-277V) - Green is ground (PE), black is line and white is neutral.

DC (12-24V) - Black is negative (-) and white is positive (+).

Harp Mount

1. Attach harp to fixture using four (4) 5/16 inch or M8 bolts (provided).
2. Attach fixture with harp to structure using a minimum of two (2) M12 bolts (not provided).

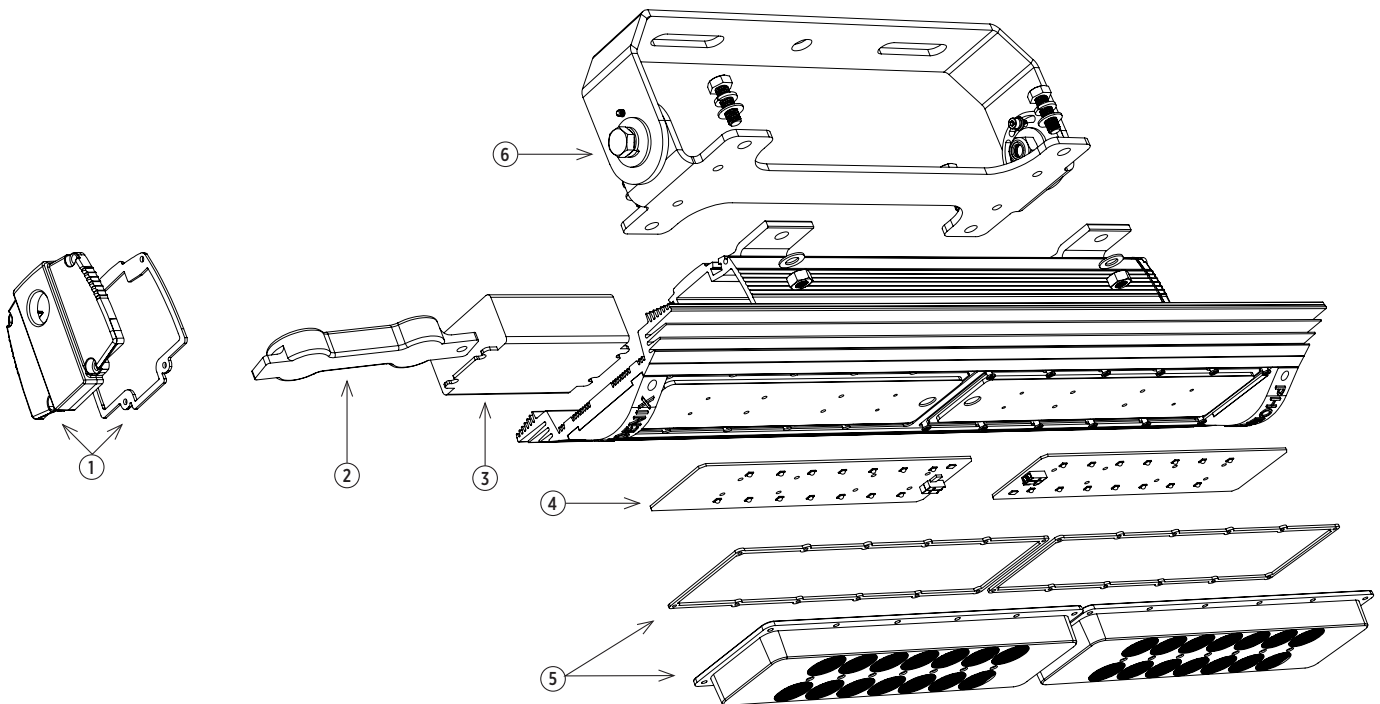
Figure 1: Mounting Dimensions



Repair Parts List - UNIV (120-277V)

Item No.	Description	Quantity	Part No.
1	end cap kit	2	1091638
2	surge protector	1	4380202
3	120-277V driver	1	4380047
4	LED circuit board	2	4390023
5	lens kit	2	1091633
6	harp kit	1	1099510

Repair Parts



Product design and specifications are subject to change without notice.

Repair Parts List - DC (12-24V)

Item No.	Description	Quantity	Part No.
1	end cap kit	2	1091638
2	12-24V DC driver	2	4380094
3	LED circuit board	2	4390023
4	lens kit	2	1091633
5	harp kit	1	1099510

Repair Parts

