

## ! CAUTION

- All wiring should be done by a licensed electrician in accordance with state codes, local codes, National Electric Code (NEC) standards and International Electrotechnical Commission (IEC) standards.
- Improper installation may result in serious injury and void warranty.
- Contains parts and assemblies susceptible to damage by electrostatic discharge (ESD).
- Surge protective devices should be utilized for fixtures installed in environments subject to power surges outside the specified operating parameters.

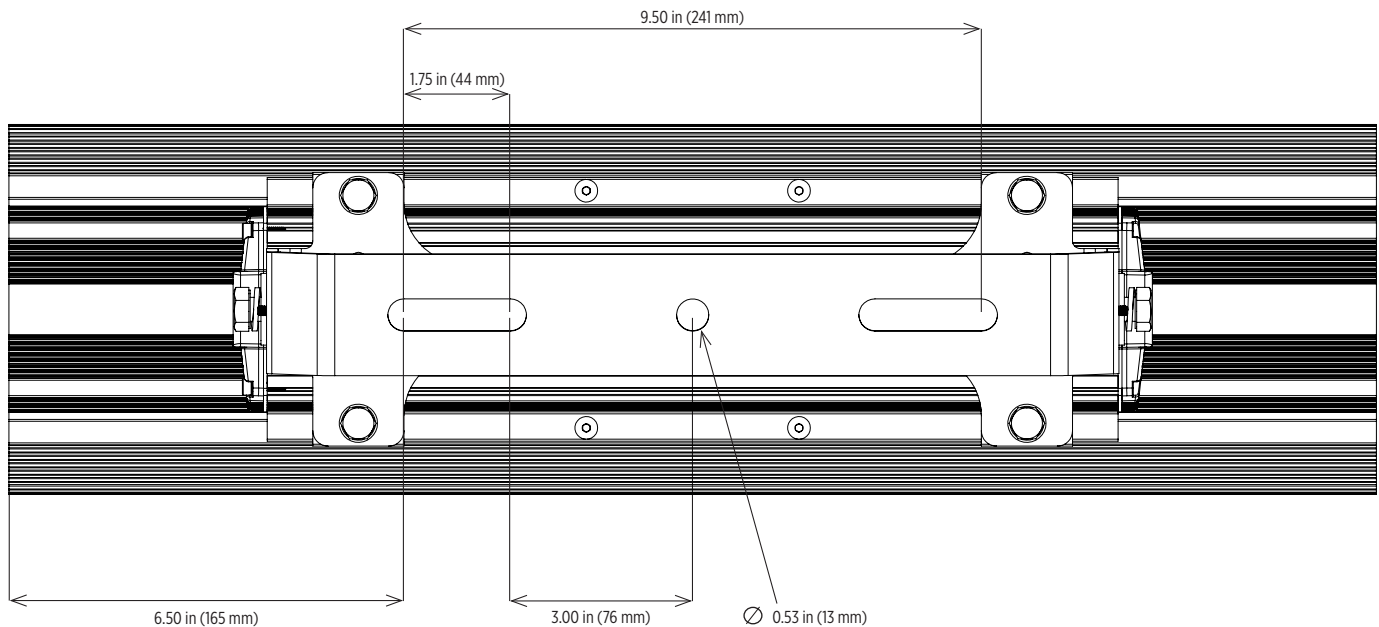
## Wiring

The standard fixture is supplied with wire leads and connectors. Connectors accept up to 12 AWG wire. Green is ground (PE), black is line and white is neutral.

## Harp Mount

1. Attach harp to fixture using four (4) 5/16 inch or M8 bolts (provided).
2. Attach fixture with harp to structure using a minimum of two (2) M12 bolts (not provided).

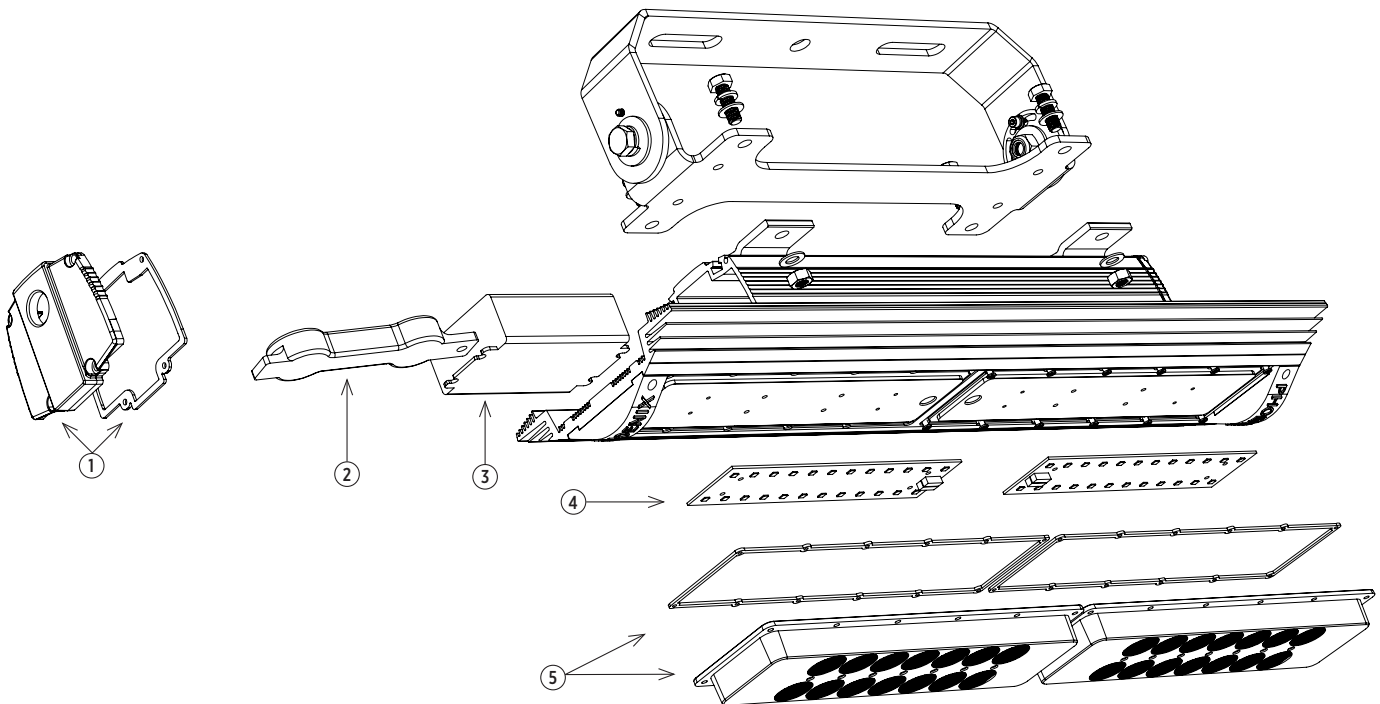
**Figure 1: Mounting Dimensions**



### Repair Parts List

Item No.	Description	Quantity	Part No.
1	end cap kit	2	1091638
2	surge protector	1	4380202
3	driver	1	4380047
4	LED circuit board	2	4390021
5	lens kit	2	1091633
6	harp kit	1	1099510

### Repair Parts



Product design and specifications are subject to change without notice.