

### ! CAUTION

- All wiring should be done by a licensed electrician in accordance with state codes, local codes and National Electric Code (NEC) standards.
- Improper installation may result in serious injury and void warranty.
- May contain parts and assemblies susceptible to damage by electrostatic discharge (ESD).

### Installation

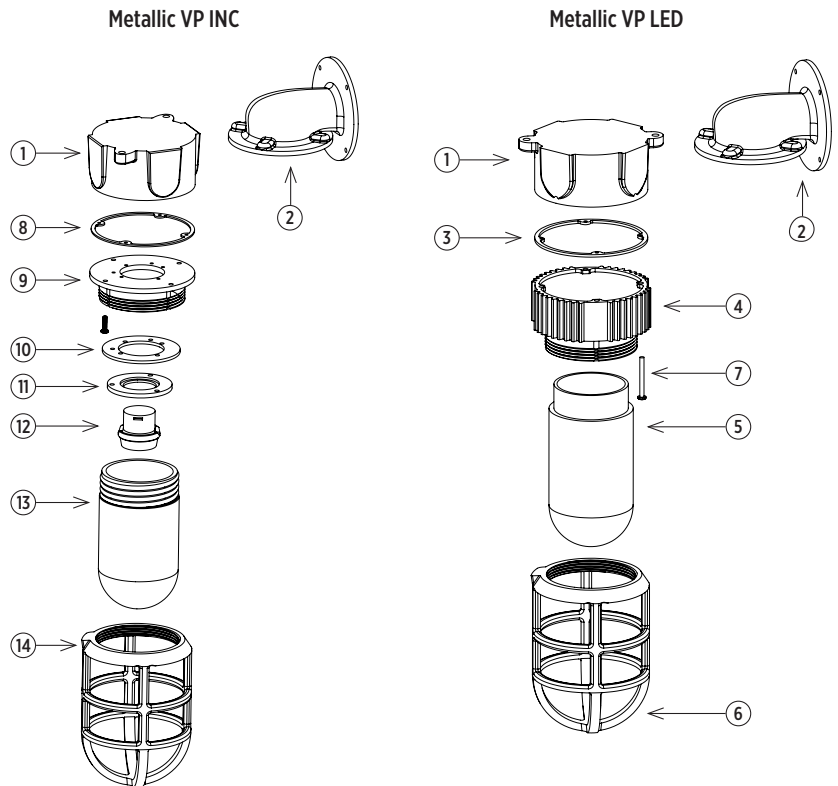
1. Disconnect fixture from power.
2. See diagram below. Remove and discard items 8-14 of existing Metallic VP INC. (Items 9-12 are a sub-assembly and may be removed in one piece.) Replace with new LED module (Item 4) using provided gasket (Item 3) and screws (Item 7).
3. Attach new LED module to existing junction box (Item 1 or 2) with included screws while ensuring gasket is in place between Items 1 and 4.
4. Connect wires using electrical connects per diagram on page 2.

### Labeling

1. Replace existing UL fixture label with enclosed replacement label (7452153).
2. Place enclosed wiring label (7450835) on the inside of the existing junction box.
3. Place enclosed luminaire retrofit label (7452161) on an outside surface of the existing junction box.

### Repair Parts List

Item	Description
1	existing wall junction box
2	existing ceiling junction box/neck
3	new gasket
4	LED module for ceiling and wall
5	6 inch frosted glass globe for ceiling and wall
6	guard for ceiling and wall
7	screws
8	existing junction box gasket
9	globe casting
10	globe gasket
11	socket plate
12	socket
13	clear glass globe
14	guard



# Metallic LED VP Series Retrofit

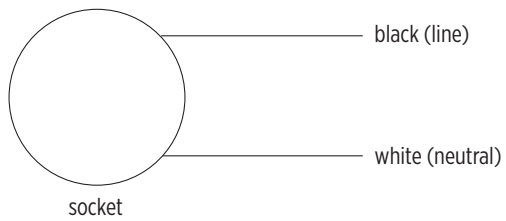
## Installation Instructions

### Wiring

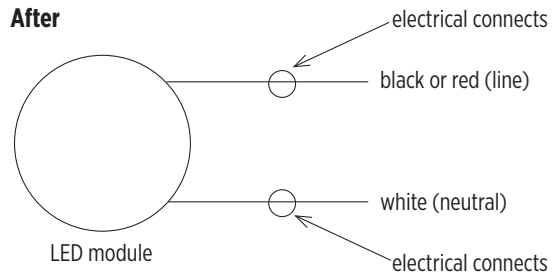
Grounding wire required.

100-277 VAC, 47-63Hz on standard units

#### Before



#### After



Product design and specifications are subject to change without notice.

