



Durable, economic line of DC-voltage LED work lights
 Lightweight, compact design ideal for use on mobile equipment
 Spot and flood optics minimize glare and provide precise optical control
 LED technology increases efficiency, eliminates maintenance and supports green initiatives

Key Applications

- Surface mining equipment
 - haul trucks • front loaders • blasthole drills • dozers • hydraulic excavator shovels
- Underground mining equipment
 - jumbos • scoopers • dumpers
- Construction equipment
 - mobile cranes • excavators • rollers
- Port equipment
 - material handling • reach stackers
- Marine vessels
 - patrol boats • fishing boats
- Agricultural equipment
 - combine harvester • tractors • ATVs
- Forestry equipment
 - harvesters • forwarders • loaders
- Other applications
 - utility vehicles • pick-up trucks • off-road equipment • forklift trucks • maintenance of Way (MOW) railroad maintenance equipment • solar and generator powered lighting

Compliances

- CE
- IP69K
- CISPR 25 - Class 4

Specifications

Construction	Die cast aluminum housing
Finish	Black powder coat
Hardware	Stainless steel
Lens	Impact-resistant polymer - standard Spot (SP) and flood (FL) optics Precise optical control minimizes glare
Light source	64W, up to 7000 lumens Cool white (6000K) LEDs 50,000 hour rated life
Power source	Nominal voltage range: 12-24V DC Input voltage range: 9-32V DC 17.00 inch (432 mm) cord with Deutsch connector
Wiring	Stranded wires
Ambient operating temperature	-40°C to +85°C
Shock	ISO 16750-3: 2012, 50G
Vibration	up to 30G
Salt spray	IEC 60068-2-11
Mounting	Stainless steel harp
Warranty	1 year

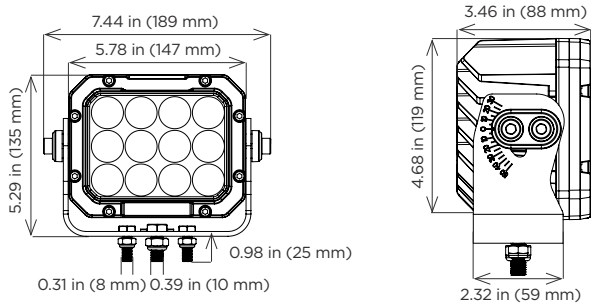
For IES files, see website or contact factory

Sturdilite® Move Series HI

Low-voltage LED Floodlight

PHOENIX[®]
DURABILITY X DESIGN™

Dimensions



Ordering Information

Example: MV-HI-SP

Fixture	Model	Optic
MV	HI	SP
		FL

Model	Optic
HI 64W, up to 7000 lumens	SP Spot Optic
	FL Flood Optic

Special Projects: We may be able to accommodate your special projects, so please don't hesitate to ask about additional options. Minimum order quantities and/or extended lead times will apply. Contact your Phoenix representative with specific inquiries.

Product design and specifications are subject to change without notice. The most current version of this specification sheet can be found at www.phoenixlighting.com.