

! CAUTION

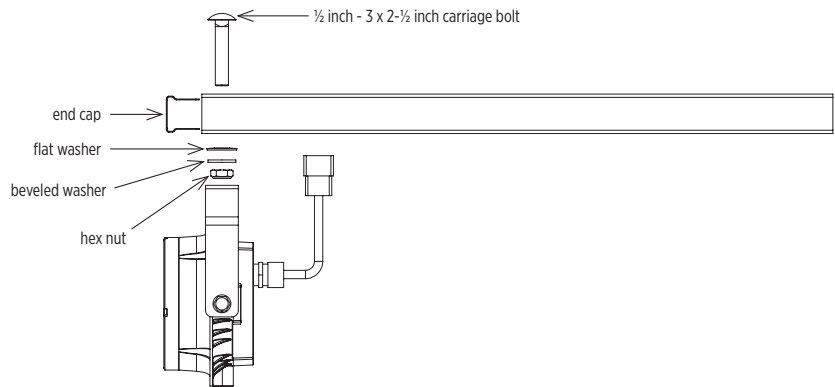
- All wiring should be done by a licensed electrician in accordance with state codes, local codes, and National Electric Code (NEC) standards.
- Improper installation may result in serious injury and void warranty.
- Contains parts and assemblies susceptible to damage by electrostatic discharge (ESD).
- Risk of electric shock. Do not use with extension cord.
- Keep plugs and receptacles dry. For use only on GFCI protected circuits.

Installation

1. Disconnect all power to existing dock light.
2. Remove existing dock light head from dock arm. Save mounting hardware.
3. Attach new DLA docklite[®] head to dock arm, utilizing the ½ inch clearance hole located on the bracket and mounting hardware saved from step 2. (See illustration below.)
4. Install the male plug from the light head into the female receptacle in the arm assembly.
5. Restore power and position light in desired location.



Installation on a standard dock light arm



Product design and specifications are subject to change without notice.

