



PHOENIX[®]
DURABILITY X DESIGN™

Sturdilite[®] E-DC Series

Low-voltage LED Floodlight

Durable, economic line of LED fixtures

Lightweight, compact design ideal for use on mobile equipment

Spot and flood optics minimize glare and provide precise optical control

LED technology increases efficiency, eliminates maintenance and supports green initiatives



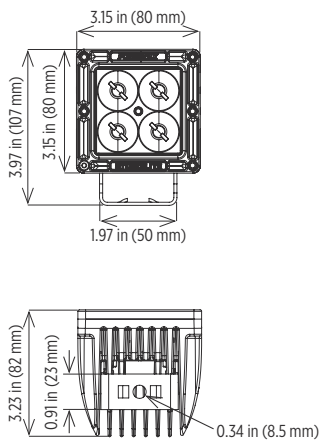
E15 & E36

E56

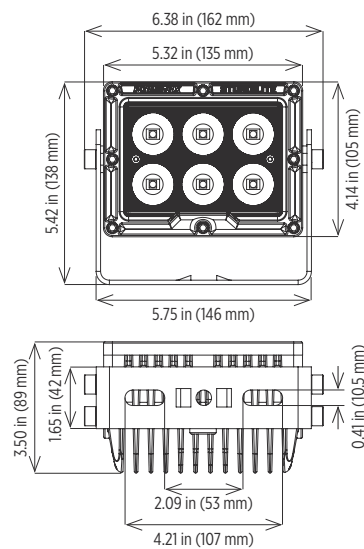
E90

Dimensions

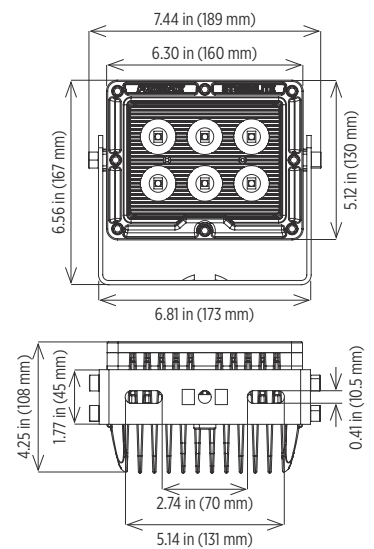
E15 & E36



E56



E90



Sturdilite® E-DC Series

Low-voltage LED Floodlight

PHOENIX®
DURABILITY X DESIGN™

Specifications

Construction	Die cast aluminum housing
Finish	Black powder coat
Hardware	Stainless steel
Lens	Impact-resistant polymer Spot (SP) and flood (FL) optics Precise optical control minimizes glare
Light source	Cree light emitting diodes (LED) 15W (E15), 24W (E36), 56W (E56) or 90W (E90) Effective lumens: up to 880 lumens (15W), up to 1800 lumens (24W), up to 4500 lumens (56W) and up to 7100 lumens (90W) CCT 6000K 50,000 hour rated life
Power source	12-48V DC 10.00 inch cord with Deutsch connector Over-voltage , over-temperature and reverse polarity protection
Wiring	Stranded wires
Ambient operating temperature	-40°C to +65°C Light output regulation in high ambient temperature environments protects the life of the LEDs
Shock	65G along 3 axes
Vibration	5 Grms, 100-2200Hz along 3 axes
Salt spray	Tested to ASTM B117 for 1000 hours
Aiming	90° aiming capability
Mounting	Stainless steel harp
Weight	E15 fixture: 1.3 lb (0.6 kg) case (12 fixtures): 20.9 lb (9.5 kg) E36 fixture: 1.3 lb (0.6 kg) case (12 fixtures): 20.9 lb (9.5 kg) E56 fixture: 4.2 lb (1.9 kg) case (6 fixtures): 22.0 lb (10.0 kg) E90 fixture: 7.1 lb (3.2 kg) case (6 fixtures): 39.7 lb (18.0 kg)
Case size	E15: 17.32 in x 10.04 in x 10.04 in (440 mm x 255 mm x 255 mm) E36: 17.32 in x 10.04 in x 10.04 in (440 mm x 255 mm x 255 mm) E56: 20.47 in x 7.87 in x 9.84 in (520 mm x 200 mm x 250 mm) E90: 27.95 in x 17.32 in x 6.69 in (710 mm x 440 mm x 170 mm)
Warranty	1 year

Certifications

CE
IP69K

For IES files, see website or contact factory



Ordering Information

Example: E-36-SP

Fixture	Wattage	Optic
E	15	SP ¹
	36	FL
	56	
	90	

Wattage

15	15W, up to 880 effective lumens
36	24W, up to 1800 effective lumens
56	56W, up to 4500 effective lumens
90	90W, up to 7100 effective lumens

Optic

SP ¹	Spot (SP)
FL	Flood (FL)

Notes

- 1 Not available on E15 fixture

Special Projects: We may be able to accommodate your special projects, so please don't hesitate to ask about additional options. Minimum order quantities and/or extended lead times will apply. Contact your Phoenix representative with specific inquiries.

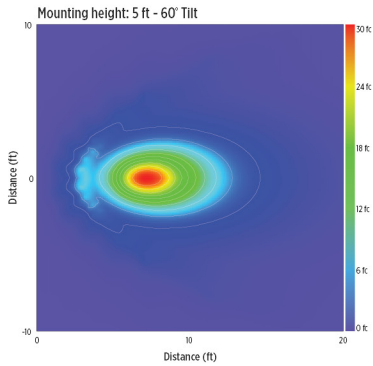


Sturdilite[®] E90 on a haul truck

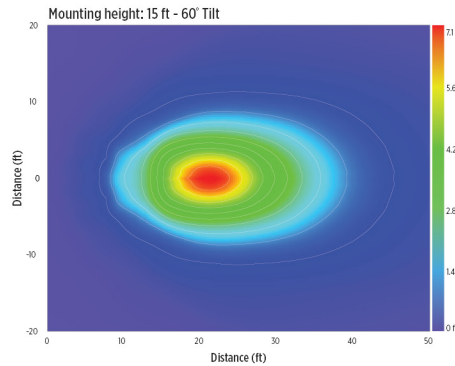


Isolux Charts

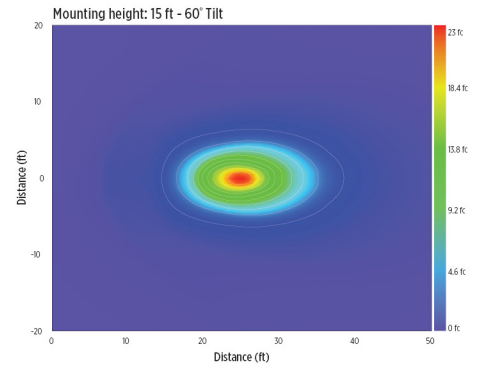
E15 - Flood



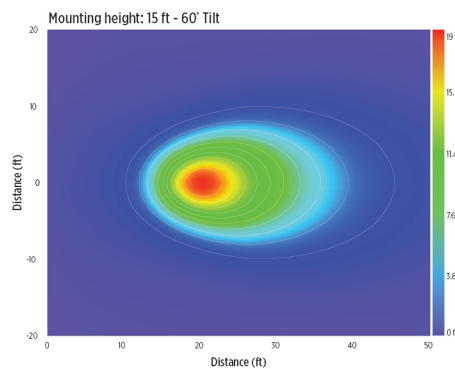
E36 - Flood



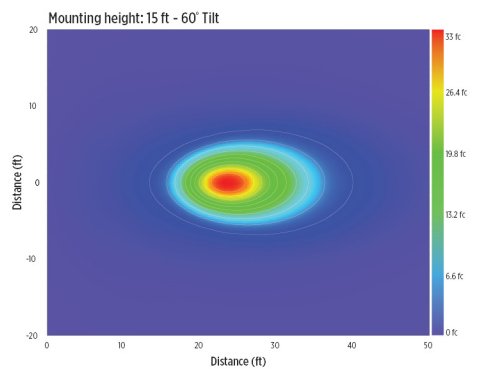
E36 - Spot



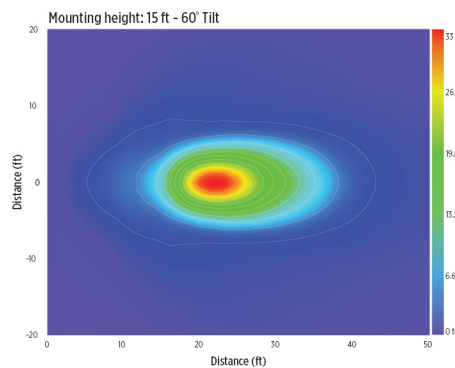
E56 - Flood



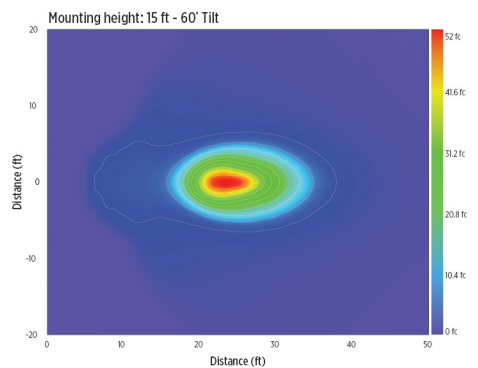
E56 - Spot



E90 - Flood



E90 - Spot



Cover photo: Sturdilite® E56 fixtures installed on a dozer

Product design and specifications are subject to change without notice. The most current version of this specification sheet can be found on our website: www.phoenixlighting.com.