

**! CAUTION**

- All wiring should be done by a licensed electrician in accordance with state codes, local codes, and National Electric Code (NEC) standards or International Electric Commission (IEC) standards.
- Improper installation may result in serious injury and void warranty.
- Contains parts and assemblies susceptible to damage by electrostatic discharge (ESD).
- When using luminaires, basic safety precautions should always be followed to reduce the risk of fire, electric shock and personal injury.

**Wiring**

The standard fixture is supplied with wire leads.

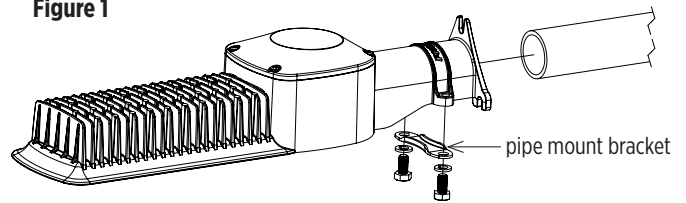
Green/yellow is ground (PE), brown is line and blue is neutral.

**Pole Mount Installation**

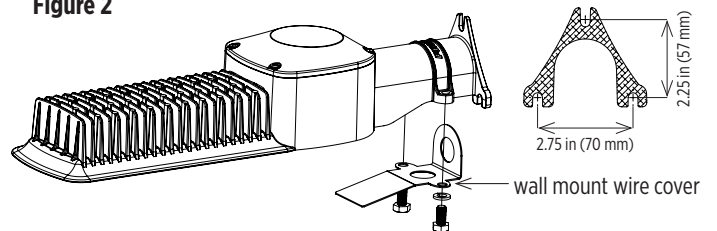
The Conveyo™ fixture fits on a 1.25 inch (32 mm) trade size pipe.

1. Identify the desired mounting location for the fixture. To prevent water intrusion, the Conveyo must be mounted in a horizontal, downward-facing position (maximum of 25° from horizontal). If Dark Sky approval is required, fixture must be horizontal.
2. Make wire connections (refer to 'Wiring' section above).
3. Insert wire connections into pipe.
4. Secure fixture to pipe using pipe mount bracket and two (2) M8 bolts (supplied). Refer to Figure 1.

**Figure 1**



**Figure 2**

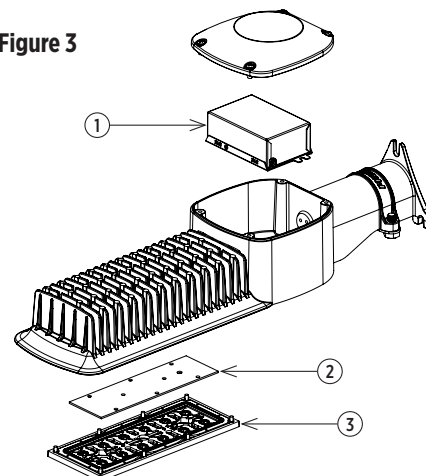


**Wall Mount Installation**

For stationary applications only. For high vibration applications, use Pole Mount installation.

1. Identify the desired mounting location for the fixture. To prevent water intrusion, the Conveyo must be mounted in a horizontal, downward-facing position (maximum of 25° from horizontal). If Dark Sky approval is required, fixture must be horizontal.
2. Mount fixture to desired surface using three (3) ¼-20 or M6 hardware (not supplied).
3. Using wall mount wire cover (shown in Figure 2), select which entry point (side or bottom) is appropriate for your application. Either conduit or flexible cable can be used for power supply.
4. Make wire connections (refer to 'Wiring' section above).
5. Using two (2) M8 bolts (supplied), secure wall mount wire cover to fixture.

**Figure 3**



**Repair Parts List**

Item	Part Number	Description
1	4380054	120-277V driver
2	4390010	circuit board
3	1090760	lens kit

Product design and specifications are subject to change without notice.

