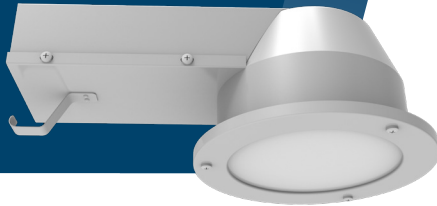


Recessed Downlight LED

Marine indoor recessed LED downlight for shallow ceiling and overhead applications.

Durable, marine grade components offer resistance against corrosion and high vibration.



Key Applications

Marine Interior
Commercial Fishing Vessels
Tug, Tow and Push Boats
Dredges and Work Barges
Military Service Vessels
Offshore Supply Vessels
Ferries, Passenger and Research Vessels
Super Yachts

Compliances

ETL/cETL Certified to:

- UL 1598A
- FCC Part 15 Class A
- ABS

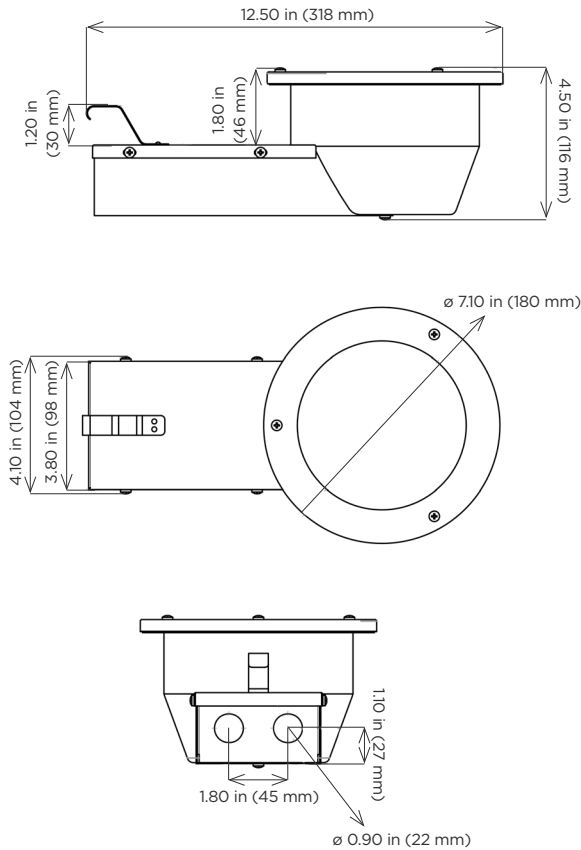
Specifications

Construction	Corrosion-resistant steel enclosure
Finish	White polyester powder coat
Hardware	Marine grade (316) stainless steel
Lens	Clear - up to 1350 lumens Diffuse - up to 1150 lumens Red polycarbonate - up to 150 lumens
Light source	High-Brightness LED, >85 CRI CCT: Neutral white (4000K)
Driver	AC 120-277V 50/60Hz
Power	12.5W
Power factor	> 0.9
THD	< 15%
Ceiling Hole Size	146mm
Ambient operating temperature	-20°C to +45°C
Operating lifetime	50,000 hours
IP Rating	20
Dimensions	12.50 in (318 mm) x 4.10 in (104 mm) x 4.50 in (116 mm) 17.30 in (452 mm) x 4.10 in (104 mm) x 4.50 in (116 mm) (EMB)
Weight	2.9 lb (1.3 kg)
Warranty	5 years

For IES files, see website or contact factory

Dimensions

RDL



Ordering Information

Example: RDL-DF-AC-40K

Fixture	Lens	Voltage	Options
RDL	DF	AC	40K

Lens

DF Diffuse lens

Voltage

AC 120-277VAC

Options

40K 4000K, neutral white

Accessories (order separately)

Lenses

KIT, RDL-LNS-CL (clear)

KIT, RDL-LNS-RD (red)

Emergency Battery Backup

KIT, RDL-EMB-2HR (120 minute minimum run time)

Special Projects: We may be able to accommodate your special projects, so please don't hesitate to ask about additional options. Minimum order quantities and/or extended lead times will apply. Contact your Phoenix representative with specific inquiries.

Product design and specifications are subject to change without notice. The most current version of this specification sheet can be found at www.phoenixlighting.com.