

! CAUTION

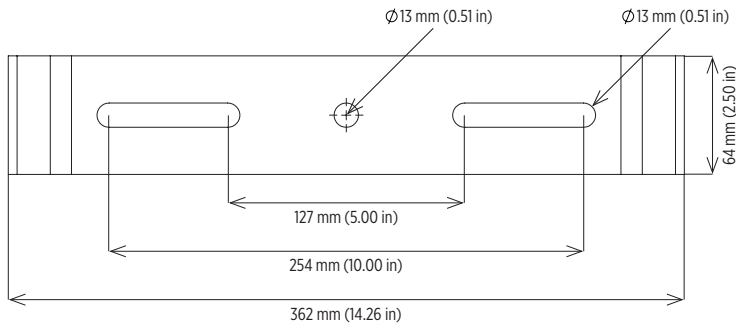
- All wiring should be done by a licensed electrician in accordance with state codes, local codes, and National Electrical Code (NEC) or International Electric Commission (IEC) standards.
- Improper installation may result in serious injury and void warranty.
- Contains parts and assemblies susceptible to damage by electrostatic discharge (ESD).
- Surge protective devices should be utilized for fixtures installed in environments subject to power surges outside the specified operating parameters.

Mounting

1. Identify the desired mounting location for fixture. Attach near corner supports or use adequate subbase for the weight of the fixture.
2. Fasten fixture with 3 x 12 mm stainless steel bolts through center hole and slots in harp assembly to recommended torque of 73 N-m. Use mounting dimensions shown in Figure 1.

Note: If aiming fixture other than straight down (see Figure 3), reposition locking bolt as needed.

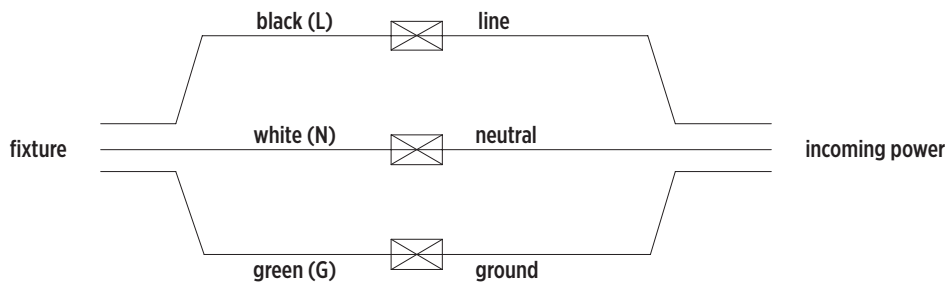
Figure 1



Wiring

The standard fixture is supplied with a 500 mm cord. Install fixture to incoming power supply (see Figure 2) using a suitable, water tight connector (not provided).

Figure 2

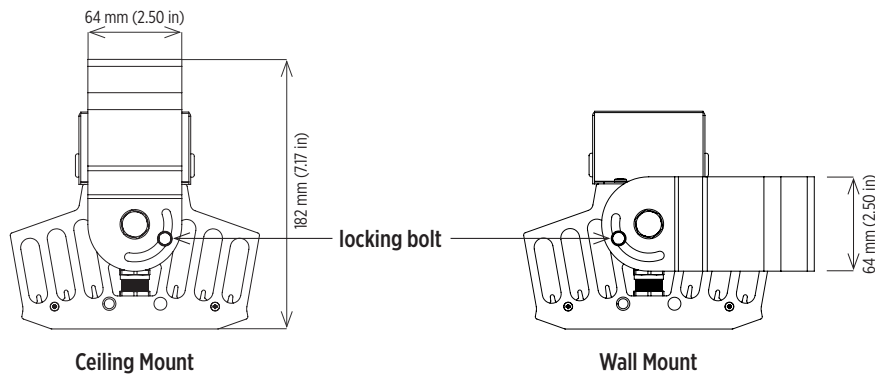


Aiming

RTG Command Floodlights™ can be aimed up to 110 degrees from horizontal in one direction (Figure 3).

1. Loosen 2 screws on each end of fixture.
2. Rotate fixture to desired angle.
Note: If mounting to a wall, reposition locking bolt and install per the Wall Mount drawing (Figure 3).
3. Tighten screws to recommended torques of 42 N-m (10 mm screw) and 5 N-m (5 mm screw).

Figure 3



Maintenance

Periodic maintenance and cleaning are required to keep light fixture in peak operating condition. Buildup of dirt and/or debris on fixture will diminish performance, lead to premature failure and void warranty.

1. Inspect fixture monthly for build up of dirt and debris on lens and housing. Wash fixture with clean water and a soft towel. Do not use an abrasive cleaner or chemicals as this could cause scratches or other damage to the lens.
2. Inspect fasteners and retighten as needed.

Installation Specifications

RTG Command Flood™	
power draw	117W
current at 277V	0.43A
current at 120V	1.0A
inrush current	54A 0.87ms
weight	5.9 kg (13 lbs)

Product design and specifications are subject to change without notice.