

UL 844 hazardous rated round floodlight designed for various Class 1, Division 2 environments

Wattage selectable, high-performance LED floodlight

Mounting options allow easy retrofitting and flexibility for new installations

Range of Correlated Color Temperature (CCT) and optic options

Key Applications

Heavy industrials storage facility
Paper mills
Wastewater treatment plants
Loading dock platforms
Offshore environments
Chemical processing facilities
Power plants
Petrochemical processing facilities
Coal mine

Compliances

UL/cUL Listed to:

- UL 1598 Suitable for Wet Locations
- UL 1598A Marine Outside Type (Saltwater)
- UL 844 Hazardous Locations
 - Class 1, Division 2 Groups A, B, C, D
 - Class II, Division 1 Groups E, F, G
 - Class II, Division 2 Groups F, G
 - Class III

IP66
ABS

Specifications

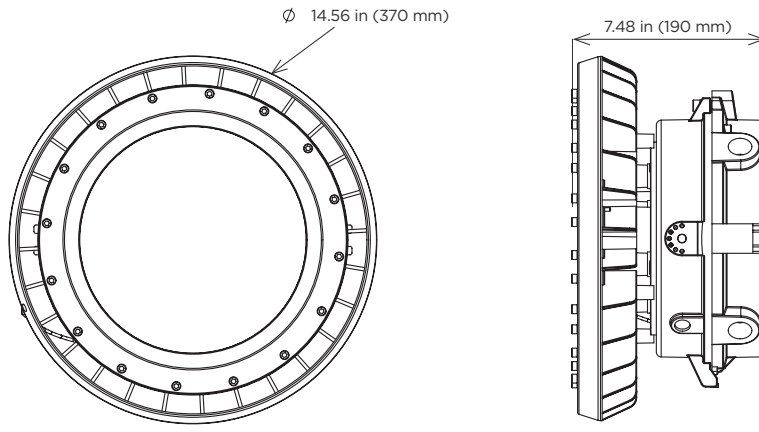
Construction	Die cast aluminum
Finish	Powder coat, matte finish
Hardware	Marine grade (316) stainless steel external hardware
Light source	13,000 lumens - 100W 19,500 lumens - 150W 26,000 lumens - 200W CRI > 70 CCT 3000K, 4000K, 5000K 50,000 hour rated life
Lens	Flat glass - clear or diffuse Convex glass - clear or diffuse
Wiring	3/4 NPT
Power source	100-277V, 50-60Hz; 277-480V, 50-60Hz 0-10V dimming capability
Surge protection	Driver- 6KV 6kV surge protection (driver)
Ambient operating temperature	GPH-100: -40°C to + 55°C (T5) GPH-150: -40°C to + 40°C (T4A) GPH-200: -40°C to + 40°C (T4)
Mounting	Surface mount (standard) Optional harp mount, stanchion mount, and wall mount capability Compatible with Crouse-Hinds™ series HID mounting base
Estimated weights	19.40 lb (8.80 kg)
Warranty	5 years

For IES files, see website or contact factory

Guard Pro™ HI Series

Hazardous Rated LED Floodlight

Dimensions



Ordering Information

Example: GPH-100-FGC-60-120-277-30K

Fixture	Wattage	Lens	Optics	Voltage	CCT	Mounting ²
GPH	100	FGC	60 ¹	120-277	30K	B
	150	FGD	120	277-480	40K	C
	200	CGC			50K	D
		CGD				

Wattage	Lens	Optics	Voltage	CCT	Mounting ²
100 Up to 13,000 lumens, 100W	FGC Flat glass, clear lens	60 ¹ 60° optic 120 120° optic	120-277 120-277V, 50-60Hz	30K 3000K 40K 4000K	B Mounting harp
150 Up to 19,500 lumens, 150W	FGD Flat glass, diffuse lens		277-480 277-480V, 50-60Hz	50K 5000K	C Wall mount
200 Up to 26,000 lumens, 200W	CGC Convex glass, clear lens CGD Convex glass, diffuse lens				D Stanchion mount

Notes

- 1 Only available with clear lens options.
- 2 Comes standard with surface mount (leave blank).

Special Projects: We may be able to accommodate your special projects, so please don't hesitate to ask about additional options. Minimum order quantities and/or extended lead times will apply. Contact your Phoenix representative with specific inquiries.

Mounting Accessories¹

Wire Guard (WG-GPL)

Retrofit Adapter - Appleton Mermaster III (RFA-GPH-A)

Product design and specifications are subject to change without notice. The most current version of this specification sheet can be found at www.phoenixlighting.com.