

### ! CAUTION

- All wiring should be done by a licensed electrician in accordance with state codes, local codes, and National Electrical Code (NEC) or International Electric Commission (IEC) standards.
- Improper installation may result in serious injury and void warranty.
- Contains parts and assemblies susceptible to damage by electrostatic discharge (ESD).
- Surge protective devices should be utilized for fixtures installed in environments subject to power surges outside the specified operating parameters.

Included in Command Flood Driver Kit: driver enclosure assembly, six (6) Phillips screws, six (6) lock washers, and junction box gasket.

Tools Needed: Wire cutter/ stripper, 3mm Allen key, adjustable wrench, small flathead screwdriver and Phillips head screwdriver (or optional power drill).

Please read all instructions carefully before beginning.

### Installation

1. Disconnect power.
2. Open junction box to disconnect incoming connections, loosen cord grips and remove incoming power/dimming cables.
3. Remove original nameplate label from junction box lid and retain for warranty purposes. It may be placed on the underside of the lid inside the new junction box.
4. Loosen and remove six (6) Phillips screws to detach driver enclosure from fixture housing (Figure 1 and 2).
5. Cut existing driver output cables near the driver case (Figure 3) to leave as much length of cable as possible for future wiring.

**Note:** The CF375 contains two (2) drivers that have different power ratings, so it is important to note which cable is for each driver.

Figure 1

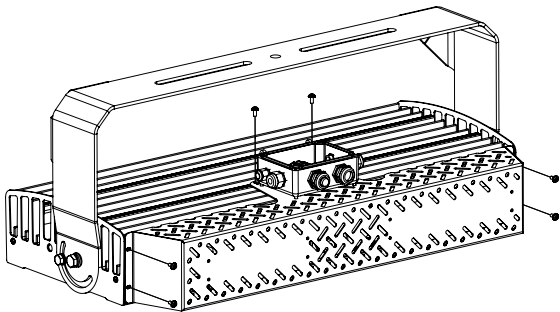


Figure 2

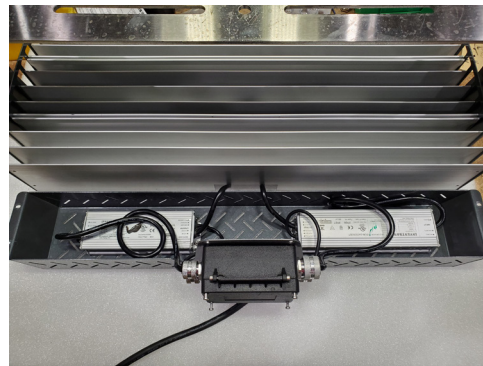
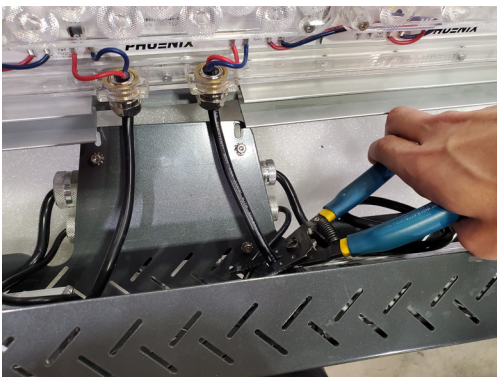


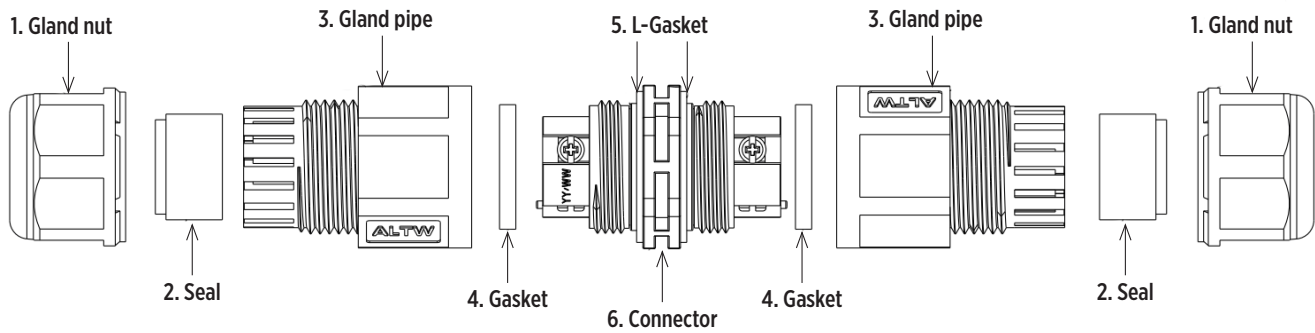
Figure 3



## Installation Instructions

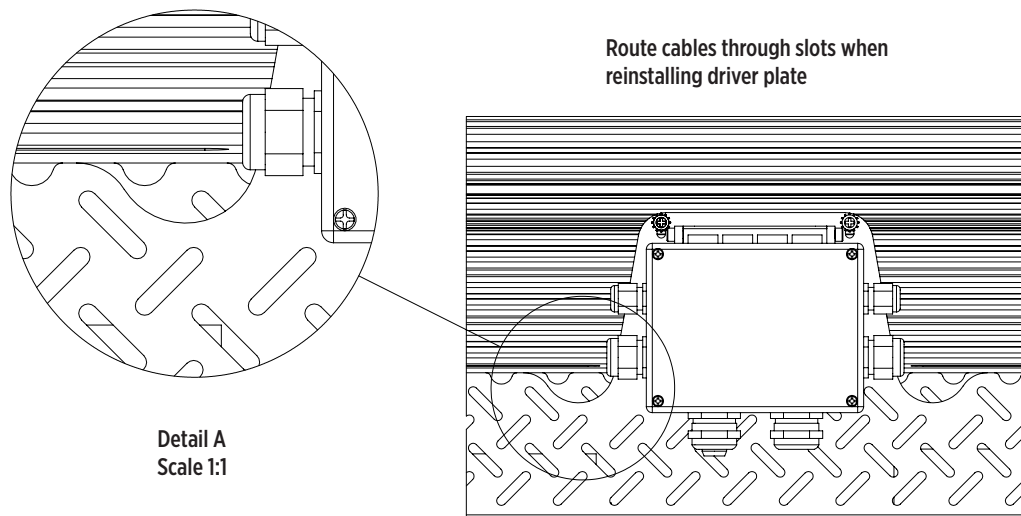
6. With the remaining cable(s), strip the cable jacket back approximately 1 inch and strip wires back approximately 0.25 inch.
7. Connect new driver plate assembly to fixture by inserting stripped wires into the open ends of the watertight connectors provided.  
**Note:** The blue wire should be installed into “N” slot and the red wire should be installed into “L” slot. For further details, see exploded view of watertight connector below (Figure 4).

**Figure 4**



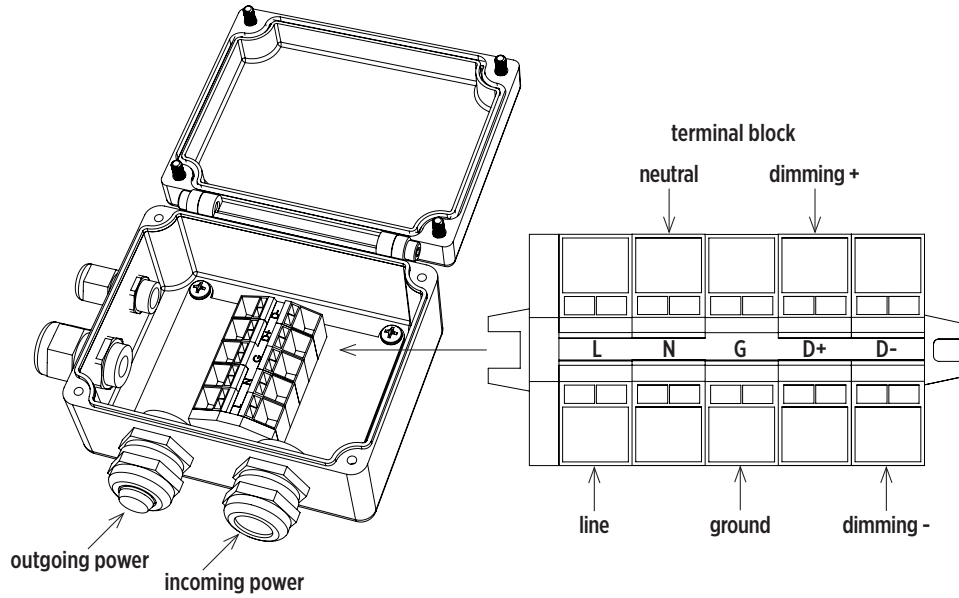
8. Watertight connectors should be positioned within the driver enclosure.
9. Secure driver enclosure to fixture housing using six (6) Phillips screws and six (6) lock washers provided.  
**Note:** To avoid damage, cord(s) should be routed from driver through slots in enclosure (Refer to Figure 1 and 5).

**Figure 5**



10. Make wiring connections within junction box (Figure 6).

Figure 6



11. Close junction box and secure lid using four (4) captive M4 screws. Tighten screws to 15 lb-in.