

Marine Industrial LED Floodlight



Designed to withstand moisture and corrosion found in marine and industrial installations

Rugged yet lightweight design

Customized mounting brackets for quick and easy installation

Stainless steel bracket and hardware for maximum corrosion resistance

Designed and manufactured in the USA

Key Applications

- Outdoor perimeters
- Maritime vessel decks
- Overhead cranes
- Gantry cranes
- General area lighting
- Monument and landscape lighting

Compliances

UL/cUL Certified to:

- UL 1598 Suitable for Wet Locations
- UL 1598A Marine Outside Type (Saltwater)
- UL 844 Hazardous Location (-30°C to +50°C)
 - Class I, Division 2 Groups A, B, C, D
 - Class I, Zone 2, Groups IIC
 - T4, 135°C maximum surface temperature
- CSA C22.2 No. 250.0
- CSA C22.2 No. 137

ABS

IP66

CE

LM79 and LM80 reports available upon request

Buy American Act (BAA)

Build America Buy America Act (BABA)

Specifications

Construction	Marine grade, aluminum housing Adjustable 316 stainless steel mounting harp (SSHRP) Adjustable waterline security bracket (NPL) (CF-150 only)
Finish	Type II anodized finish per MIL-A-8625



This product complies with domestic preference requirements such as BABA. For additional information, visit phoenixlighting.com or consult your representative.



This product complies with domestic preference requirements such as BAA or TAA. For additional information, visit phoenixlighting.com or consult your representative.

Specifications

Hardware	Marine grade (316) stainless steel
Lens	Weatherproof, clear polycarbonate
Light source	CF-150, 145W, up to 18,500 lumens CF-250, 240W, up to 32,000 lumens CF-375, 360W, up to 48,000 lumens CRI > 70 L90 > 100,000 hours per TM-21 Cool white 5000K (CW), neutral white 4000K (NW) or warm white 2700K (WW) LEDs
Power source	120-277V, 50-60Hz or 277-480V, 50-60Hz Overload, over-voltage, over-temperature and short-circuit protection
Surge protection	6kV line to line; 10kV line to earth (standard) 20 kA external SPD (optional)
Wiring	Stranded wires Standard cord grip 6 - 12 mm (0.24 - 0.47 in) Standard junction box (JBOX) Optional 17 gauge, 3 conductor cord (CD), 72.00 in (1829 mm)
Vibration	5 Grms, 100-2200 Hz
Ambient operating temperature	-40°C to +50°C Designed for use in areas allowing air flow
Humidity range	0% to 100%
Mounting	Ceiling mount 220° harp rotation
Safety cable	Safety cable included
Weight	CF-150 model - 17.4 lbs (7.9 kg) CF-250 model - 31.4 lbs (14.2 kg) CF-375 model - 44.2 lbs (20 kg)
Warranty	5 years

For IES files, see website or contact factory

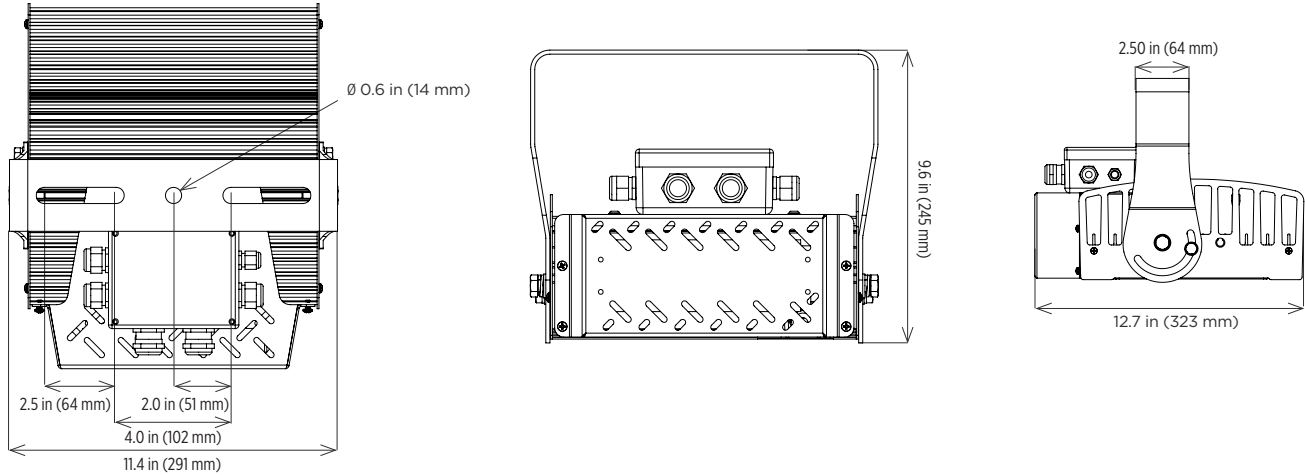
Command Flood® Series

Marine Industrial LED Floodlight

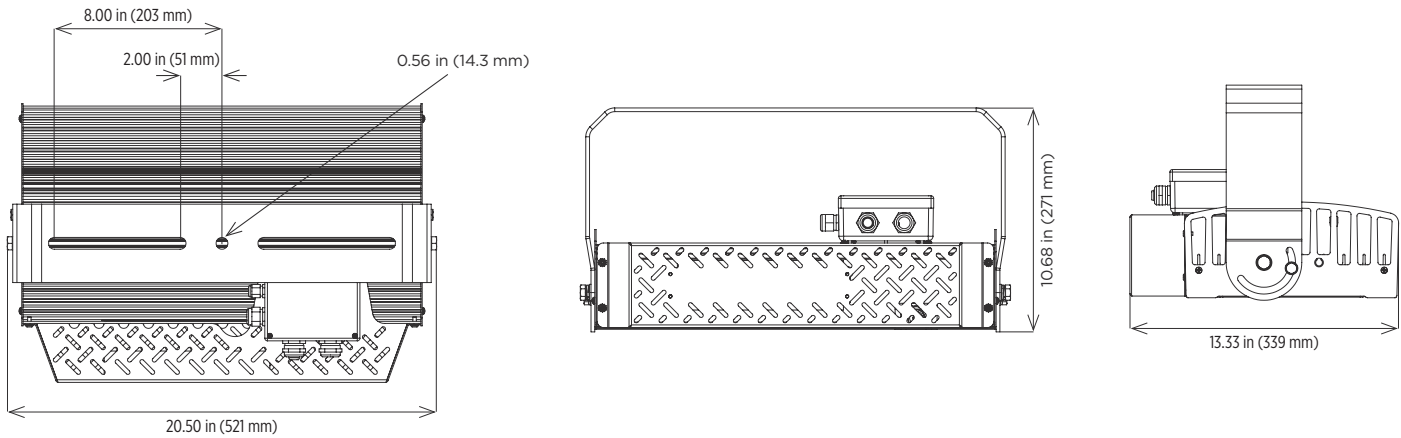
PHOENIX®
DURABILITY X DESIGN™

Dimensions

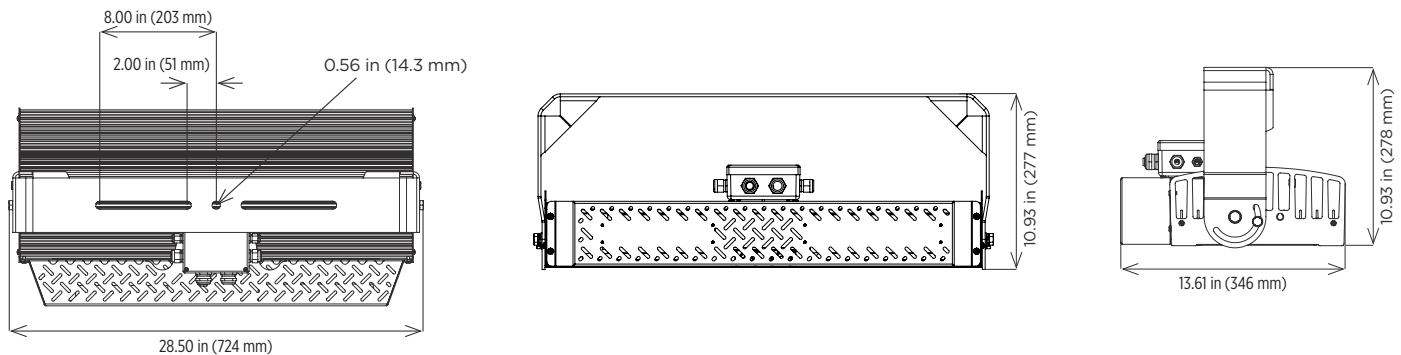
CF-150 Model



CF-250 Model



CF-375 Model



Ordering Information

Example: CF-150-SP-120-277-CW-SSHRP-CD

Fixture	Model	Optic	Voltage	CCT	Mounting Bracket ¹	Options	Surge Protection
CF	150	VS	120-277	CW	SSHRP	JBOX	SPD
	250	SP	277-480	NW	NPL ²	CD	
	375	MF		WW			
		WF					

Model	Optic	Voltage	CCT
150 145W	VS Very narrow spot	120-277 120-277V, 50-60Hz	CW Cool white (5000K)
250 240W	SP Spot	277-480 277-480V, 50-60Hz	NW Neutral white (4000K)
375 360W	MF Medium flood		WW Warm white (2700K)
	WF Wide flood		

Mounting Bracket¹

SSHRP	Adjustable 316 stainless steel mounting bracket
NPL ²	Adjustable waterline security bracket with SYM 1218.3 plug (replacement for SYM 303.X)

Options

JBOX	Junction box
CD	Provided with 72.00 in (1829 mm) cord with pigtail

Surge Protection

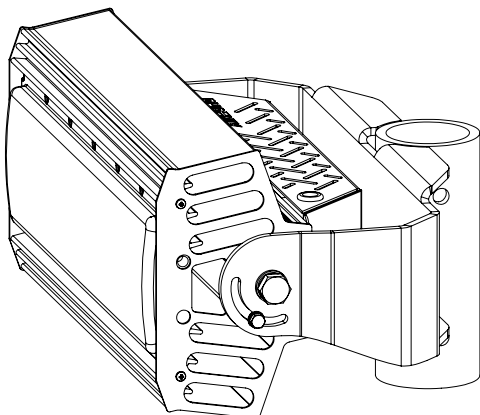
SPD	20 kA max discharge current
-----	-----------------------------

Notes

- Contact factory for additional mounting options
- Only available with CF-150 models

Special Projects: We may be able to accommodate your special projects, so please don't hesitate to ask about additional options. Minimum order quantities and/or extended lead times will apply. Contact your Phoenix representative with specific inquiries.

Adjustable Waterline Security Bracket (NPL)



Note: LED replacement for SYM 303.X

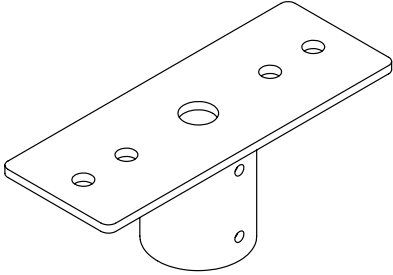
Command Flood® Series

Marine Industrial LED Floodlight

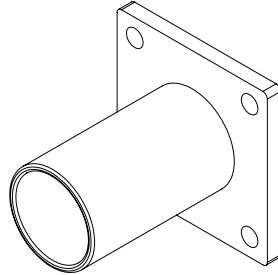
PHOENIX[®]
DURABILITY X DESIGN™

Mounting Accessories

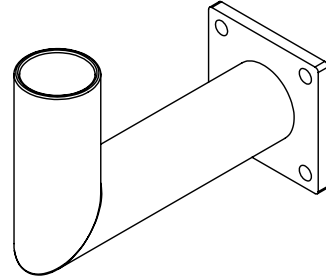
PTM-CF (Tenon Mount)



WM-2-S40 (Wall Mount)



WM90-2-S40 (90° Wall Mount)



Product design and specifications are subject to change without notice. The most current version of this specification sheet can be found at www.phoenixlighting.com.