

Our next-generation high mast fixture serving the ports and aviation markets

A purposefully designed high mast downlight with performance exceeding 140K lumens and > 140 lm/w system efficacy

Fixture will typically mount to a horizontal arm and offer flexible optical patterns, field adjustable optical control, glare shielding, and high-voltage surge protection

## Key Applications

Large area high mast  
Roadway high mast  
Shipyards high mast  
Container yard high mast  
Aviation ramps and aprons  
Prison large areas  
Military bases  
Industrial facilities

## Compliances

UL/cUL Certified to:  

- UL 1598 Suitable for Wet Locations

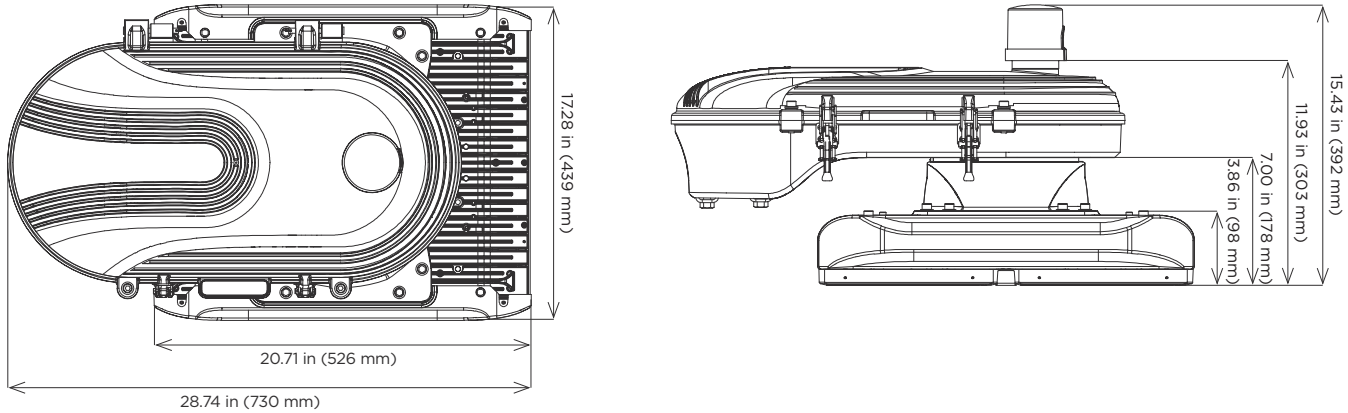
 CE  
 IP66  
 ROHS

## Specifications

<b>Construction</b>	High-strength, marine grade die-cast aluminum
<b>Finish</b>	Weather-resistant powder coat
<b>Hardware</b>	Marine grade stainless steel
<b>Light source</b>	630W, up to 105,000 lumens 960W, up to 140,000 lumens CCT: Super cool white (5700K), cool white (5000K), neutral white (4000K), warm white (2700K)
<b>Lens</b>	UV-resistant, polycarbonate lens Field rotatable optics (0 - 350° rotation)
<b>Power source</b>	120 - 277V or 277 - 480V, 50/60 Hz, 0-10V dimming
<b>Power factor</b>	> 0.925 at 277V
<b>THD</b>	< 15%
<b>Ambient operating temperature</b>	-30°C to +50°C
<b>Mounting</b>	+/- 5° tilt, fits mast arm 1.65 - 2.375 inch (42 - 60 mm OD)
<b>Operating lifetime</b>	L80 > 100,000 hours per TM-21
<b>EPA (wind load)</b>	1.69 sq. ft (.15 m2)
<b>Fixture weight</b>	630W/960W model - 69 lb (31.5 kg)
<b>Dimensions</b>	28.7 in (730 mm) x 17.3 in (439 mm) x 11 in (283 mm)
<b>Vibration</b>	ANSI C136.31 3G
<b>Salt Spray</b>	1000 hrs per ASTM B117
<b>Warranty</b>	5 years

For IES files, see website or contact factory

## Dimensions



## Ordering Information

Example: SOA-960W-D-LX-277-480-40K

Series	Wattage	Dimming	Optic	Voltage	CCT
SOA	630W	D <sup>2</sup>	LV	120-277	57K
	960W		LX <sup>1</sup>	277-480 <sup>1</sup>	50K
					40K <sup>1</sup>
					27K <sup>3</sup>

Wattage	Dimming	Optic	Voltage	CCT
630 Up to 630W and 105,000 lumens	D <sup>2</sup> 0-10V dimming	LV Type IV LX <sup>1</sup> Type V	120-277 120-277V, 50/60Hz 277-480 <sup>1</sup> 277-480V, 50/60Hz	57K 5700K 50K 5000K 40K <sup>1</sup> 4000K 27K <sup>3</sup> 2700K

### Notes

- 1 Indicates standard option for fast delivery.
- 2 Comes standard with 7-pin twistlock receptacle and shorting cap.
- 3 Contact factory, alternate color temperatures 2200K, 1800K may be available.

**Special Projects:** We may be able to accommodate your special projects, so please don't hesitate to ask about additional options. Minimum order quantities and/or extended lead times will apply. Contact your Phoenix representative with specific inquiries.

## Accessories (order separately)

**Synapse Twist-lock Lighting Controller**  
SYN-TL7-HVG (120-480V)

**Glare Guard Kit**  
KIT, SOA, GLARE GUARD

Product design and specifications are subject to change without notice. The most current version of this specification sheet can be found at [www.phoenixlighting.com](http://www.phoenixlighting.com).